

# 5900 series manual ICU doors

Automatic door technology as you've never seen it before!



**record**

your global partner for entrance solutions



# 5900 series manual ICU doors

***Our top priority is your complete satisfaction with the quality of our products and services.***

**By this we mean:**

- Individual, professional advice in choosing building access solutions for people and goods;
- A wide range of high-tech products to meet the requirements of modern building automation;
- Elegant designs with numerous options, compatible with any architectural style or building plan.

There are 15 record subsidiaries in Europe and the USA, and we have over 50 years' experience in mechanics, sensor technology, electronics and software for automatic door systems and related products.

***Talk to us about your needs!***

*Thank you for your confidence in our company; we look forward to hearing from you.*



**record**

your global partner for entrance solutions

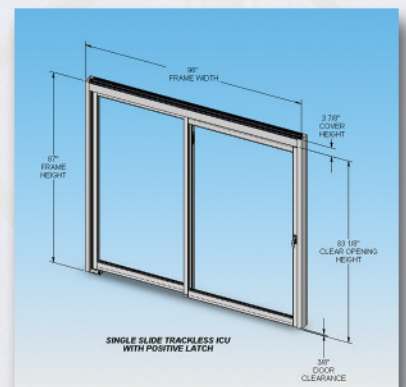
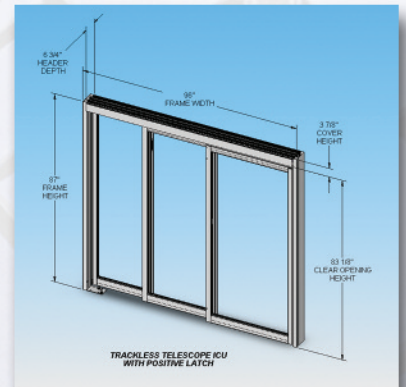
Health care environments are challenging in that the need for a door way to rapidly provide break out capability in the event of emergency patient care is always evident.

The solutions specifiers may confidently choose are ICU manual door systems. ICU doors are used to provide separation between patient rooms and other areas of the hospital.

ICU doors are specified to eliminate critical life safety situations arising when possible delays may result due to hospital personnel hesitating momentarily when transporting patients due to slow moving doorways.

record-usa's manual sliding ICU door packages are available in multiple configurations that allow the architect total freedom in the design of a patient facility. One may select from two, three or four panel options, both with or without floor tracks. Other possibilities include either three or six panel telescopic designs, again both with and without floor tracks. To satisfy all of the requirements of the healthcare facility, the doors may be specified to breakaway either into the patient room, or out into the hallway— whichever option best allows for quick and unimpeded transportation of patients either in wheelchairs or on gurneys.

Note: With trackless units, breakaway capability may only be achieved for the sidelite assembly and the active sliding door leaf when the doors reach the fully open position. With standard pin guide track units sidelite and sliding door assemblies breakout from any position during the slide travel of the door.



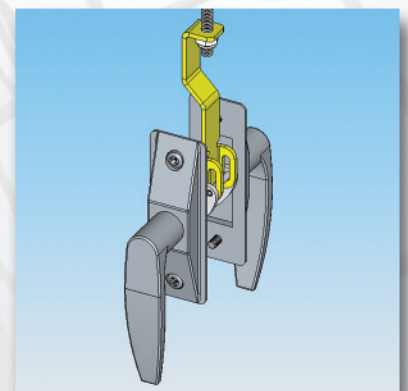
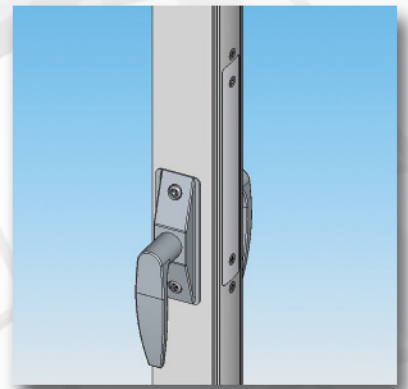
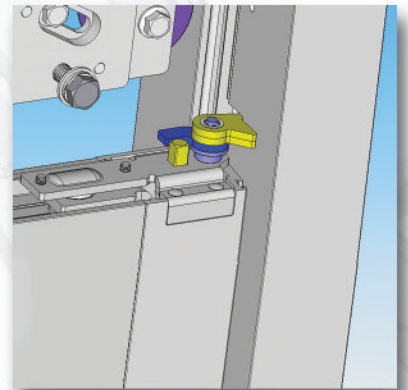
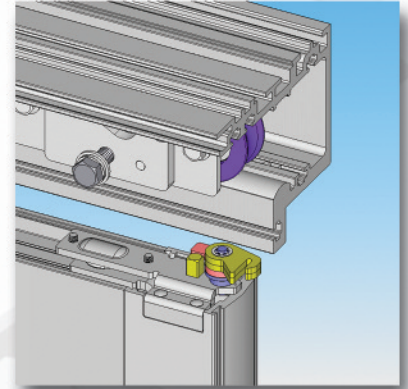
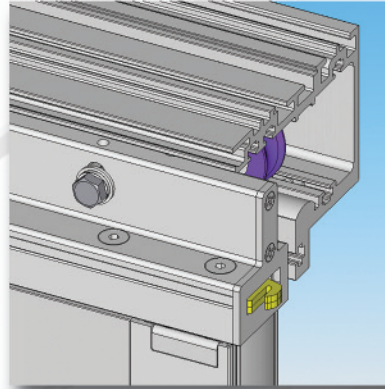


Header sight lines are identical for all ICU products

4900 series ALL-IN-ONE doors have overhead concealed manual door closers with hold open feature

Unique positive latching feature throws latch up into the header system to prevent possible entanglement of IV wires

Trackless telescopic break away units now available



## 5900 series manual ICU doors positive latching

record-usa's unique positive latching system on their manual ICU doors is different from that of the competition in that it latches inside the header and not on exposed vertical members which is quite common.

Studies have shown that manual ICU doors that incorporate side latching systems offer further complications in crisis situations in that patient IV wires may become entangled and cause injury or slow the required hasty transportation of the patient in an emergency.

Used in tandem with an easy to grasp handle system provided on each side of the door itself, the positive latching system secures the active leaf firmly in place when the door is closed. This prevents the all too common occurrence of the ICU door gently re-opening when softly slid shut by the nursing staff. Since the door remains securely shut, the patient is allowed to rest peacefully without fear of interruption common in active hospital environments.

Once the positive latch handle is depressed, breakaway capability is once again readily achievable.



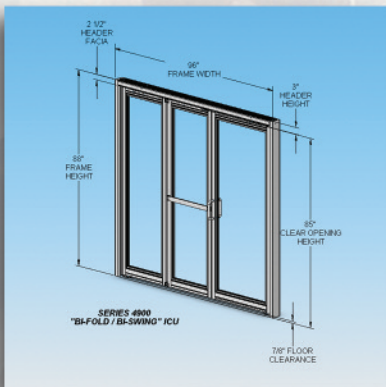
## 4900 series ALL-IN-ONE bi-fold/bi-swing manual doors



Introducing the new record-usa ALL-IN-ONE door package. Ideally used to eliminate the possible impedence in a hallway of hospital personnel with patients caused by open door leaves, the dual folding-swinging ALL-IN-ONE door system assures that narrow hallways remain clear of possible obstructions that other door systems may cause.



In the event of an emergency, standard ICU packages may cause concern by breaking into the hallway to allow quick egress from the patient room. Doors of this type also may rely on a floor track system that slows a patient's travel while on a gurney or may lead to discomfort as they proceed over the track. Doors of this type are also usually manufactured with hard to grasp handles that are very difficult to open when the nurse may have his/her hands full. Nurses now may easily back into the swing side of the door system and enter the doorway even when handling food trays, patient charts, etc.



When large doorways are desired to allow the simple transportation of carts, wheelchairs or other equipment, standard ICU doors are provided with a breakout feature to allow the door panels to fold in one direction and stack. This design feature provides a larger than normal clear doorway opening than swinging doors may allow. But when choosing record usa's ALL-IN-ONE door package the requirement of a breakaway feature is eliminated simply by opening the bi-fold and bi-swing door quickly and easily.

This ingenious three panel door system offers the combination of both a folding door and a double acting swing door system. Inherent to the creativity of the design is the ability to select which side of the unit the folding door panels are on and which side the swinging door unit is on – whichever allows the quickest egress should an emergency situation arise.

When the swing and fold door reach the fully open 90 degree position, the door will remain open to allow ample time to pass carts and/or patients in wheelchairs, etc. without the concern of the door closing on the patient or the worry of an inconvenient floor track.



your global partner for entrance solutions

4910 Starcrest Drive  
Post Office Box 3099  
Monroe, NC 28111-3099

800 438-1937  
704 289-2024 Fax  
[www.record-usa.com](http://www.record-usa.com)