



GYRO TECH™

by NABCO Entrances Inc.

Where quality and service are automatic

WWW.NABCOENTRANCES.COM

1-877-622-2694

JOB NAME: _____

LOCATION: _____

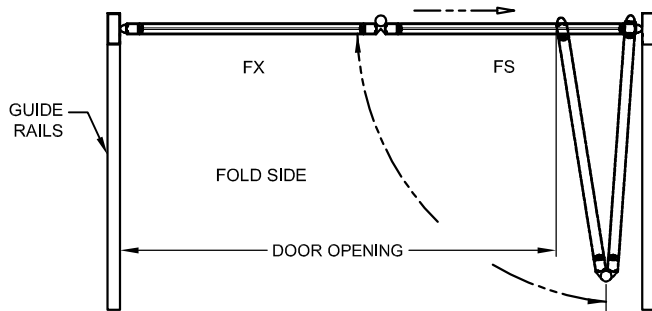
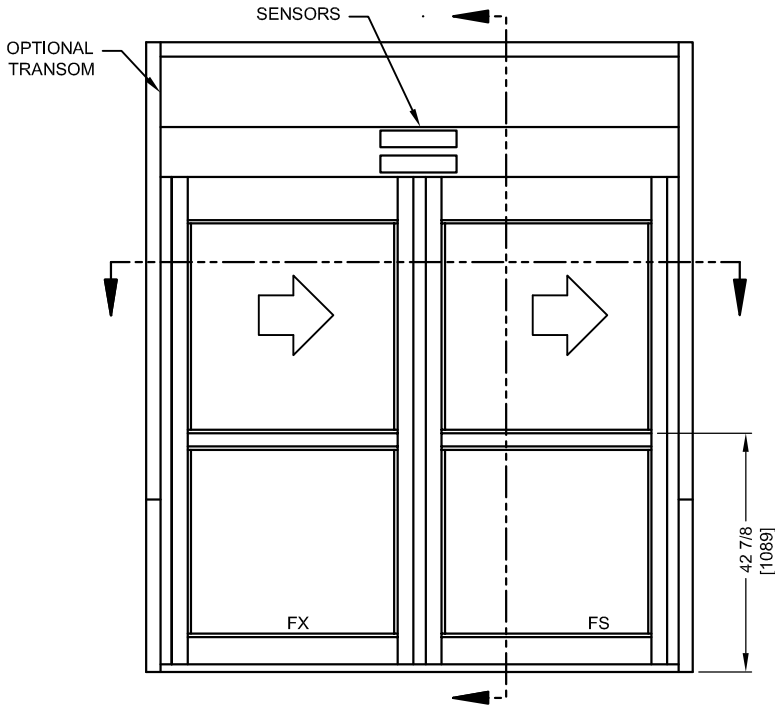
DISTRIBUTOR: _____

DOOR #: _____ DATE: _____

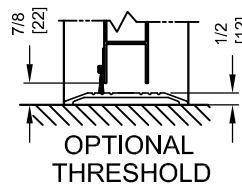
SHEET _____ OF _____

GT1400-01L

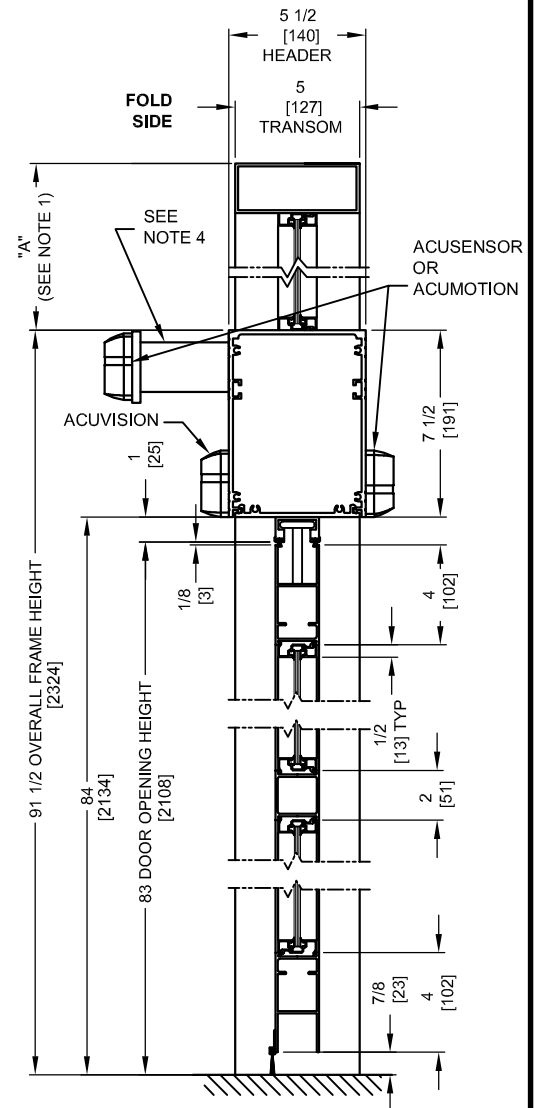
SINGLE FOLD
DOOR
LEFT HAND



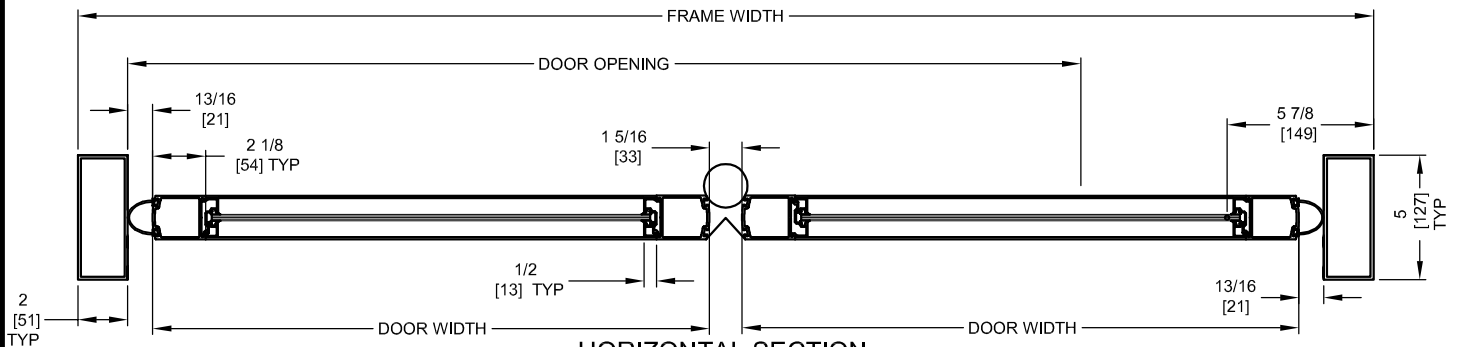
EXTERIOR ELEVATION/PLAN



OPTIONAL THRESHOLD



VERTICAL SECTION



HORIZONTAL SECTION

	DOOR OPENING	FULL BREAKOUT OPENING	FRAME WIDTH	DOOR WIDTH
MINIMUM	30" [762]	36 1/8" [918]	3'-8" [1118]	18 1/2" [470]
	33 3/4" [857]	40 1/8" [1019]	4'-0" [1219]	20 1/2" [521]
	39 7/16" [1002]	46 1/8" [1172]	4'-6" [1372]	23 1/2" [597]
	45 1/8" [1146]	52 1/8" [1324]	5'-0" [1524]	26 1/2" [673]
MAXIMUM	48" [1219]	55 1/8" [1400]	5'-3" [1600]	28" [711]

NOTES:

1. TRANSOM HEIGHT (DIMENSION "A") IS DETERMINED PER JOB REQUIREMENTS.
2. POWER TO HEADER WILL BE 115VAC, 10 AMP PER OPERATOR PROVIDED BY ELECTRICAL CONTRACTOR.
3. STANDARD FINISHES ARE 204 CLEAR AND 313 DARK BRONZE. OTHER FINISHES ARE AVAILABLE.
4. SENSOR MOUNTING TUBE LENGTH VARIES BY DOOR WIDTH.
5. MASONRY OPENING EQUALS FRAME WIDTH +1/2" AND FRAME HEIGHT +1/4".