



DEPARTMENT OF PERMITTING, ENVIRONMENT, AND REGULATORY AFFAIRS (PERA) BOARD AND CODE ADMINISTRATION DIVISION **NOTICE OF ACCEPTANCE (NOA)**

MIAMI-DADE COUNTY PRODUCT CONTROL SECTION 11805 SW 26 Street, Room 208 Miami, Florida 33175-2474 T (786) 315-2590 F (786) 315-2599 www.miamidade.gov/pera/

Nabco Entrances, Inc. 582 W. 18717 Gemini Dr. P.O. Box 906 Muskego, WI 53150

SCOPE:

This NOA is being issued under the applicable rules and regulations governing the use of construction materials. The documentation submitted has been reviewed and accepted by Miami-Dade County PERA -Product Control Section to be used in Miami Dade County and other areas where allowed by the Authority Having Jurisdiction (AHJ).

This NOA shall not be valid after the expiration date stated below. The Miami-Dade County Product Control Section (In Miami Dade County) and/or the AHJ (in areas other than Miami Dade County) reserve the right to have this product or material tested for quality assurance purposes. If this product or material fails to perform in the accepted manner, the manufacturer will incur the expense of such testing and the AHJ may immediately revoke, modify, or suspend the use of such product or material within their jurisdiction. PERA reserves the right to revoke this acceptance, if it is determined by Miami-Dade County Product Control Section that this product or material fails to meet the requirements of the applicable building code.

This product is approved as described herein, and has been designed to comply with the Florida Building Code, including the High Velocity Hurricane Zone.

DESCRIPTION: Series "System GT 1175" Automatic Aluminum Sliding Glass Door w/ full Breakout

APPROVAL DOCUMENT: Drawing No. 11-212, titled "System GT 1175 BiPart Slider-Full open", sheets 1 through 9 of 9, prepared by Engco, Inc., dated 10/14/11 and last revised on DEC 27, 2011, signed and sealed by Pedro De Figueiredo, P.E., bearing the Miami-Dade County Product Control Renewal stamp with the Notice of Acceptance number and expiration date by the Miami-Dade County Product Control Section.

MISSILE IMPACT RATING: Large and Small Missile Impact Resistant

Limitations:

- 1. Max. panel size not to exceed 47-1/4" W X 83" H.

LABELING: Each unit shall bear a permanent label with the manufacturer's name or logo, city, state and series and following statement: "Miami-Dade County Product Control Approved", unless otherwise noted herein.

RENEWAL of this NOA shall be considered after a renewal application has been filed and there has been no change in the applicable building code negatively affecting the performance of this product.

TERMINATION of this NOA will occur after the expiration date or if there has been a revision or change in the materials, use, and/or manufacture of the product or process. Misuse of this NOA as an endorsement of any product, for sales, advertising or any other purposes shall automatically terminate this NOA. Failure to comply with any section of this NOA shall be cause for termination and removal of NOA.

ADVERTISEMENT: The NOA number preceded by the words Miami-Dade County, Florida, and followed by the expiration date may be displayed in advertising literature. If any portion of the NOA is displayed, then it shall be done in its entirety.

INSPECTION: A copy of this entire NOA shall be provided to the user by the manufacturer or its distributors and shall be available for inspection at the job site at the request of the Building Official.

This NOA revises & renews NOA # 06-1211.12 and consists of this page 1 and evidence pages E-1, as well as approval document mentioned above.

The submitted documentation was reviewed by Ishaq I. Chanda, P.E.

12/29/11



NOA No 11-1115.07 Expiration Date: January 17, 2013 Approval Date: January 05, 2012 Page 1

NOTICE OF ACCEPTANCE: EVIDENCE SUBMITTED

A. DRAWINGS

1. Manufacturer's die drawings and sections (transferred from file # **06-1211.12**)
2. Drawing No. **11-212**, titled "System GT 1175 BiPart Slider-Full open", sheets 1 through 9 of 9, prepared by Engco, Inc., dated 10/14/11 and last revised on DEC 27, 2011, signed and sealed by Pedro De Figueiredo, P.E.

B. TESTS (transferred from file # **06-1211.12**) Original test conducted per SFBC, PA 201, 202 & 203-94, now known as FBC, TAS 210, 202 & 203-94

1. Test reports on
 - 1) Air Infiltration Test, per FBC TAS 202-94
 - 2) Uniform Static Pressure Test, Loading per FBC PA 202-94
 - 3) Water Infiltration Test per FBC, TAS 202-94 (Not Performed)
 - 4) Forced Entry Test, per FBC, TAS 202-944.
 - 5) Large Missile Impact Test per FBC, TAS 203-94
 - 6) Cyclic Wind Pressure Test per FBC, TAS 204-94

Along with installation diagram of aluminum bipart glass slider, prepared by Hurricane Engineering & Testing Inc Test Report No. **HETI-00-881** and **HETI-00-882**, both dated April 11, 2000, signed and sealed by Hector M. Medina, P.E.(Revised marked Dwgs submitted on 09/05/01, addendum letters dated April 18, 2006 and April 24, 2006, issued by HETI, signed & sealed by Ms. Ivon Ghia, P. E. and Hector M. Medina, P.E., respectively)

C. CALCULATIONS

1. Statement letters of conformance to FBC 2007 & FBC 2010, dated NOV 09, 2011, prepared by Engco, Inc., signed and sealed by Pedro De Figueiredo, P.E.
2. Anchor verification calculations, complying w/ FBC 2004, prepared by Engco, Inc., dated 11/08/05, signed and sealed by Pedro De Figueiredo, P.E.(transferred from file # 05-1205.03 & file # **06-1211.12**)
3. Glazing complies w/ ASTM-1300-02 & 04

D. QUALITY ASSURANCE

1. Miami Dade Department of Permitting, Environment, and Regulatory Affairs (PERA).

E. MATERIAL CERTIFICATIONS

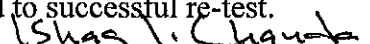
1. Notice of Acceptance NOA #**11-0325.05** issued to Solutia, Inc. for "Saflex, clear & color interlayer", expiring on 05-21-2016.
2. Tensile test report No. HETI-00-4166 dated 8/ 2000 per ASTM E-8 for Zinc Tek anchor into aluminum, issued by Hurricane Engineering & Testing Inc, signed & sealed by Hector M. Medina, P.E.
3. Tensile test report No. HETI-00-T051 dated 10-10-2000 per ASTM E-8 for aluminum extrusion, issued by Hurricane Engineering & Testing Inc, signed and sealed by Hector M. Medina, P.E.

F. STATEMENTS

1. Statement letters of conformance to FBC 2007 & FBC 2010 and "No financial interest, dated Nov 09, 2011, prepared by Engco, Inc., signed & sealed by Pedro De Figueiredo, P.E.
2. Statement letter dated 11/11/11, issued by Architectural testing of pending schedule test by Nabco, signed & sealed by Joseph A. Reed, P. E.
3. Addendum letter to test reports **HETI-00-888** and **HETI-00-889**, dated April 18, 2006, issued by HETI, signed & sealed by Ms. Ivon Ghia, P. E.

G. OTHER

1. This NOA **revises & renews NOA # 06-1211.12**, expiring 01/17/13.
2. Conditional one year, Non-renewable approval, subjected to successful re-test.


Ishaq I. Chanda, P.E.

Product Control Examiner
NOA No 11-1115.07

Expiration Date: January 17, 2013
Approval Date: January 05, 2012

SYSTEM GT 1175

BIPART AUTOMATIC SLIDER FULL OPEN (So-Sx-Sx-So)
 LARGE AND SMALL IMPACT RESISTANT
 RATED: +60, -70 PSF

MANUFACTURER:



GYRO TECH
 S82 W18717 GEMINI DRIVE
 P.O. BOX 906 MUSKEGO,
 WISCONSIN 53150
 PHONE: (877) 622-2694
 FAX: (262) 679-2505

PRODUCT:

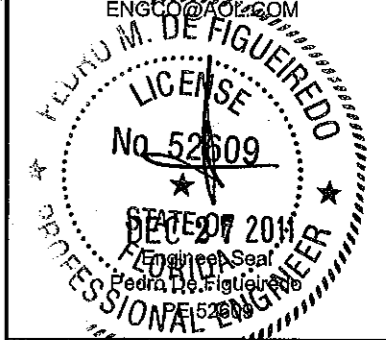
SYSTEM GT1175

BIPART SLIDER
 FULL OPEN
 LARGE MISSILE IMPACT
 AUTOMATIC SLIDING GLASS DOOR

ENGINEERING:

EngCo Inc.

CA 8116
 5595 ORANGE DR. 201
 DAVIE, FL. 33314
 Tel.: (954) 585-0304
 ENGCO@GOM



MIAMI-DADE BCCO:

PRODUCT RENEWED
 as complying with the Florida
 Building Code
 Acceptance No. 11-1115.07
 Expiration Date 01/17/2013
 By: *Ishag / Han J*
 Miami Dade Product Control

Date: 10/14/2011
 Scale: NA
 Design by: PPMF

Drawing Number
11-212

Sheet
1 of 9

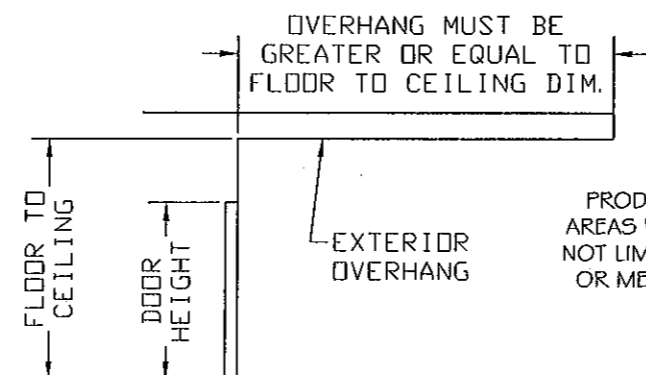
GENERAL NOTES:

- 1- CODE: THIS PRODUCT HAS BEEN TESTED AND DESIGNED IN ACCORDANCE WITH THE FLORIDA BUILDING CODE 2007/2010 EDITIONS INCLUDING THE HIGH VELOCITY HURRICANE ZONES (HVHZ).
- 2- DEFINITION: THIS PRODUCT IS AN ALUMINUM IMPACT RESISTANT (LARGE & SMALL MISSILE) AUTOMATIC SLIDING GLASS DOOR. THIS PRODUCT CAN BE USED AT ANY ELEVATION WITHOUT HURRICANE PROTECTIVE SHUTTERS.
- 3- POSTING:
 "SYSTEM GT 1175 - LARGE MISSILE IMPACT
 ALUMINUM AUTOMATIC SLIDING GLASS DOORS
 NABCO ENTRANCE INC. - MUSKEGO - WI
 DADE COUNTY PRODUCT CONTROL APPROVED"
- 4- DESIGN LOADS: THE DESIGNED LOADS MUST BE CALCULATED BY A PROFESSIONAL ARCHITECT OR ENGINEER FOR EACH SPECIFIC PROJECT. THE CALCULATED DESIGNED PRESSURE MUST NOT EXCEED THE APPROVED PRESSURE RATING. (+60,-70 PSF)
- 5- MATERIAL: ALL ALUMINUM PARTS TO BE 6063-T6 ALLOY OR AS NOTED AND GLAZING TO BE LAMINATED GLASS AS PER SHEET A3 AS SPECIFIED ON THIS APPROVAL. DISSIMILAR MATERIALS THAT COME IN CONTACT WITH DOOR FRAMING SHALL MEET THE REQUIREMENTS OF THE FBC SECTION 2003.8.4.
- 6- FASTENERS: ASSEMBLY SCREWS AND ANCHORS SHALL BE AS SPECIFIED IN THE CURRENT SET OF DRAWINGS. INSTALLATION AND LOADS AS PER THIS APPROVAL. ANCHOR SPACING AND LOADS MUST NOT EXCEED THE MAXIMUM LIMITS SPECIFIED BY THIS APPROVAL.
- 7- USE: IT SHALL BE THE RESPONSIBILITY OF THE CONTRACTOR, ARCHITECT OR ENGINEER OF RECORD TO VERIFY THE FOLLOWING:
 - 7.1- THE STABILITY OF THE STRUCTURE WHERE THE PRODUCT IS TO BE ATTACHED INSURING PROPER ANCHORAGE.
 - 7.2- THE SITE SPECIFIC PROJECT CRITERIA, SUCH AS BUT NOT LIMITED TO, LOCAL CODE REQUIREMENTS, DESIGNED PRESSURES ETC.
 - 7.3- THAT THIS APPROVAL IS ADEQUATE TO THE SPECIFIC PROJECT.
- 8- LIMITATION: DOORS ARE NOT TO BE USED WHERE WATER INFILTRATION REQUIREMENT MUST BE MET, EXCEPT IN LOCATIONS IN COMPLIANCE WITH ILLUSTRATION "Z" IN THIS PAGE.

TABLE OF CONTENTS:

SHEET	CONTENTS
1-9	TABLE OF CONTENTS AND GENERAL NOTES
2-9	DOOR COMPONENTS
3-9	DOOR COMPONENTS, MATERIAL LIST & GLAZING DETAILS
4-9	TYPICAL ELEVATION, FLOOR PLAN AND ANCHORAGE LAY-OUT
5-9	TYPICAL ELEVATION, FLOOR PLAN AND ANCHORAGE LAY-OUT
6-9	SECTION DETAILS
7-9	SECTION DETAILS
8-9	SECTION DETAILS
9-9	HARDWARE
TOTAL # OF SHEETS: 9	

ILLUSTRATION "Z"



PRODUCT CAN BE ONLY USED IN AREAS WHERE THE DOOR DESIGN IS NOT LIMITED BY WATER INFILTRATION OR MEETING THE CRITERIA AS PER ILLUSTRATION Z.

DOOR COMPONENTS



GYRO TECH

S82 W18717 GEMINI DRIVE
P.O. BOX 906 MUSKEGO,
WISCONSIN 53150
PHONE: (877) 622-2694
FAX: (262) 679-2505

PRODUCT:

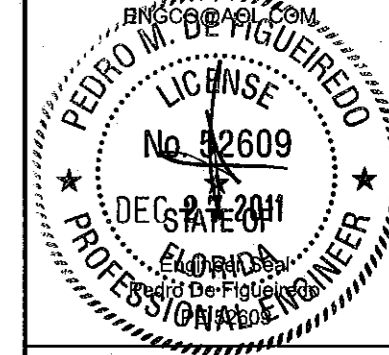
SYSTEM GT1175

BIPART SLIDER
FULL OPEN
LARGE MISSILE IMPACT
AUTOMATIC SLIDING GLASS DOOR

ENGINEERING:

EngCo Inc.

CA 8116
5595 ORANGE DR. 201
DAVIE, FL. 33314
Tel.: (954) 585-0304
ENGCO@AOL.COM



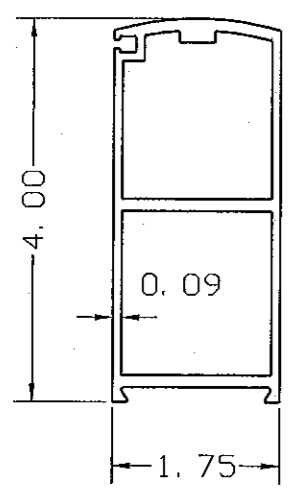
MIAMI-DADE BCCO:

PRODUCT RENEWED
as complying with the Florida
Building Code
Acceptance No. 11-111507
Expiration Date 1/17/13
By Ighor J. Chaves
Miami Dade/Product Control

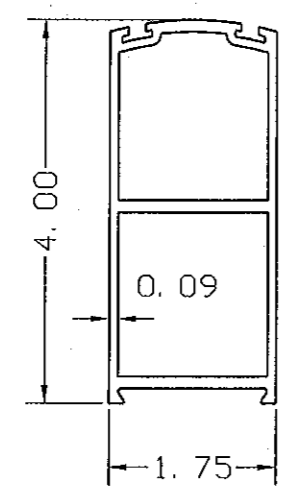
Date: 10/14/2011
Scale: NA
Design by: PPMF

Drawing Number
11-212

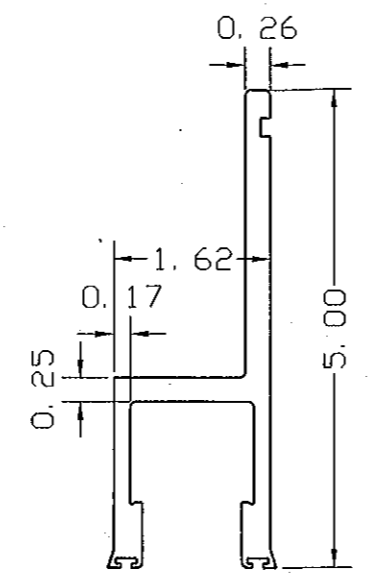
Sheet
2 of 9



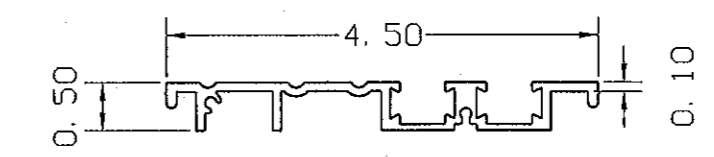
1413288
4" PIVOT STILE
ALLOY: 6063-T6



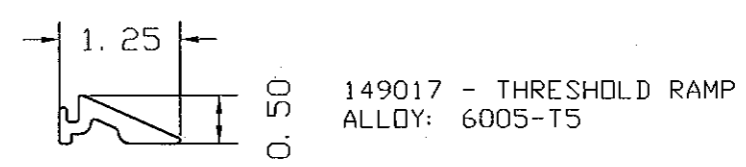
1413289
4" STILE
ALLOY: 6063-T6



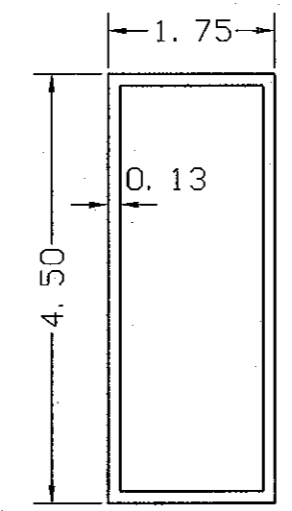
149014 - DOOR CARRIER
ALLOY: 6063-T6



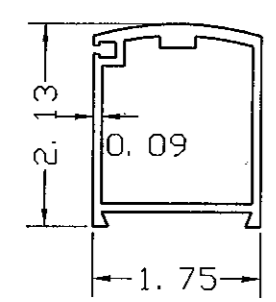
149016 - THRESHOLD
ALLOY: 6005-T5



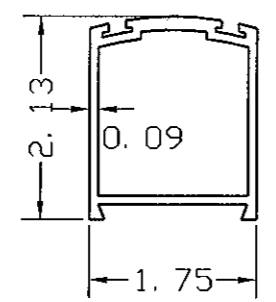
149017 - THRESHOLD RAMP
ALLOY: 6005-T5



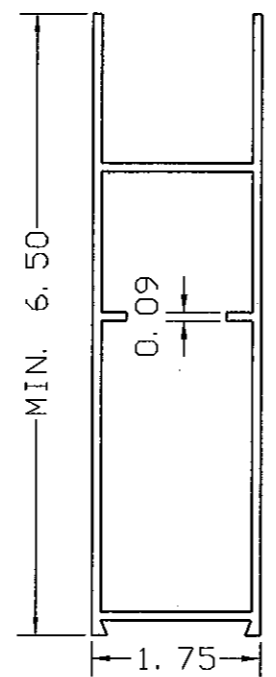
242497 - JAMB EXT.
ALLOY: 6063-T5



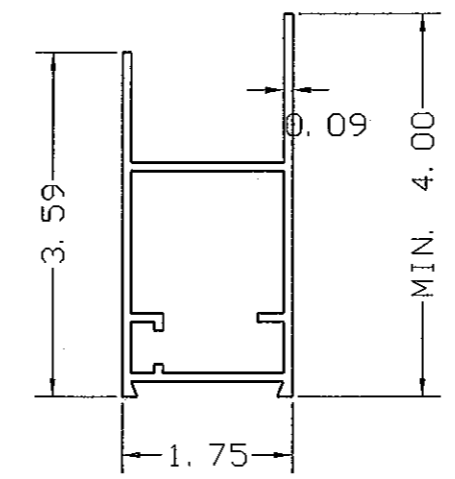
149086
2" PIVOT STILE
ALLOY: 6063-T6



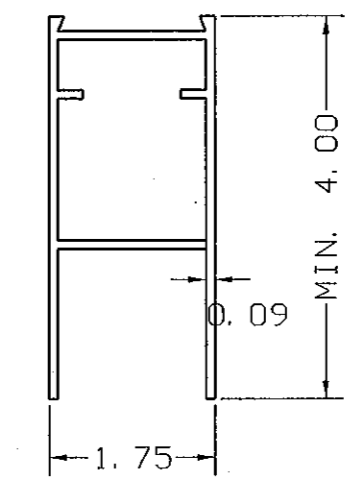
148922
STILE
ALLOY: 6063-T6



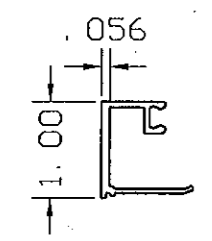
149088
TOP RAIL
SIDELITE
ALLOY: 6063-T6



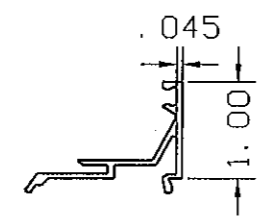
149359
TOP RAIL DOOR
ALLOY: 6063-T6



149085
BOTTOM RAIL
DOOR & SIDELITE
ALLOY: 6063-T6

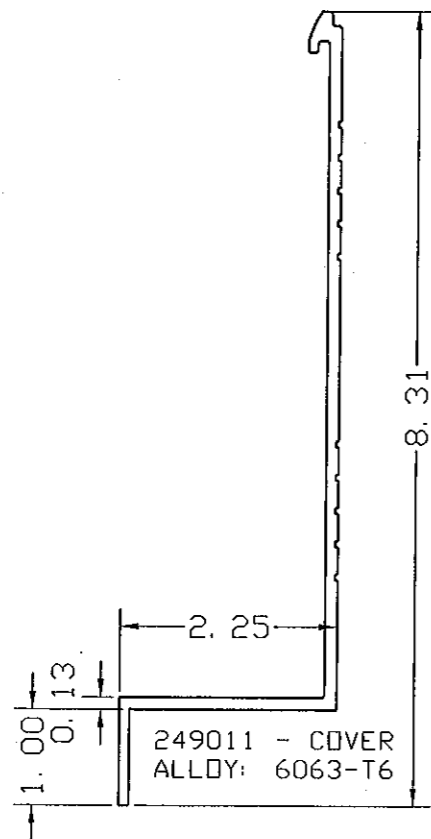
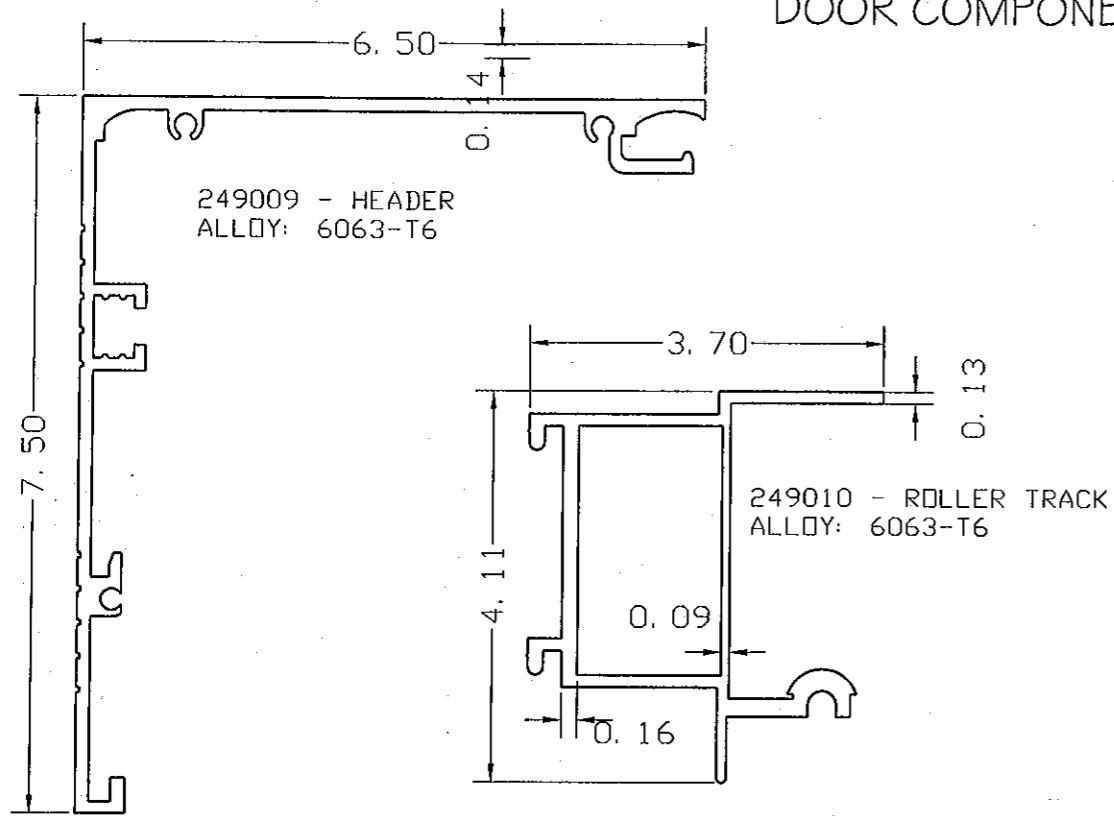


142335 GLASS
STOP CHANNEL
ALLOY: 6063-T5



142336 GLASS
STOP BASE
ALLOY: 6063-T5

DOOR COMPONENTS



MATERIAL LIST

DESCRIPTION	NABCO PART#	COMPOSITION	MANUFACTURER
HEADER	249009	6063-T6	W. L. BONNEL CO.
ROLLER TRACK	249010	6063-T6	W. L. BONNEL CO.
COVER	249011	6063-T6	W. L. BONNEL CO.
DOOR CARRIER	149014	6063-T6	W. L. BONNEL CO.
TOP RAIL-SIDELITE	149088	6063-T6	W. L. BONNEL CO.
4" TOP RAIL DOOR	149359	6063-T6	W. L. BONNEL CO.
4" BOTTOM RAIL	149085	6063-T6	W. L. BONNEL CO.
2" PIVOT STILE	149086	6063-T6	W. L. BONNEL CO.
4" PIVOT STILE	1413288	6063-T6	W. L. BONNEL CO.
2" STILE	148922	6063-T6	W. L. BONNEL CO.
4" STILE	1413289	6063-T6	W. L. BONNEL CO.
THRESHOLD	149016	6005-T5	W. L. BONNEL CO.
FLOOR TRACK RAMP	149017	6005-T5	W. L. BONNEL CO.
ANGLE	145840	6061-T6	W. L. BONNEL CO.
JAMB	242497	6063-T5	W. L. BONNEL CO.
GLASS STOP BASE	142336	6063-T5	W. L. BONNEL CO.
GLASS STOP CHANNEL	142335	6063-T5	W. L. BONNEL CO.



GYRO TECH
 S82 W18717 GEMINI DRIVE
 P.O. BOX 906 MUSKEGO,
 WISCONSIN 53150
 PHONE: (877) 622-2694
 FAX: (262) 679-2505

PRODUCT:
SYSTEM GT1175
 BIPART SLIDER
 FULL OPEN
 LARGE MISSILE IMPACT
 AUTOMATIC SLIDING GLASS DOOR

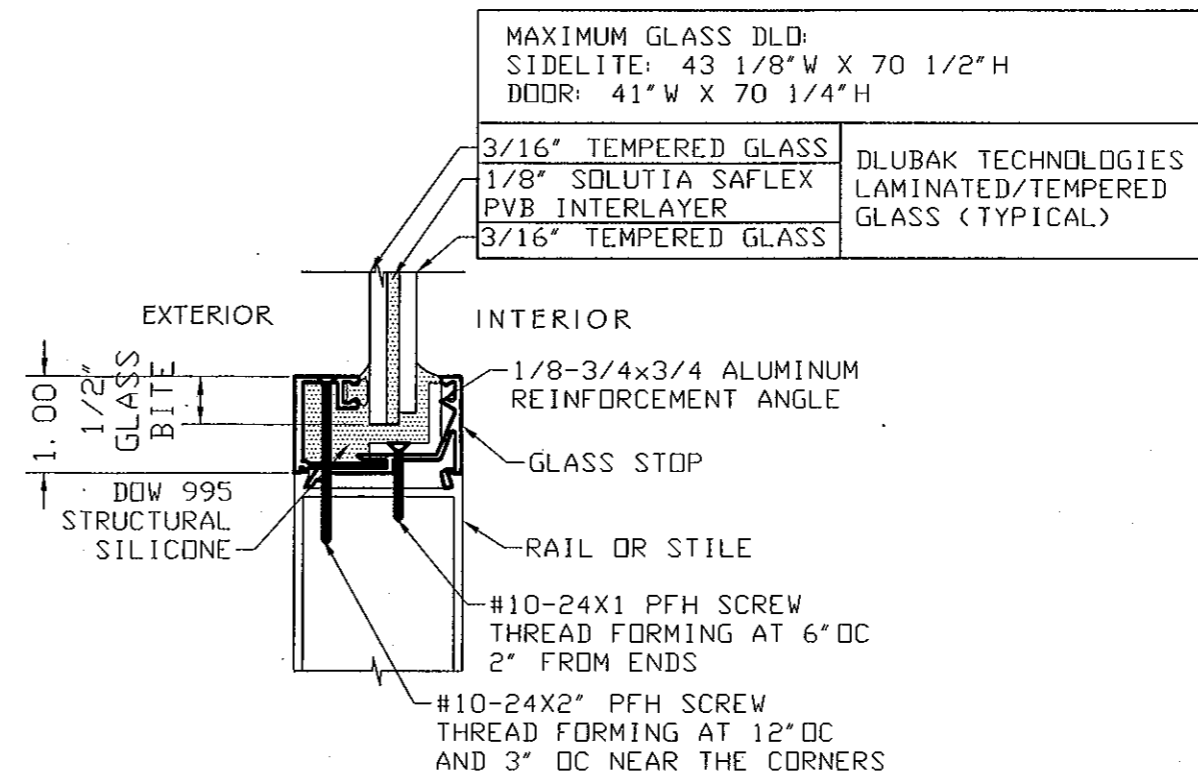
ENGINEERING:
EngCo Inc.
 CA 9116
 5595 ORANGE DR. 201
 DAVIE, FL 33314
 Tel: (954) 585-0304
 ENGC@AOL.COM

MIAMI-DADE BCCO:
PRODUCT RENEWED
 as complying with the Florida
 Building Code
 Acceptance No. 11-1115-07
 Expiration Date 01/17/13
 By Shas. I. Chant
 Miami Dade Product Control

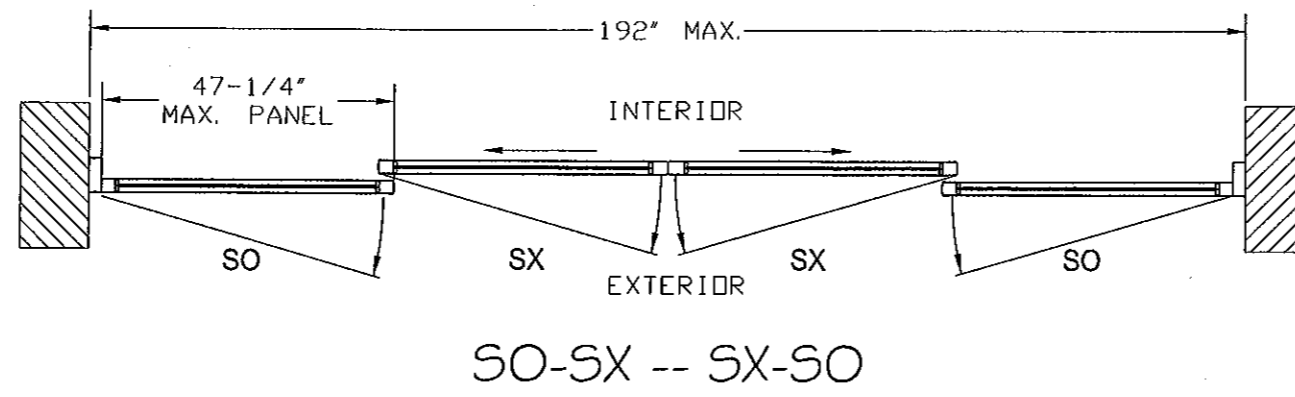
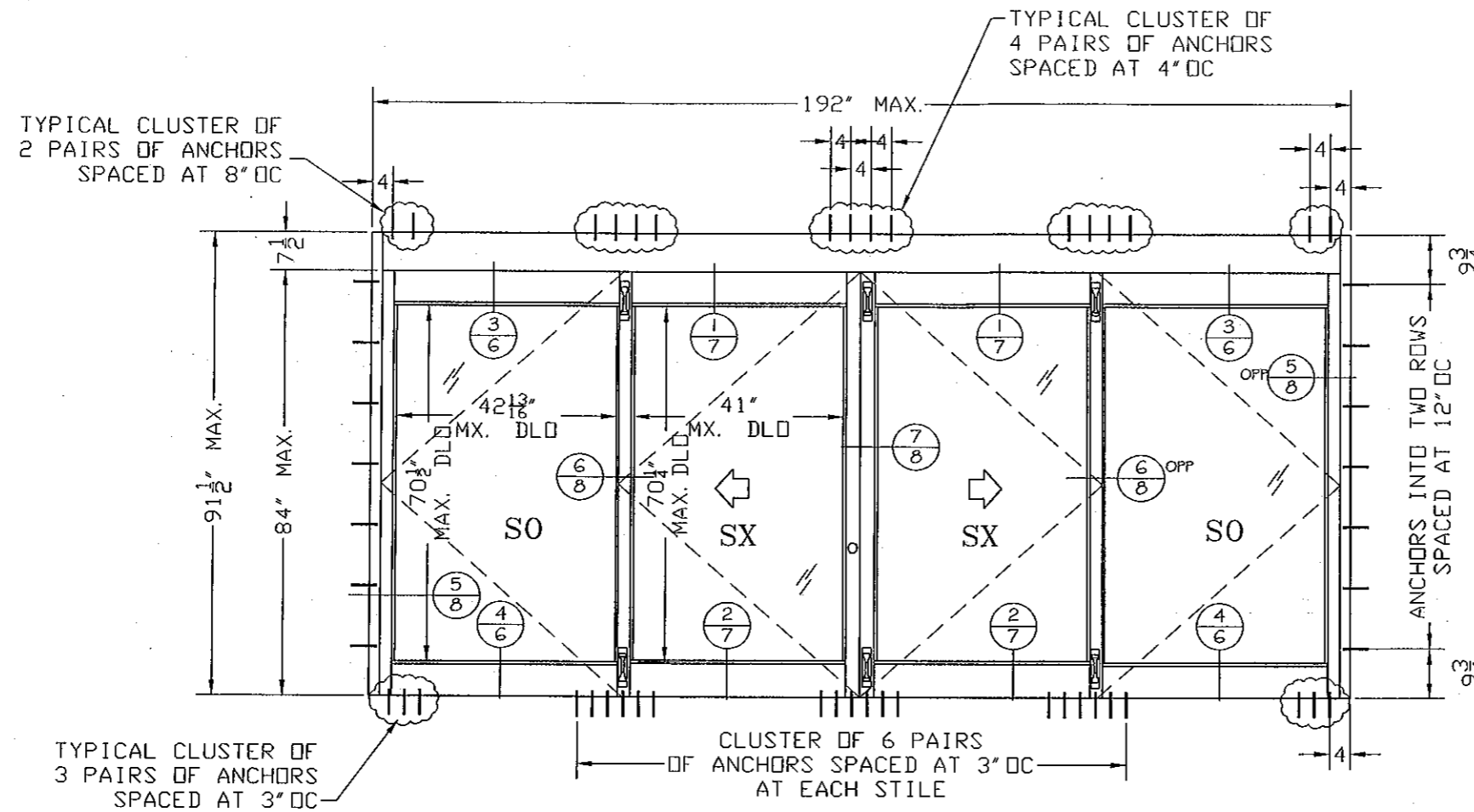
Date: 10/14/2011
 Scale: NA
 Design by: PPMF

Drawing Number
11-212
 Sheet
3 of 9

TYPICAL GLAZING DETAIL
 ENTIRE PERIMETER ALL LITES



TYPICAL ELEVATION, FLOOR PLAN AND ANCHORAGE SPACING



ANCHOR TYPES:	LOCATION
A- 1/4" ITW TAPCON BY BUILDEX WITH 1 3/4" MIN. EMBEDMENT INTO 3192 psi CONCRETE	ALL
C- 1/4-14 ZINC TEK SCREW BY BROWARD BOLT INTO 1/8" MIN. 6063-T5 ALUMINUM	HEADER & JAMBS
D- 1/4-14 ZINC TEK SCREW BY BROWARD BOLT INTO 1/8" MIN. A36 STEEL	HEADER & JAMBS

ANCHOR NOTES:
 1- SEE ELEVATION FOR ANCHOR SPACING AND QUANTITY.
 2- USE 2 1/2" MINIMUM EDGE DISTANCE FOR ANCHORS INTO CONCRETE
 3- USE 3/4" MINIMUM EDGE DISTANCE FOR ANCHOR INTO METAL
 4- MINIMUM EMBEDMENT IS BEYOND WALL DRESSING.



GYRO TECH
 S82 W18717 GEMINI DRIVE
 P.O. BOX 906 MUSKEGO,
 WISCONSIN 53150
 PHONE: (877) 622-2694
 FAX: (262) 679-2505

PRODUCT:
SYSTEM GT1175
 BIPART SLIDER
 FULL OPEN
 LARGE MISSILE IMPACT
 AUTOMATIC SLIDING GLASS DOOR

ENGINEERING:
EngCo Inc.
 CA 8116
 5595 ORANGE DR. 201
 DAVIE, FL 33314
 Tel: (954) 585-0304
 Email: info@engco.com

MIAMI-DADE BCCO:
 PRODUCT RENEWED
 as complying with the Florida
 Building Code
 Acceptance No. 11-1115.07
 Expiration Date 11/7/13
 By: *[Signature]*
 Miami Dade Product Control

Date: 10/14/2011
 Scale: 1:3/8
 Design by: PPMF

Drawing Number
11-212

Sheet
4 of 9

TYPICAL ELEVATION, FLOOR PLAN AND ANCHORAGE SPACING



GYRO TECH
 S82 W18717 GEMINI DRIVE
 P.O. BOX 906 MUSKEGO,
 WISCONSIN 53150
 PHONE: (877) 622-2694
 FAX: (262) 679-2505

PRODUCT:
SYSTEM GT1175
 BIPART SLIDER
 FULL OPEN
 LARGE MISSILE IMPACT
 AUTOMATIC SLIDING GLASS DOOR

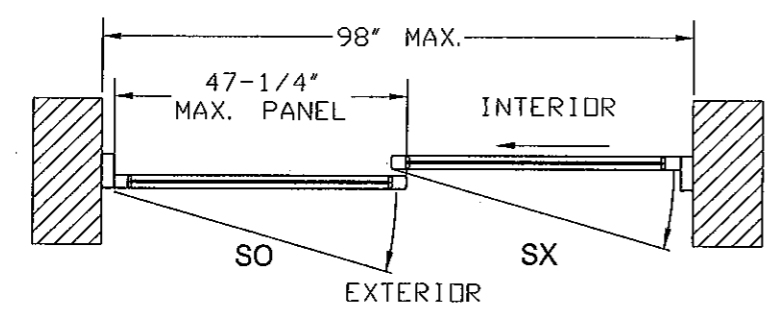
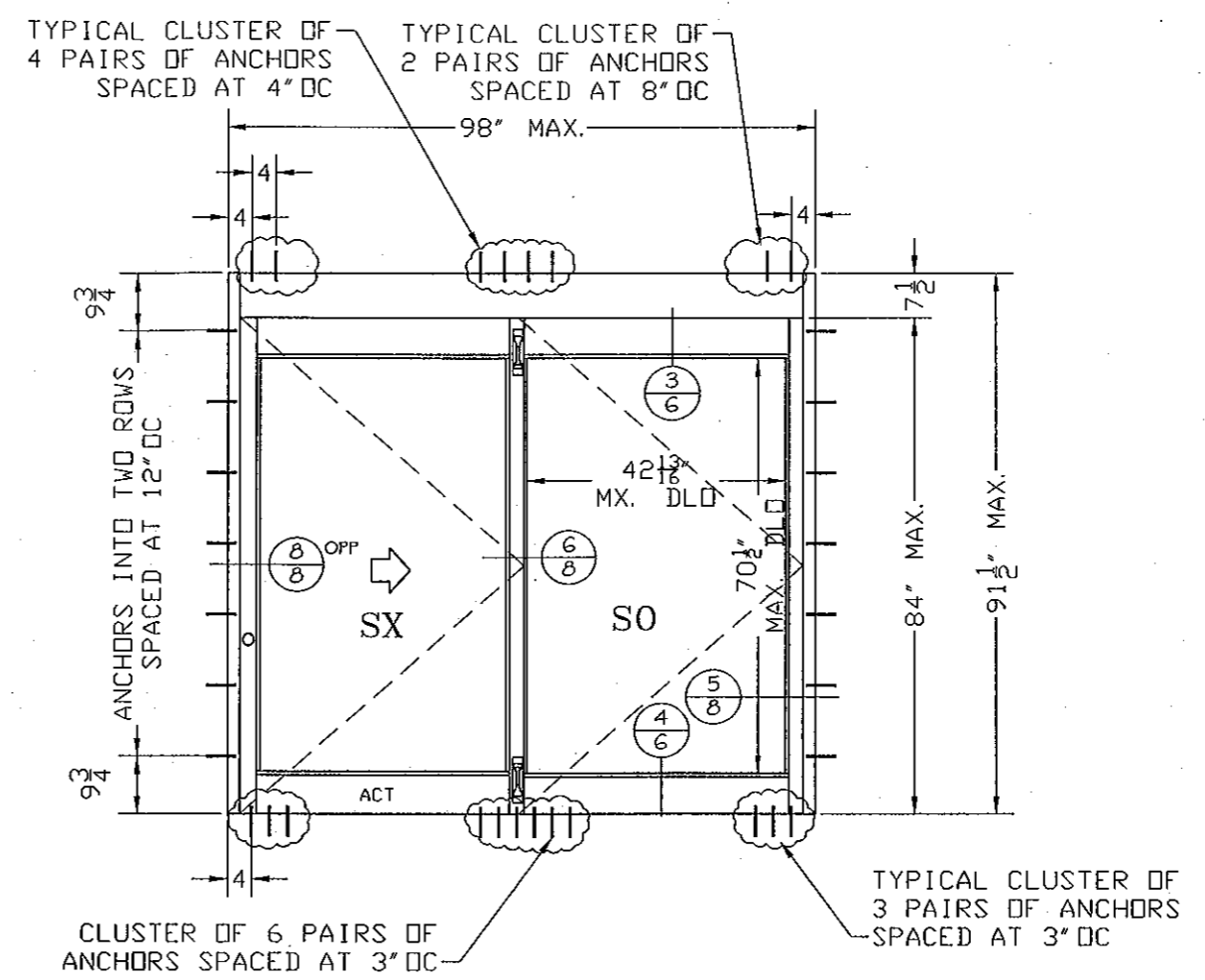
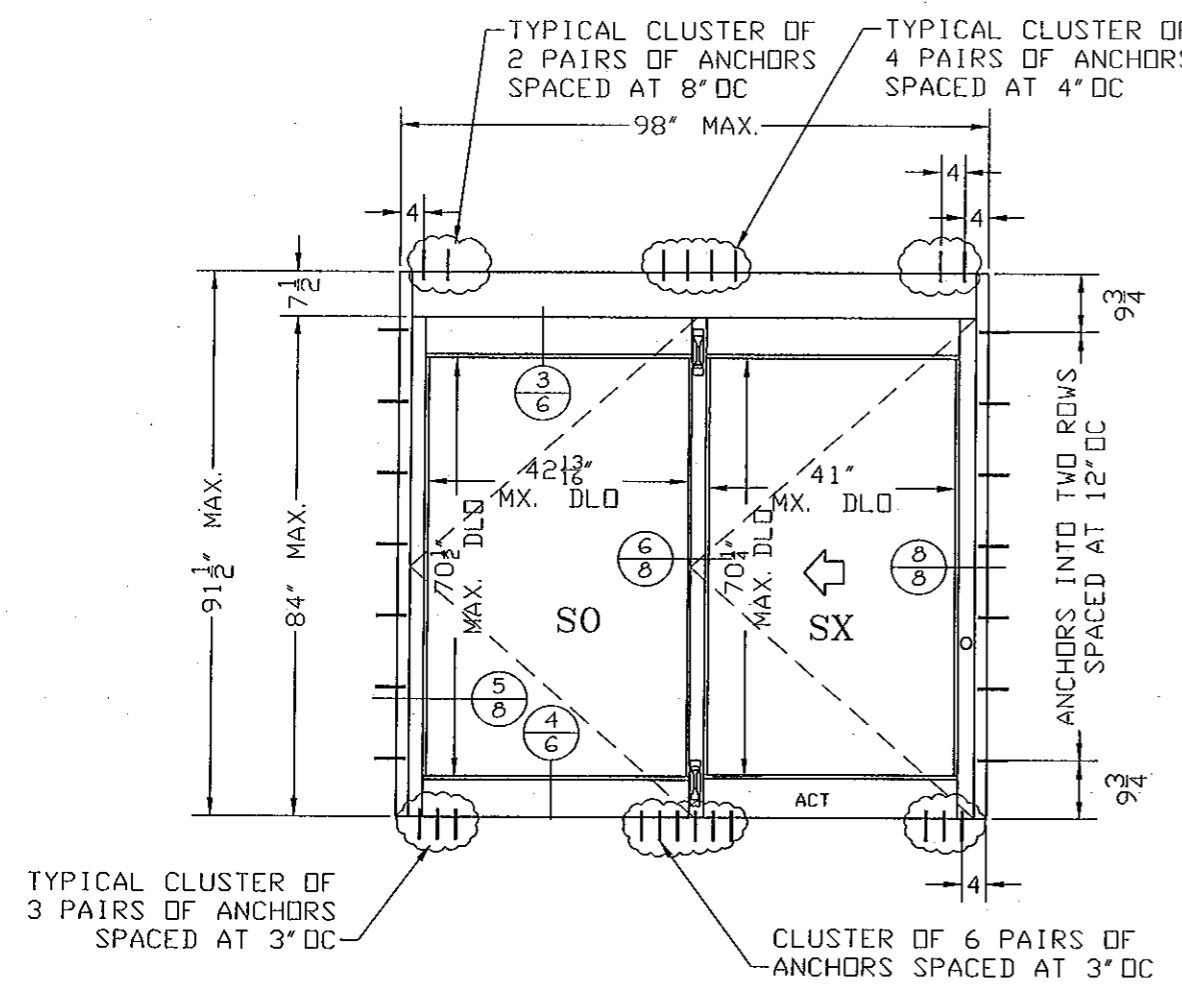
ENGINEERING:
EngCo Inc.
 CA 8116
 5595 ORANGE DR. 201
 DAVIE, FL. 33314
 Tel: (954) 585-0304
 ENGCOCORP.COM
 PEDRO M. DE FIGUEROA
 LICENSE
 No. 52609
 STATE OF FLORIDA
 PROFESSIONAL ENGINEER
 Pedro De Figueroa
 PE 52609

MIAMI-DADE BCCO:
 PRODUCT RENEWED
 as complying with the Florida
 Building Code
 Acceptance No. 11-115-07
 Expiration Date 11/7/13
 By: *[Signature]*
 Miami Dade Product Control

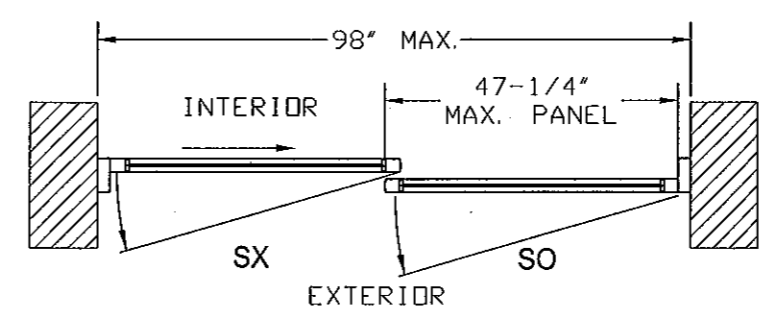
Date: 10/14/2011
 Scale: 1:3/8
 Design by: PPMF

Drawing Number
11-212

Sheet
5 of 9



SO-SX



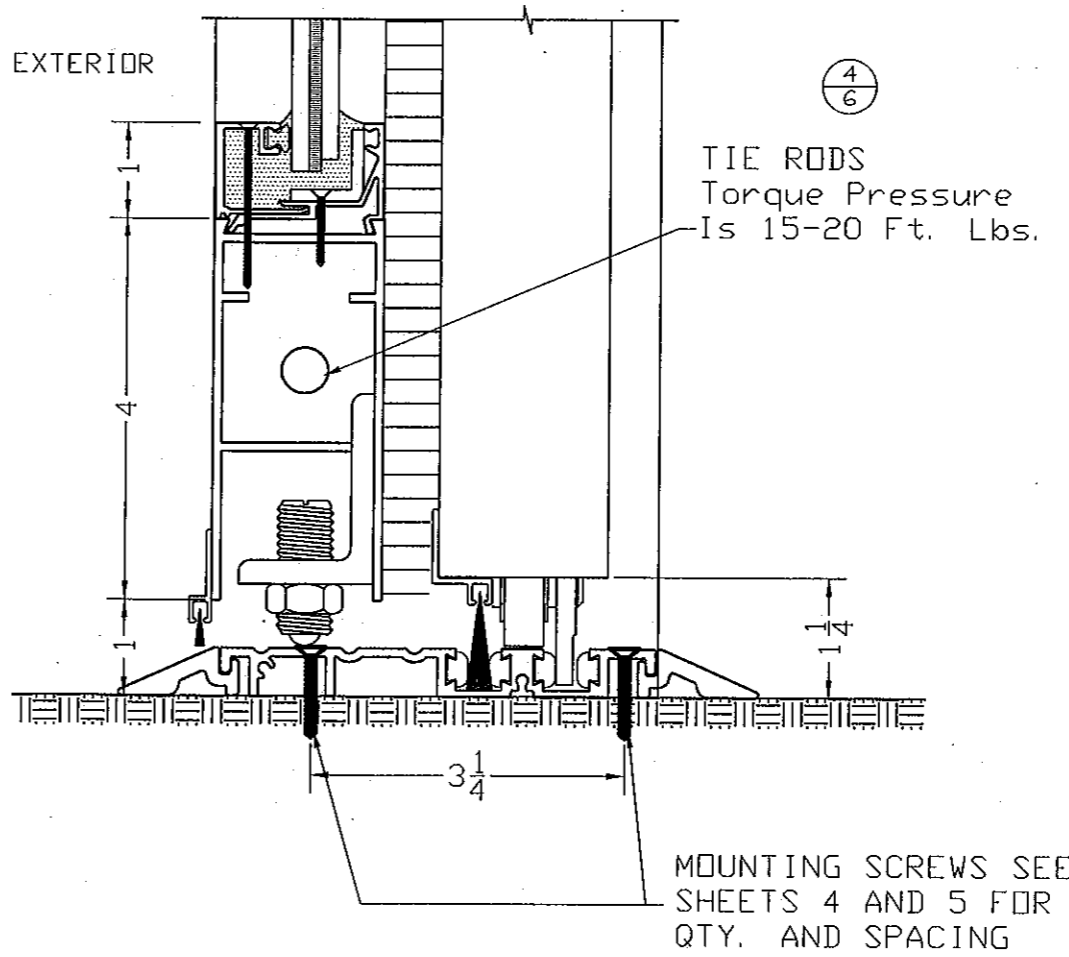
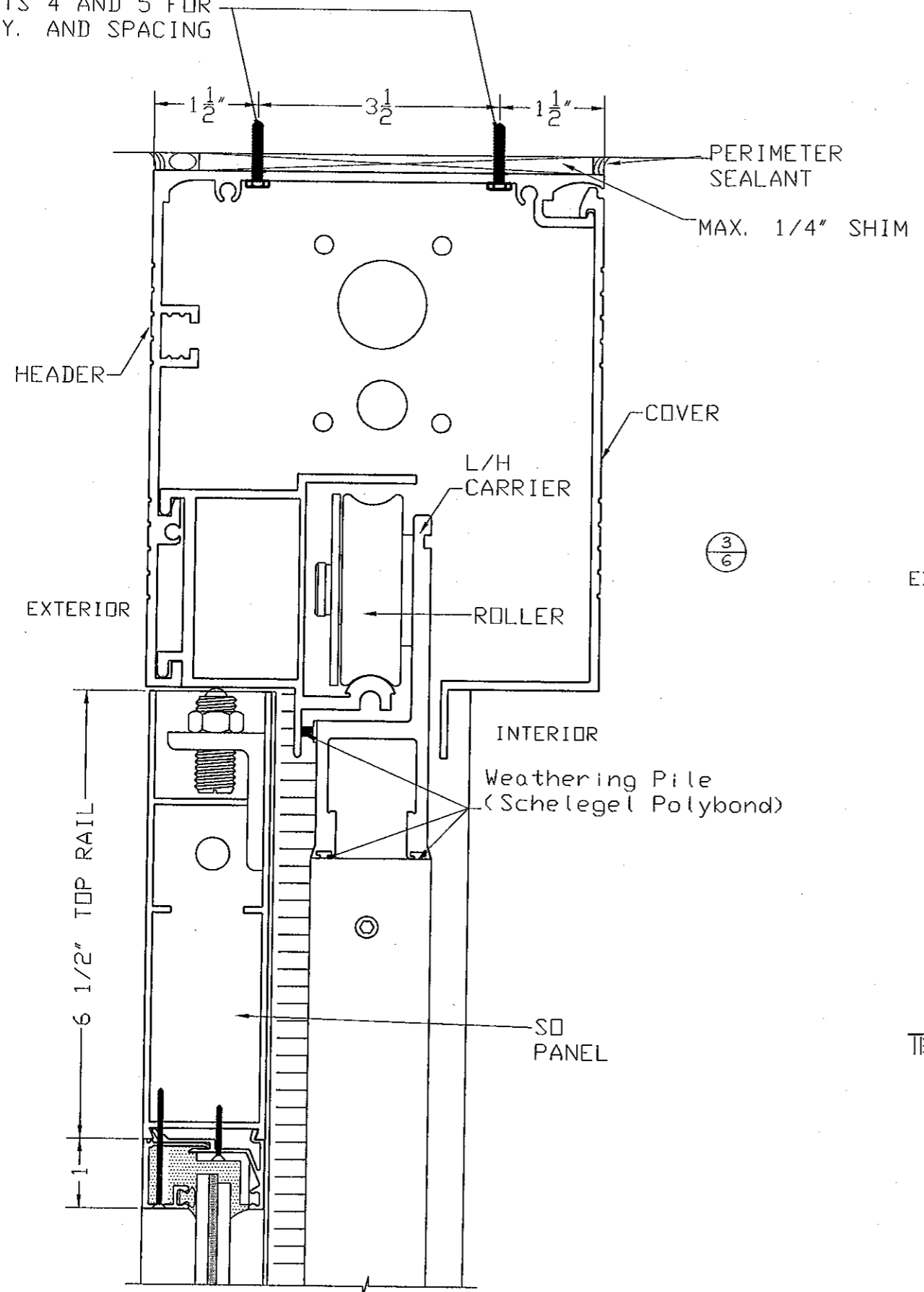
SX-SO

ANCHOR TYPES:	LOCATION
A- 1/4" ITW TAPCON BY BUILDEX WITH 1 3/4" MIN. EMBEDMENT INTO 3192 psi CONCRETE	ALL
C- 1/4-14 ZINC TEK SCREW BY BROWARD BOLT INTO 1/8" MIN. 6063-T5 ALUMINUM	HEADER & JAMBS
D- 1/4-14 ZINC TEK SCREW BY BROWARD BOLT INTO 1/8" MIN. A36 STEEL	HEADER & JAMBS

ANCHOR NOTES:
 1- SEE ELEVATION FOR ANCHOR SPACING AND QUANTITY.
 2- USE 2 1/2" MINIMUM EDGE DISTANCE FOR ANCHORS INTO CONCRETE
 3- USE 3/4" MINIMUM EDGE DISTANCE FOR ANCHOR INTO METAL
 4- MINIMUM EMBEDMENT IS BEYOND WALL DRESSING.

MOUNTING SCREWS SEE SHEETS 4 AND 5 FOR QTY. AND SPACING

SECTION DETAILS



GYRO TECH
 S82 W18717 GEMINI DRIVE
 P.O. BOX 906 MUSKEGO,
 WISCONSIN 53150
 PHONE: (877) 622-2694
 FAX: (262) 679-2505

PRODUCT:
SYSTEM GT1175
 BIPART SLIDER
 FULL OPEN
 LARGE MISSILE IMPACT
 AUTOMATIC SLIDING GLASS DOOR

ENGINEERING:
EngCo Inc.
 CA 8116
 5595 ORANGE DR. 201
 DAVIE, FL. 33314
 Tel: (954) 585-0304
 ENGCCO@AOL.COM
 PEDRO M. DE FIGUEIREDO
 LICENSE
 No. 52609
 DEC 27 2011
 STATE OF FLORIDA
 PROFESSIONAL ENGINEER

MIAMI-DADE BCCO:
 PRODUCT RENEWED
 as complying with the Florida
 Building Code
 Acceptance No. 11-1115-07
 Expiration Date 11/27/13
 By *Isaac L. Chan*
 Miami Dade Product Centre

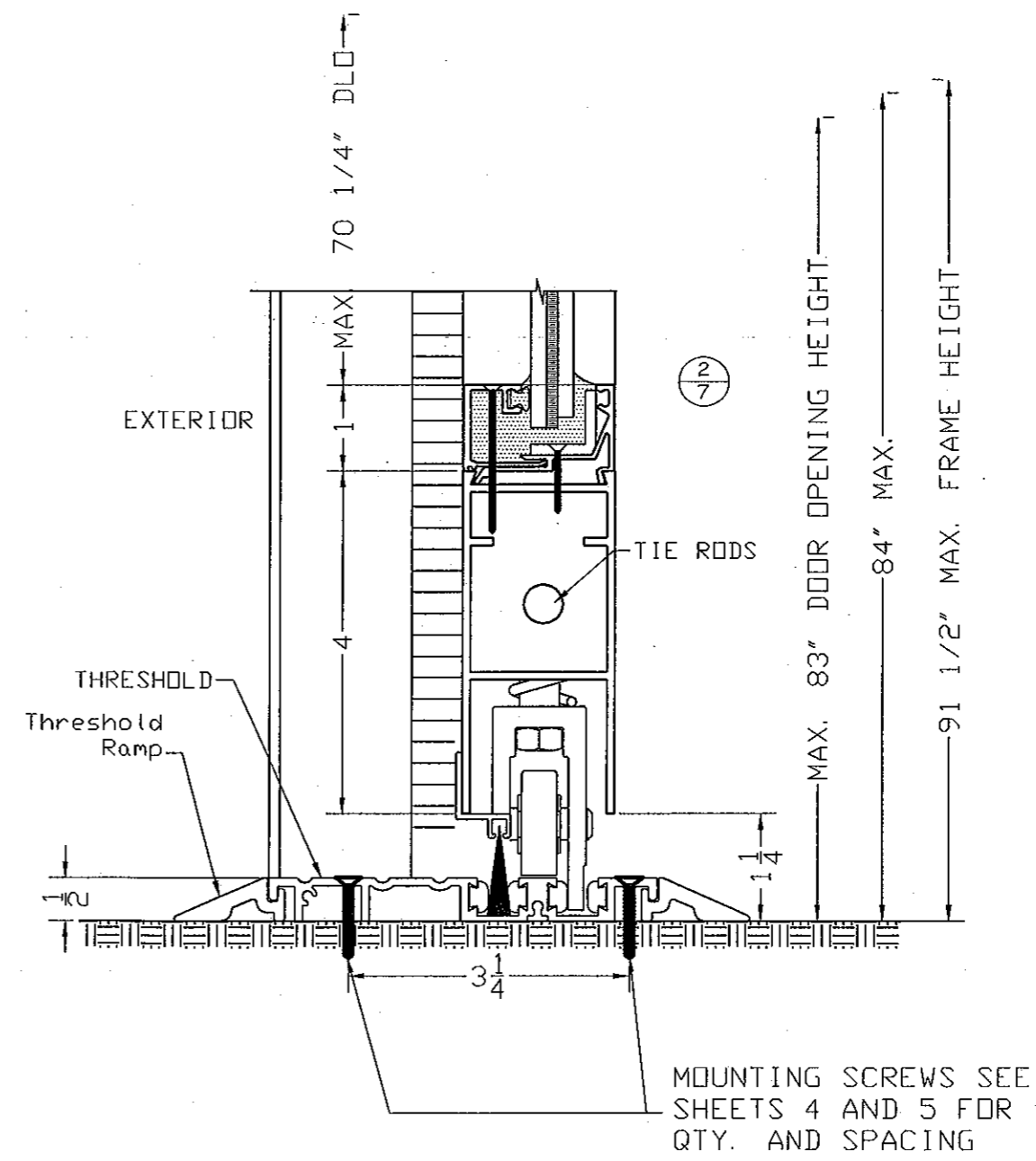
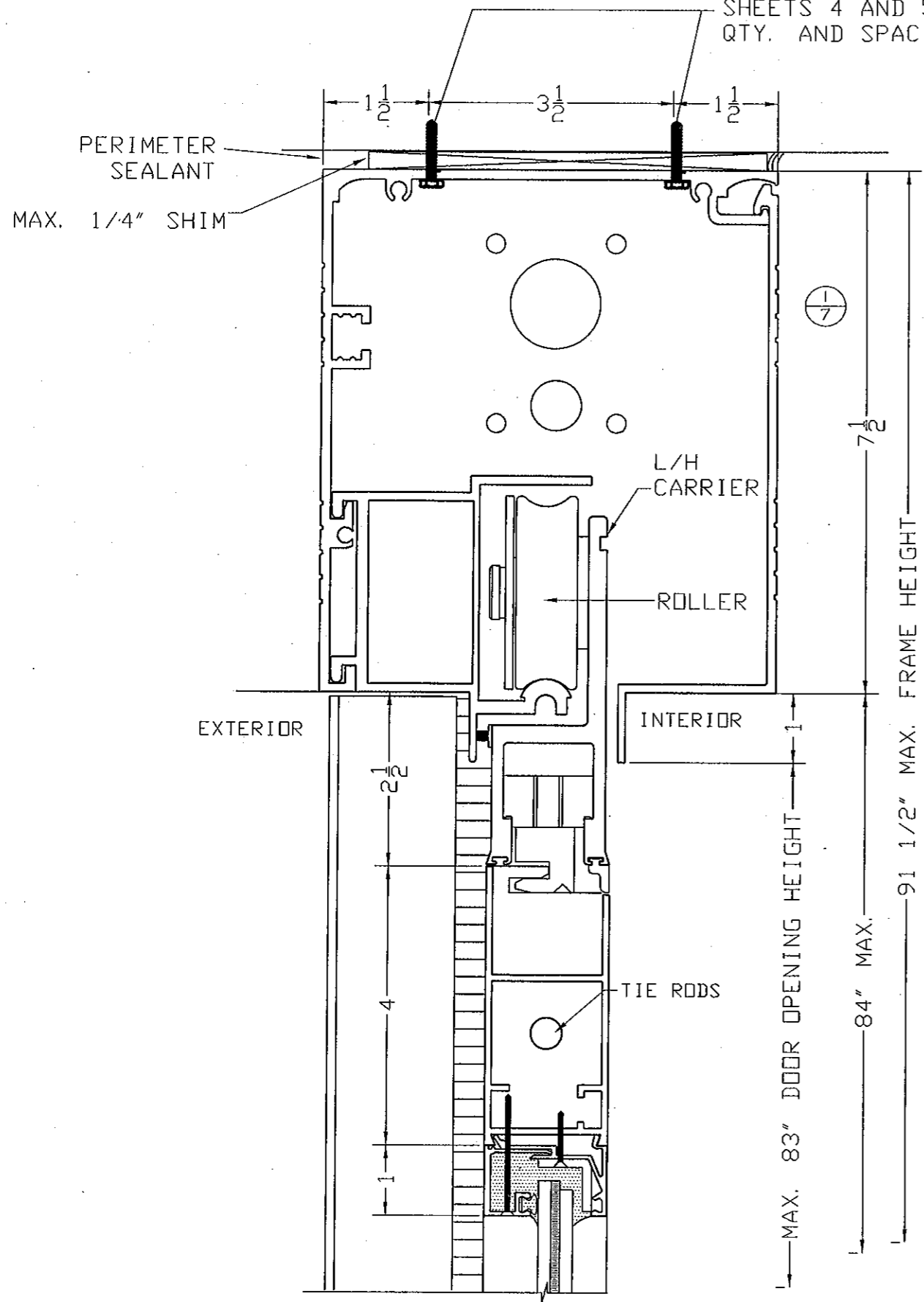
Date: 10/14/2011
 Scale: 1:1/2
 Design by: PPMF

Drawing Number
11-212

Sheet
6 of 9

MOUNTING SCREWS SEE SHEETS 4 AND 5 FOR QTY. AND SPACING

SECTION DETAILS



GYRO TECH
 S82 W18717 GEMINI DRIVE
 P.O. BOX 906 MUSKEGO,
 WISCONSIN 53150
 PHONE: (877) 622-2694
 FAX: (262) 679-2505

PRODUCT:
SYSTEM GT1175
 BIPART SLIDER
 FULL OPEN
 LARGE MISSILE IMPACT
 AUTOMATIC SLIDING GLASS DOOR

ENGINEERING:
EngCo Inc.
 CA 8116
 5595 ORANGE DR. 201
 DAVIE, FL. 33314
 Tel.: (954) 585-0304
 ENCO@GMAIL.COM

PEDRO M. DE FIGUEIREDO
 LICENSE
 No. 52609
 DEC 27 2011
 STATE OF FLORIDA
 PROFESSIONAL ENGINEER

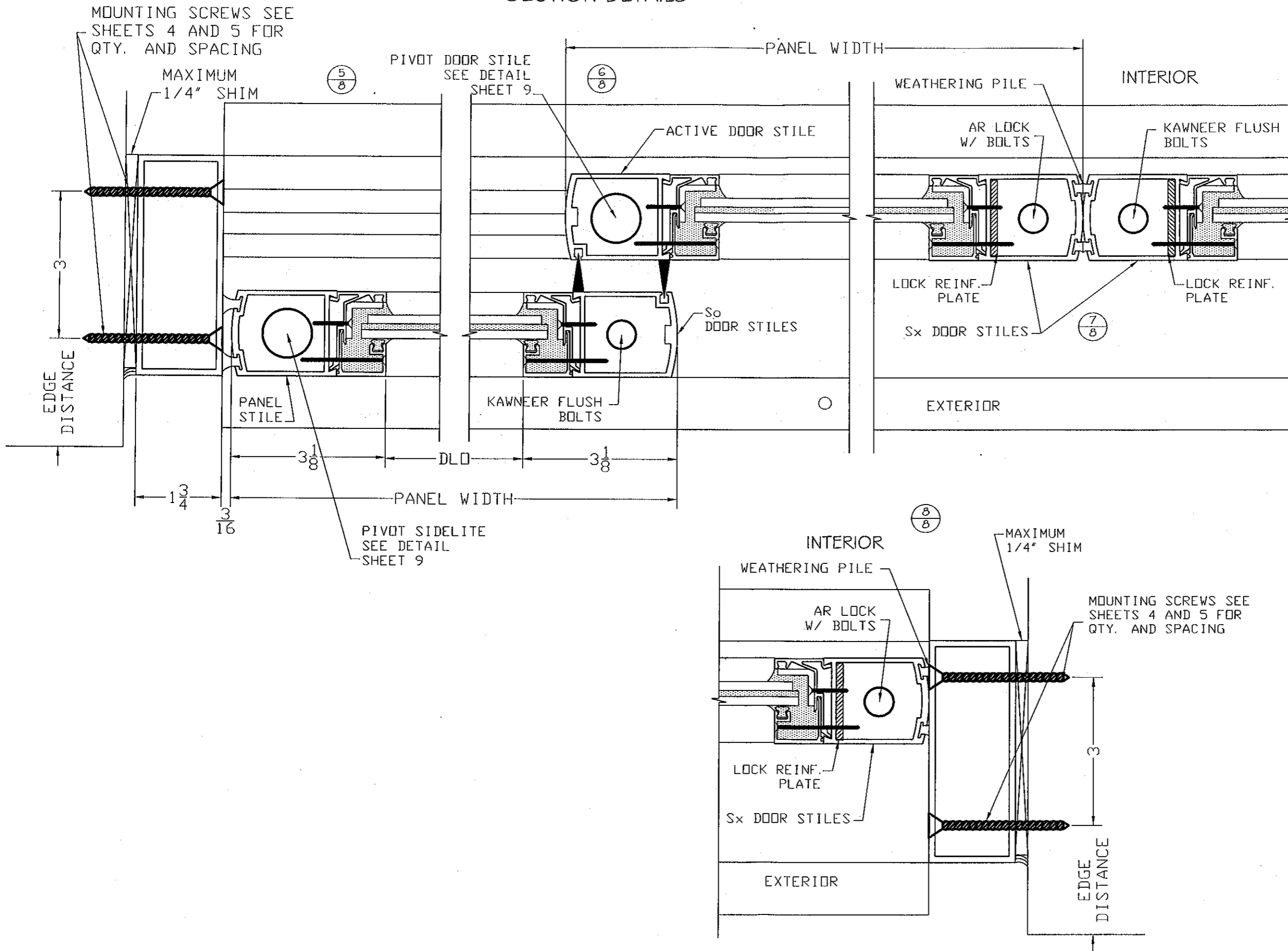
MIAMI-DADE BCCO:
PRODUCT RENEWED
 as complying with the Florida
 Building Code
 Acceptance No. 11-1115-07
 Expiration Date 11/17/13
 By *16hug1.Chude*
 Miami Dade Product Control

Date: 10/14/2011
 Scale: 1:1/2
 Design by: PPMF

Drawing Number
11-212

Sheet
7 of 9

SECTION DETAILS



GYRO TECH
 S82 W18717 GEMINI DRIVE
 P.O. BOX 906 MUSKEGO,
 WISCONSIN 53150
 PHONE: (877) 622-2694
 FAX: (262) 679-2505

PRODUCT:
SYSTEM GT1175
 BIPART SLIDER
 FULL OPEN
 LARGE MISSILE IMPACT
 AUTOMATIC SLIDING GLASS DOOR

ENGINEERING:
EngCo Inc.
 CA 8116
 5595 ORANGE DR. 201
 DAVIE, FL. 33314
 Tel.: (954) 585-0304
 ENGCO@AOL.COM



MIAMI-DADE BCCO:
 PRODUCT RENEWED
 as complying with the Florida
 Building Code
 Acceptance No. 11-1115.07
 Expiration Date 11/2/12
 By *16491 Chen*
 Miami Dade Product Center

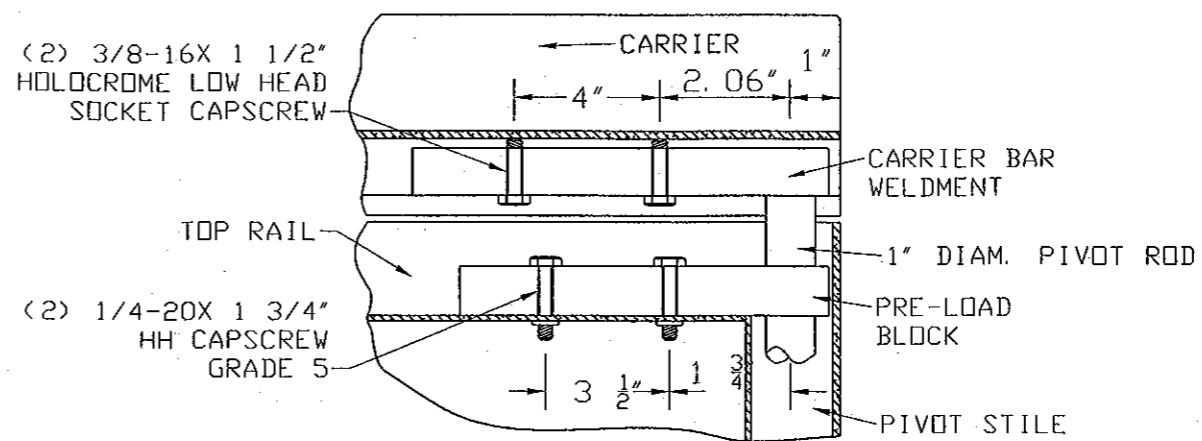
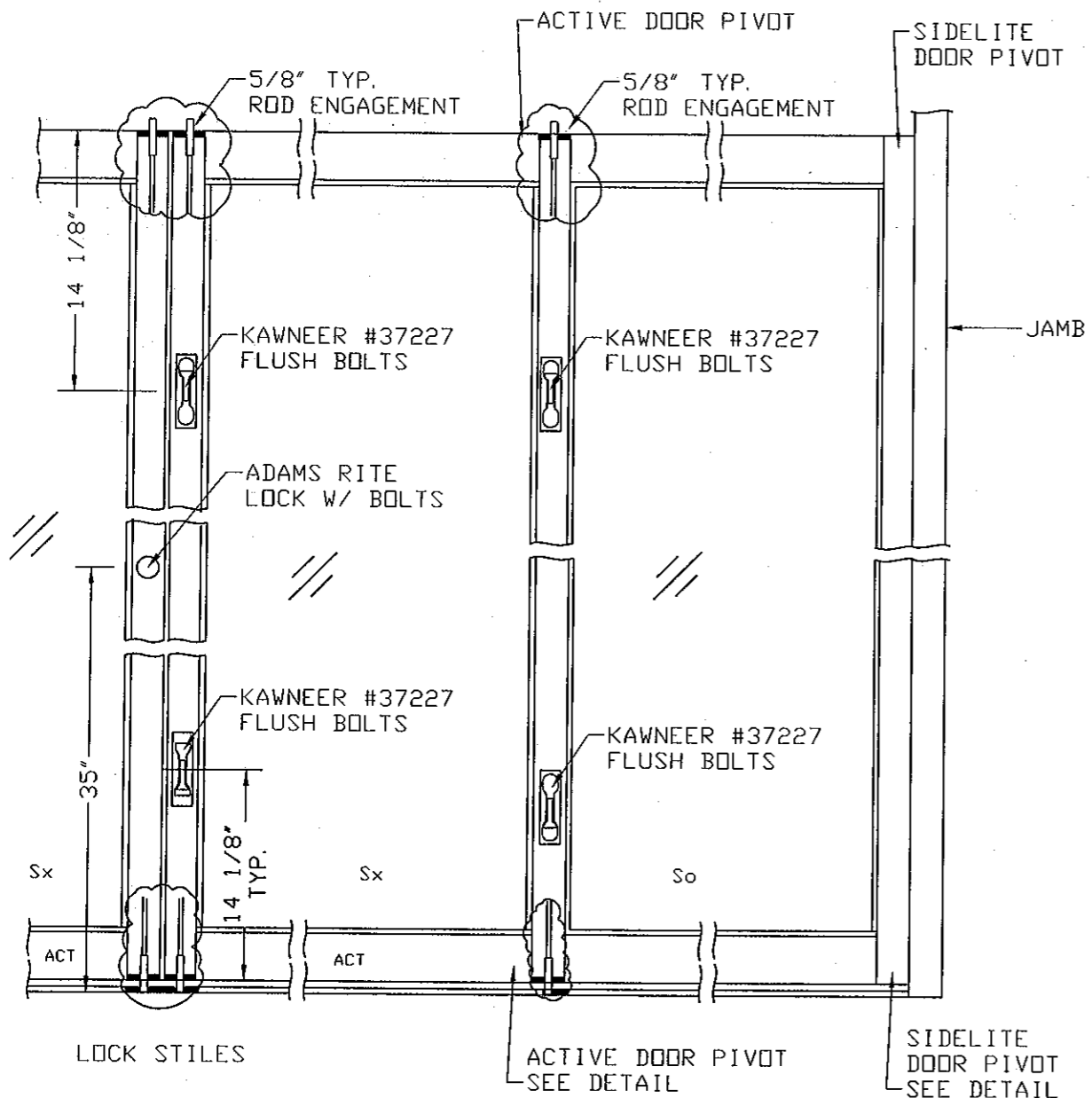
Date: 10/14/2011
 Scale: 1:1/2
 Design by: PPMF

Drawing Number
11-212

Sheet
8 of 9

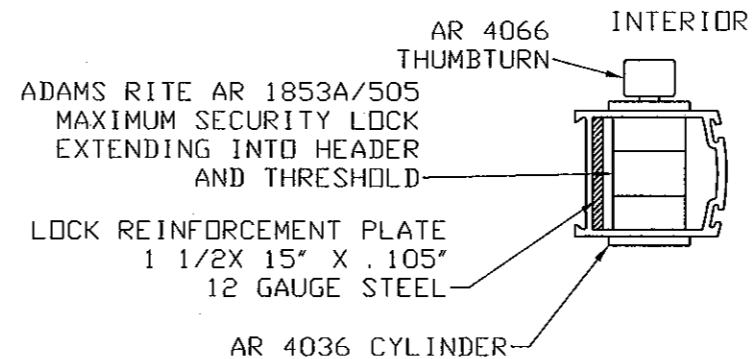
DOOR HARDWARE

TYPICAL ACTIVE DOOR AND SIDELITE PIVOT

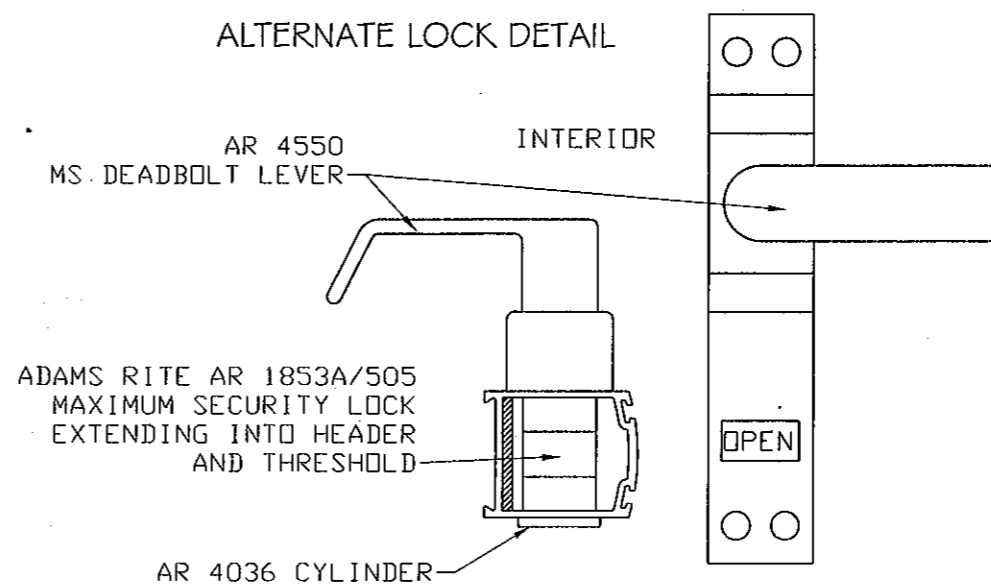


PIVOT INTERIOR VIEW

STANDARD LOCK DETAIL



ALTERNATE LOCK DETAIL



GYRO TECH

S82 W18717 GEMINI DRIVE
P.O. BOX 906 MUSKEGO,
WISCONSIN 53150
PHONE: (877) 622-2694
FAX: (262) 679-2505

PRODUCT:

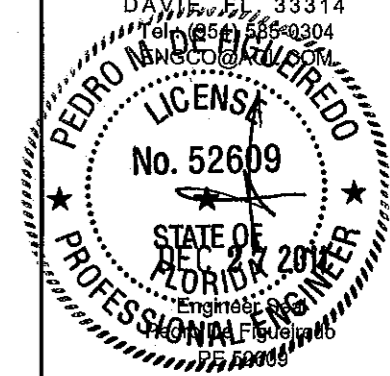
SYSTEM GT1175

BIPART SLIDER
FULL OPEN
LARGE MISSILE IMPACT
AUTOMATIC SLIDING GLASS DOOR

ENGINEERING:

EngCo Inc.

CA 8116
5595 ORANGE DR. 201
DAVIE, FL 33314
Tel: (954) 585-0304
Fax: (954) 585-0304
www.engco.com



MIAMI-DADE BCCO:

PRODUCT RENEWED
as complying with the Florida
Building Code
Acceptance No. 11-115-07
Expiration Date 11/17/2013
By: I. Chag. I. Chavez
Miami Dade Product Control

Date: 10/14/2011
Scale: NA
Design by: PPMF

Drawing Number
11-212

Sheet
9 of 9