



GYRO TECH™

by NABCO Entrances Inc.

Where quality and service are automatic

WWW.NABCOENTRANCES.COM

1-877-622-2694

JOB NAME: _____

LOCATION: _____

DISTRIBUTOR: _____

DOOR #: _____ DATE: _____

SHEET ____ OF ____

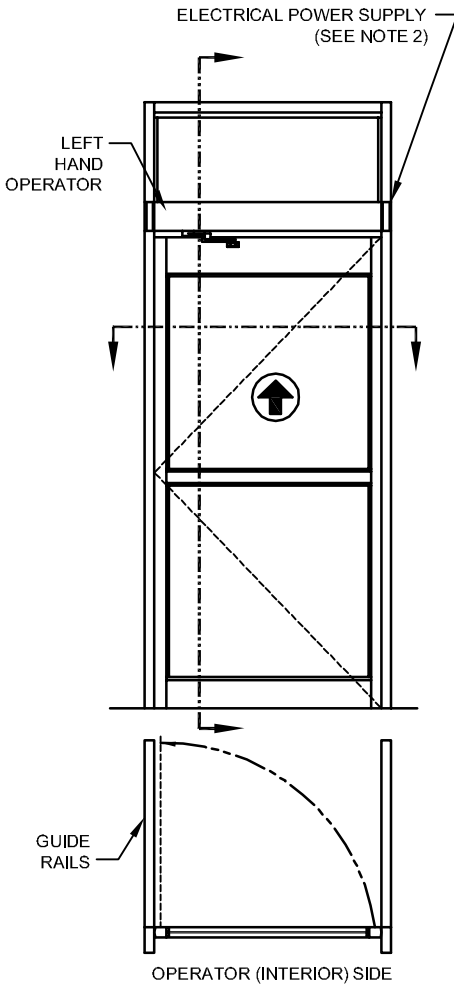
GT400-02L

BOTTOM LOAD

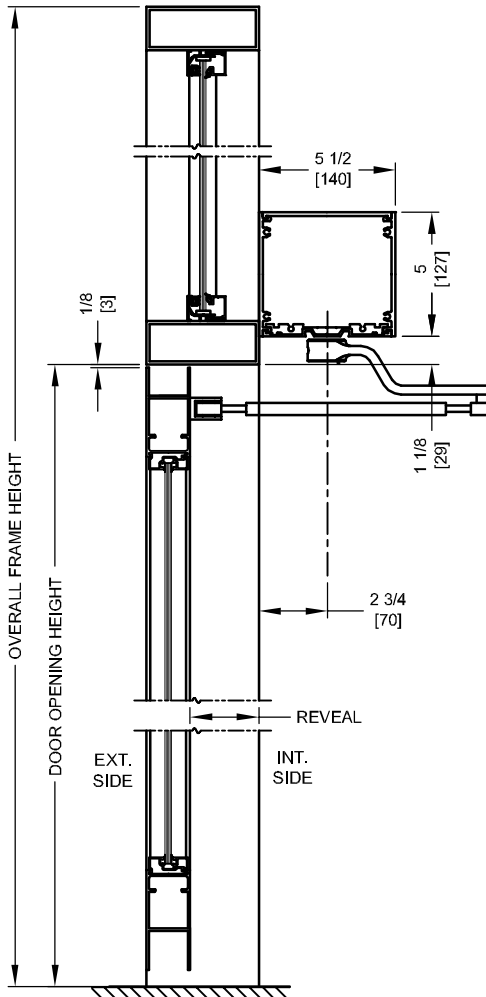
HEADER

LEFT HAND

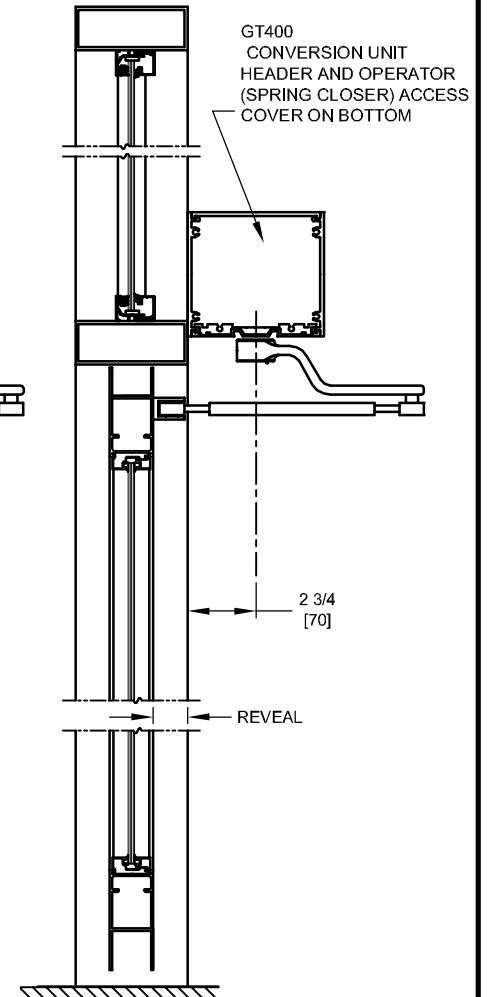
OUTSWING



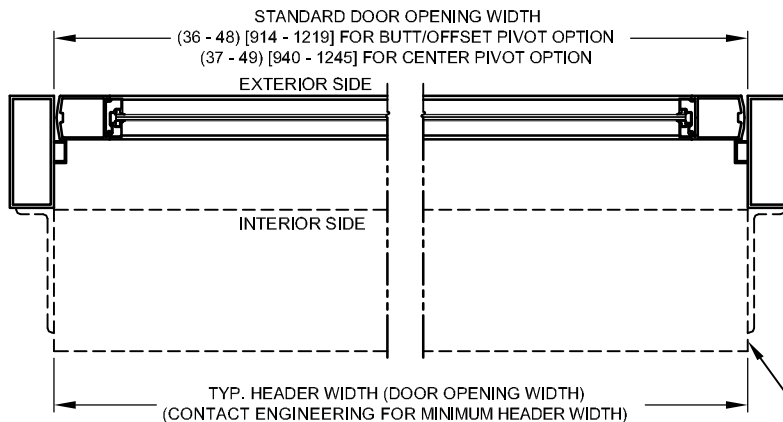
INTERIOR ELEVATION/PLAN



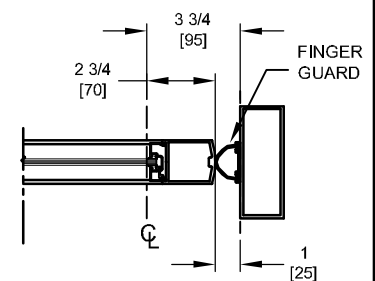
VERTICAL SECTION
BUTT/OFFSET PIVOT OPTION



VERTICAL SECTION
CENTER PIVOT OPTION



HORIZONTAL SECTION



HINGE JAMB AT CENTER PIVOT OPTION

- NOTES:
1. GUIDE RAILS, MATS, PUSH PLATES AND VARIOUS ELECTRONIC DEVICES FOR THE DOOR ACTIVATION AND CONTROL ARE OPTIONAL. CONSULT WITH YOUR NABCO/GYRO TECH DISTRIBUTOR.
 2. POWER TO HEADER WILL BE 115VAC, 5 AMP PER OPERATOR PROVIDED BY ELECTRICAL CONTRACTOR.
 3. STANDARD HARDWARE SUPPLIED WILL ACCOMMODATE DOOR THICKNESS OF 1 3/4" TO 2 1/4".
 4. APPLICATION ON BALANCE DOORS REQUIRES RELOCATION OF THE OPERATOR PIVOT.
 5. SPECIAL ARMS MAY BE REQUIRED ON INSWING DOORS WITH REVEAL GREATER THAN 1 3/4" AND OUTSWING DOORS WITH REVEAL GREATER THAN 18".