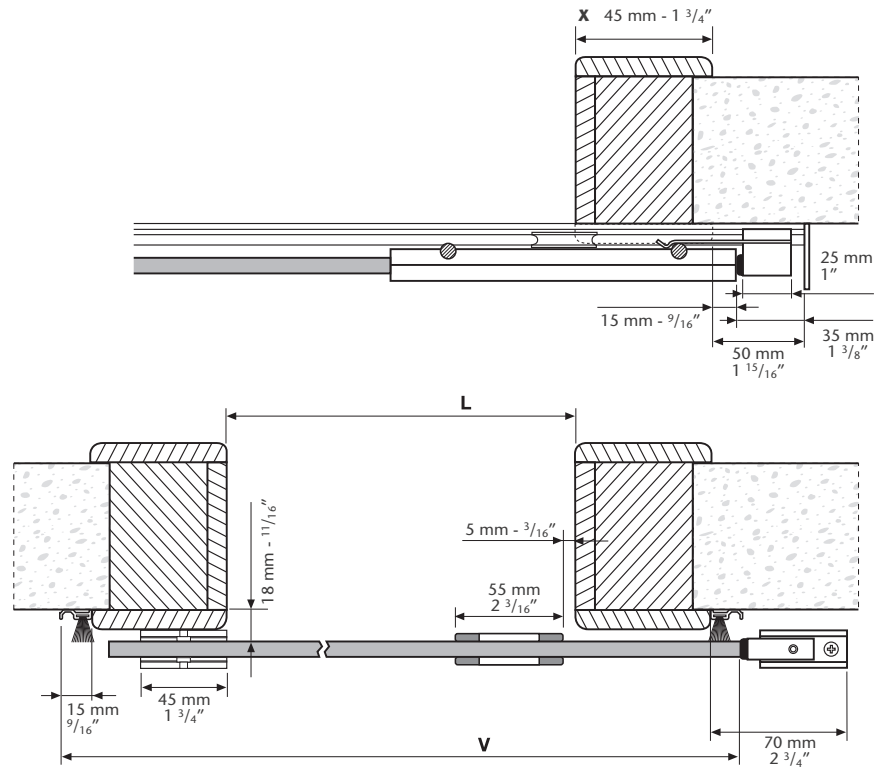
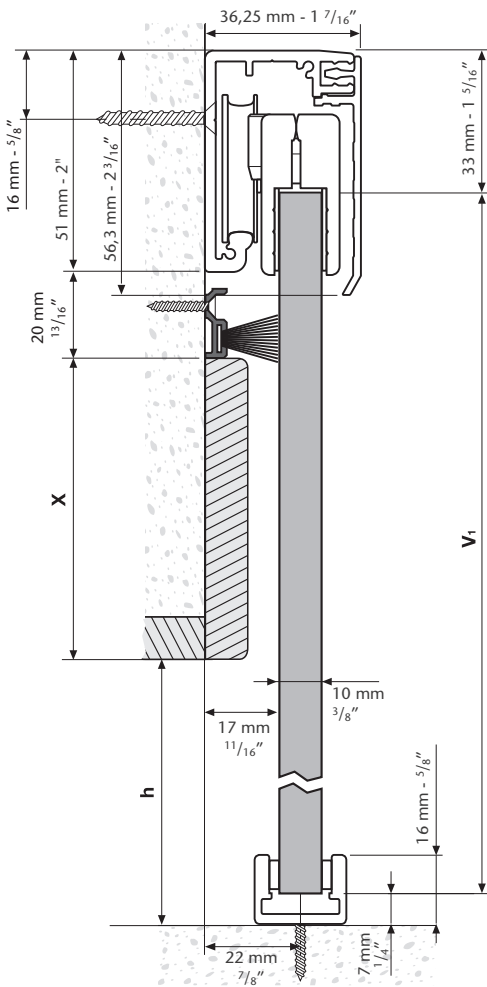


X = 1 7/16"
Y = 2"



$$V = L + 2x + 30 \text{ mm } (1 \frac{3}{16} \text{ inch})$$

$$V_1 = h + x + 31 \text{ mm } (1 \frac{1}{4} \text{ inch})$$

KLEIN USA, Inc has the right to change the sizes and/or the product in any moment without previous notice.

KLEIN USA, Inc.®

Customer Phone: (+34) 902 199 822

Customer Fax: (+34) 902 199 667

www.klein-usa.com

Unikglass 60