

BLASI **C 127-SU** in-ground swing door operator



SYSTEM:

The brand-new designed in-ground swing door operator C127 is available in the standard (S) and in the heavy (H) execution to suit every requirement. The main use for this in-ground swing door operator is mainly to hide the drive in the floor and provide a better aesthetically design to your façade system while avoiding a bulky drive at the top.

The new operator combines the experience, skill and reliable technology from Blasi. Thanks to its modular construction and ability to fit existing doors, the C127 is amazingly flexible and can be used for the widest possible range of applications. Exceptionally quiet in operation yet highly dynamic, even heavy doors of up to 400 kg can be easily operated.

The hidden drive provides the most demanding architect with greater freedom of design. The easy to maintain system is located in the floor, if required covered by the flooring itself, thus harmoniously blending into the entrance area. The operator also serves as the lower bearing and moves the door leaf using a pivot or slide arm connection.

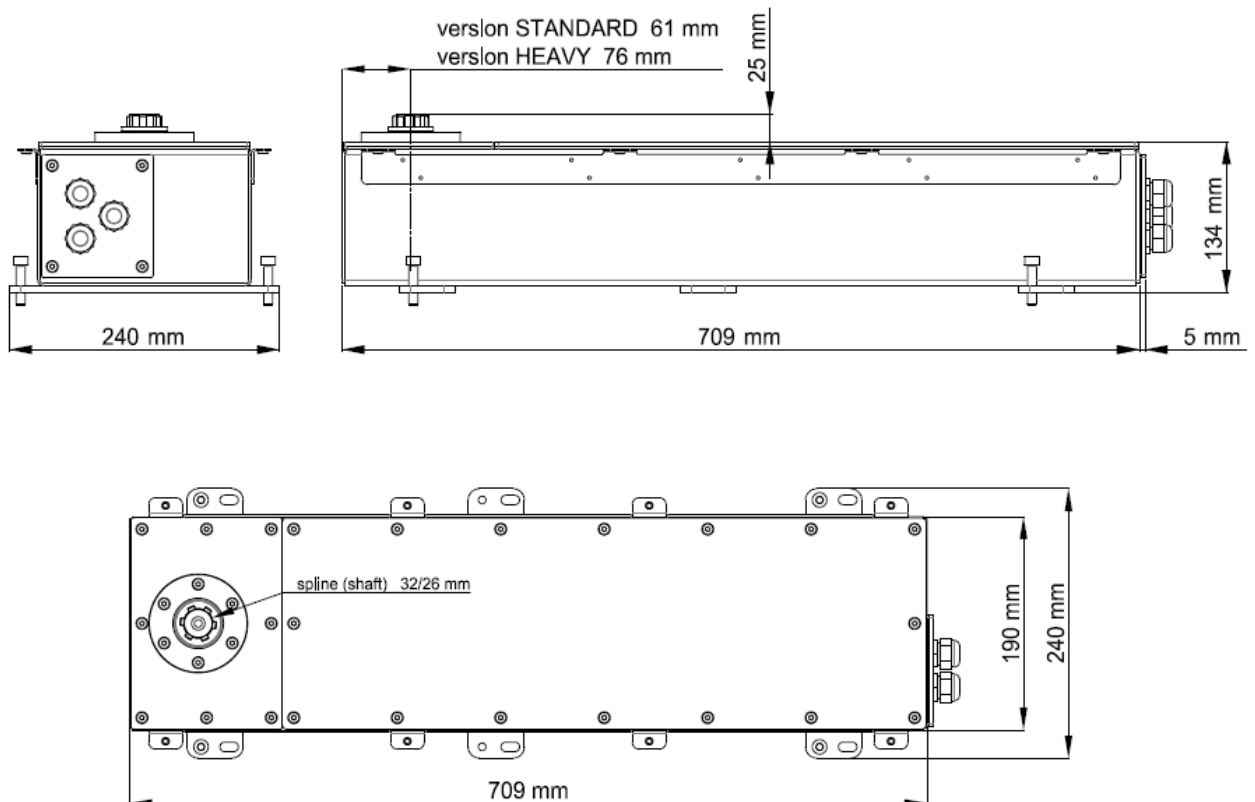
- The C127 is ideal to be used in any building like office buildings, hotels, hospitals, airports, museums, shopping malls, residential buildings and many more
- Standard execution “S” offers the use for door leaf weights up to 250kg (551 lbs) and for the heavy version “H” the use of weights up to 400 kg (880 lbs)
- Including a complete floor-spring closer that can be used during power failure
- Drive unit fully sealed against dirt and water in class IP 67
- To be used as a single or as well double leaf execution
- Available with integrated magnetic brake

BLASI **C 127-SU** in-ground swing door operator

Passage Opening " A "		
Minimal (per leaf)	850 mm	≈ 34"
Maximal (per leaf)	1400 mm	≈ 55"
Passage Height " G "		
	4000 mm	≈ 13'
Drive Unit Length " F "		
	780 mm	≈ 31"
Floor Box Length		
	780 mm	≈ 31"
Floor Box Depth		
	150 mm	≈ 6"
Door Leaf Weight (per leaf)		
Standard execution "S"	max. 250 kg (551 lbs)	
Heavy execution "H"	max. 400 kg (880 lbs)	

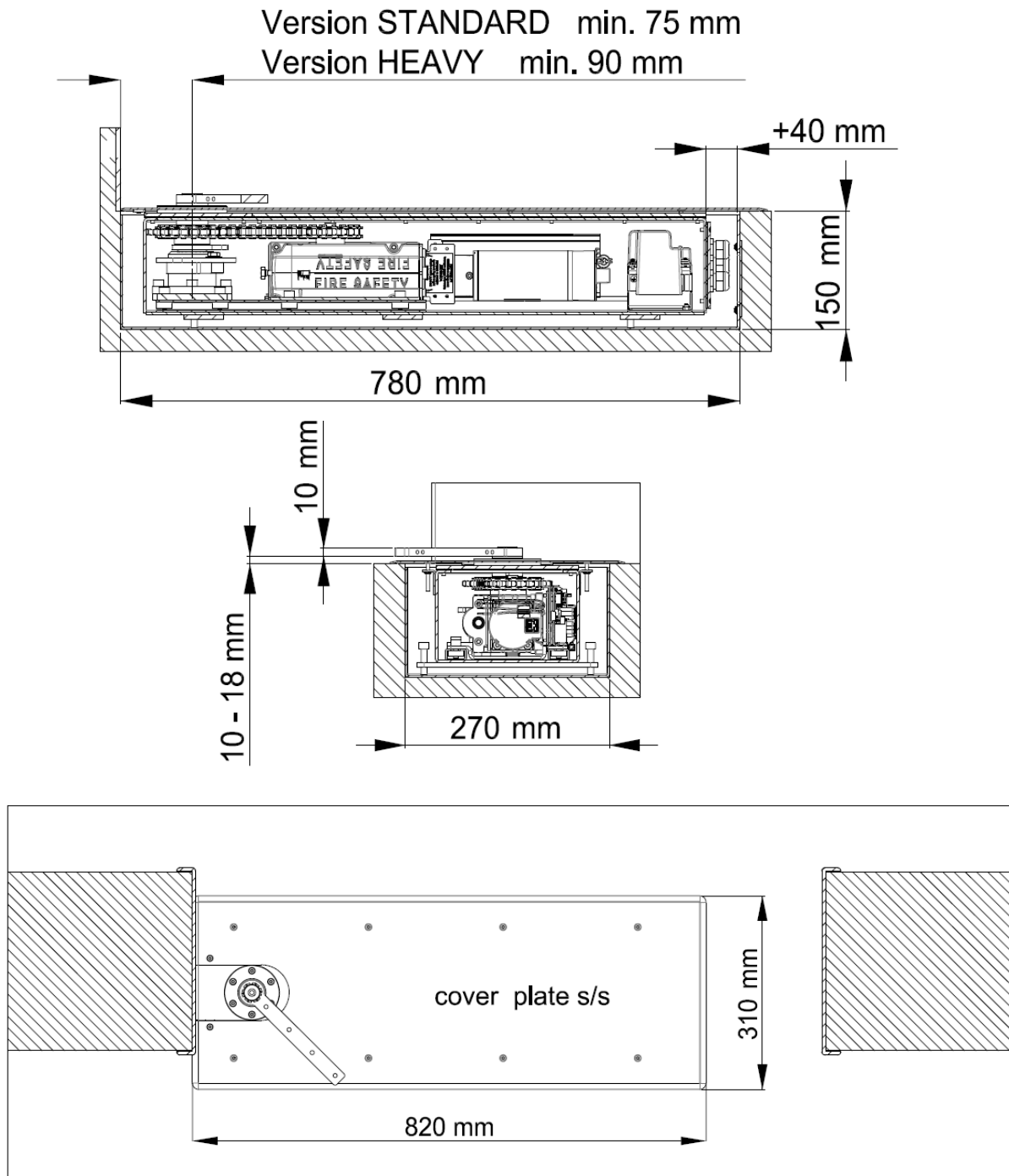
Installation Depth		min. 150 mm	(≈ 6")
Installation Width		min. 270 mm	(≈ 11")
Opening Speed		adjustable from 3 to 20 sec.	
Closing Speed		adjustable from 3 to 20 sec.	
Please note that the speed needs to be adjusted in accordance to your local codes & requirements			
Floor Box Width		270 mm	≈ 11"
Cover Plate UNIVERSAL	Length	820 mm	≈ 32"
	Width	310 mm	≈ 12"
Opening angle		adjustable from 70° to 125°	

C127-SU UNIT DRAWING DETAILS:



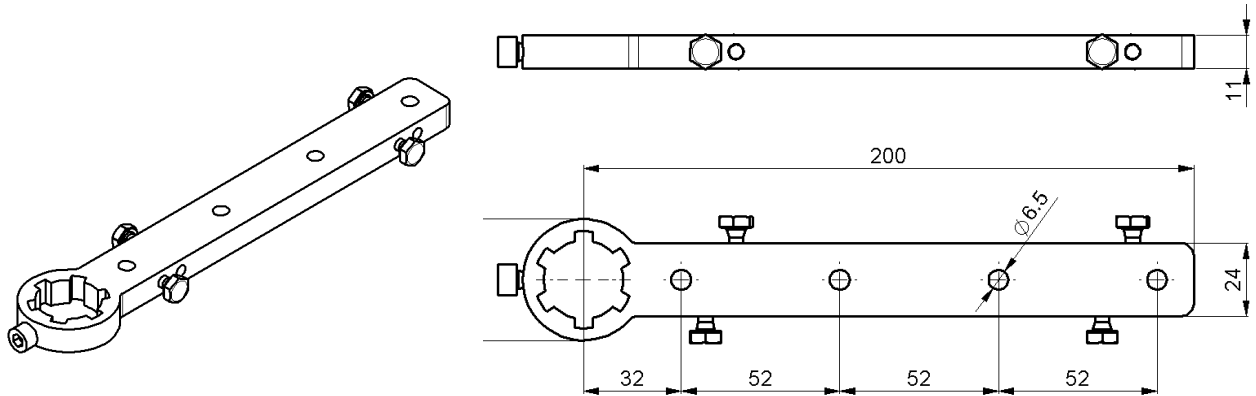
BLASI C 127-SU in-ground swing door operator

DRAWING DETAILS (WITH FLOOR BOX):

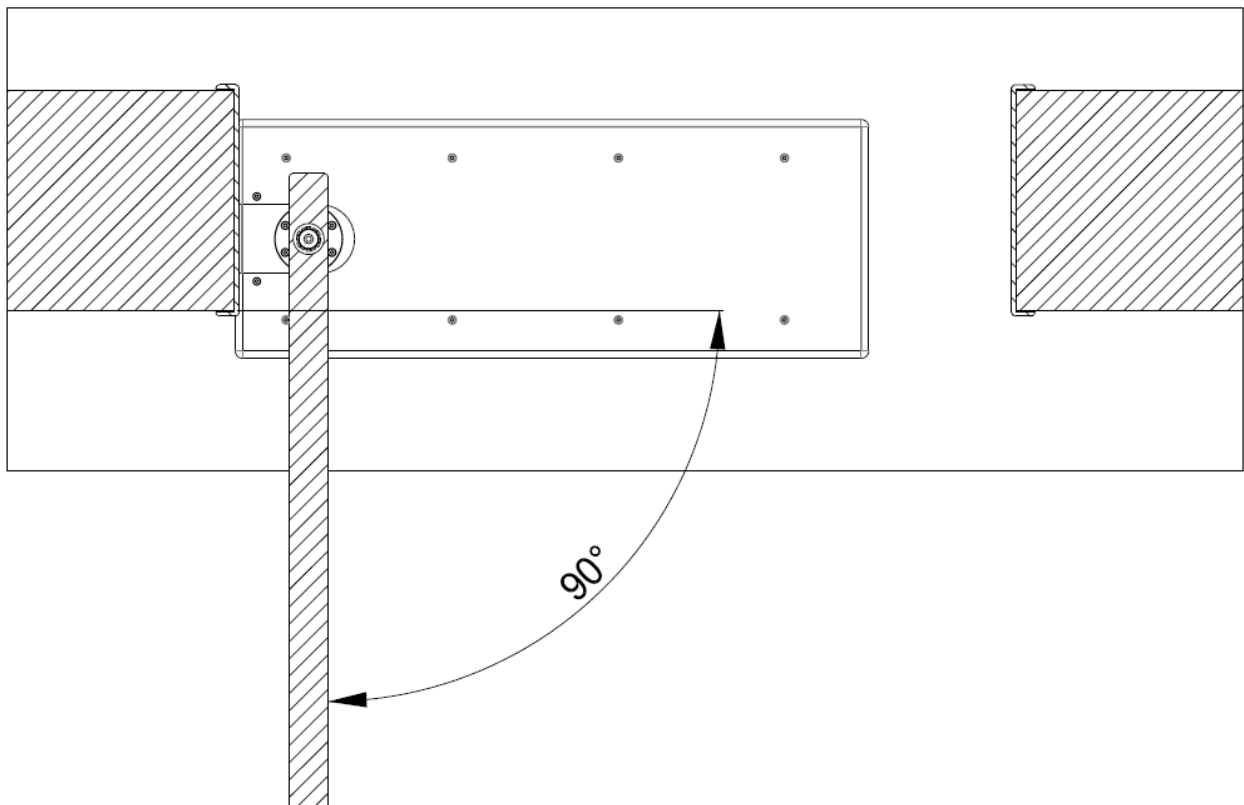


BLASI **C 127-SU** in-ground swing door operator

DRAWING DETAILS (PIVOT ARM):

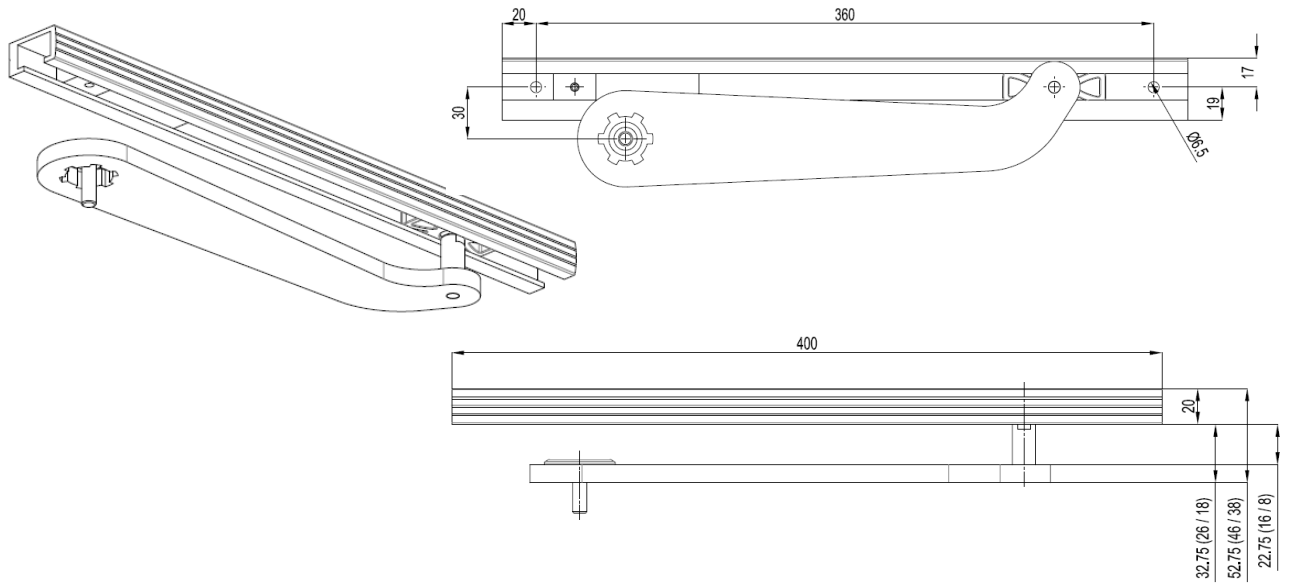


Installation Example with pivot arm:

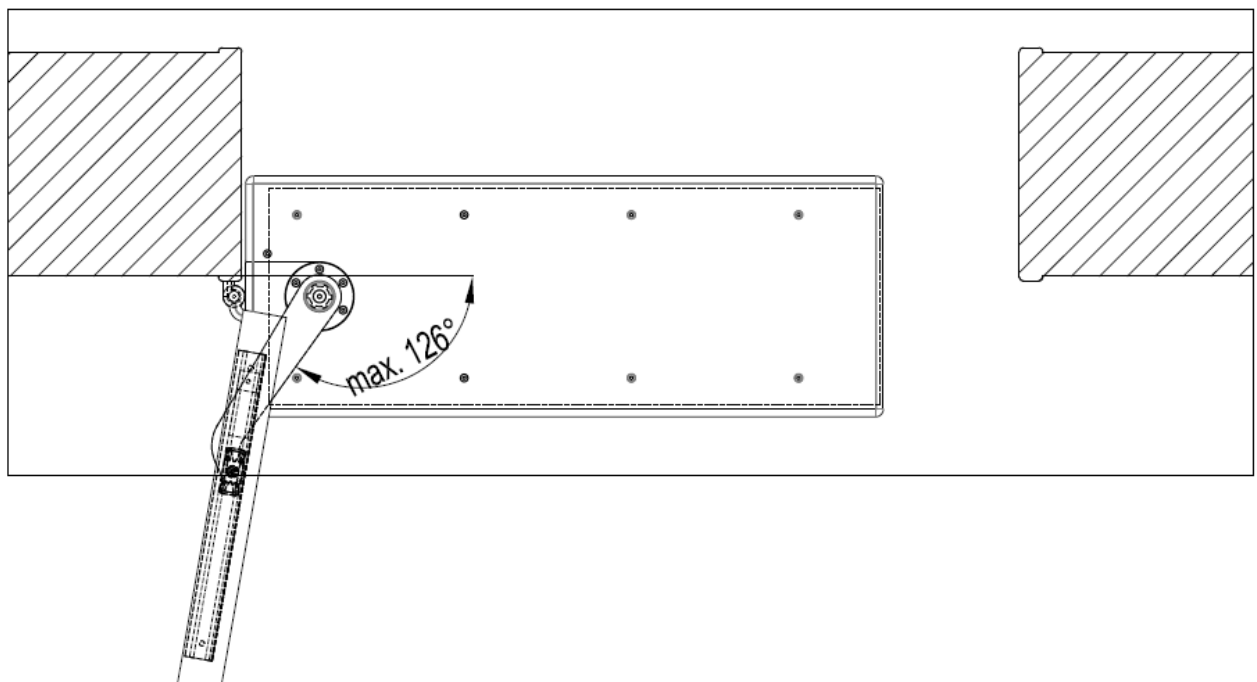


BLASI **C 127-SU** in-ground swing door operator

DRAWING DETAILS (SLIDE/GLIDE ARM):

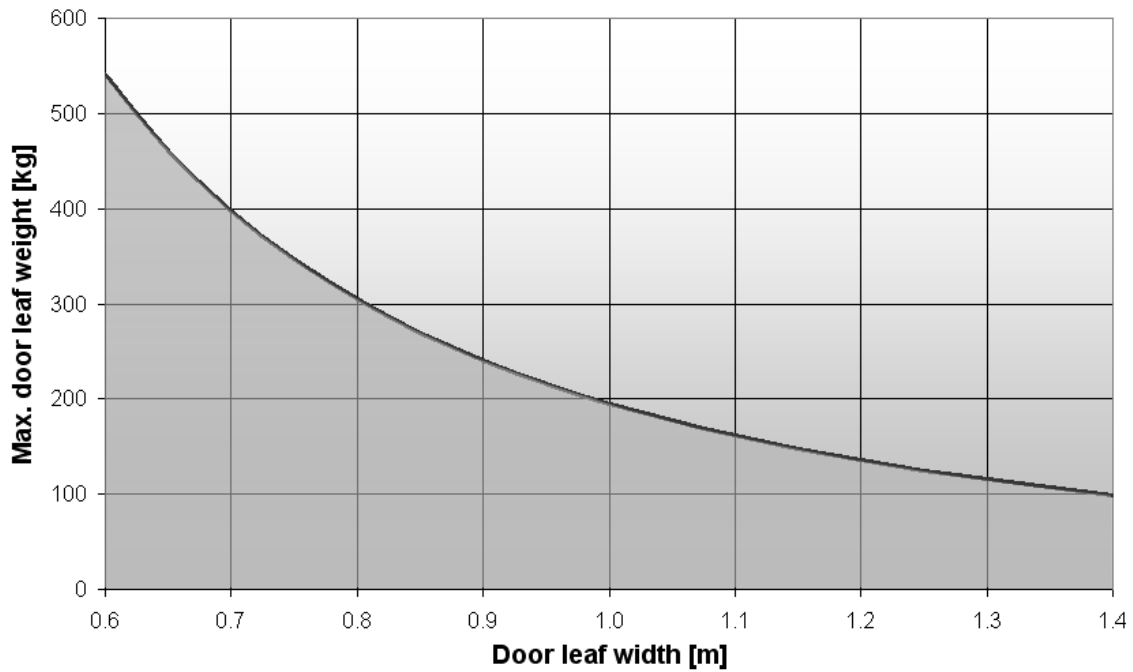


Installation Example with slide/glide arm:

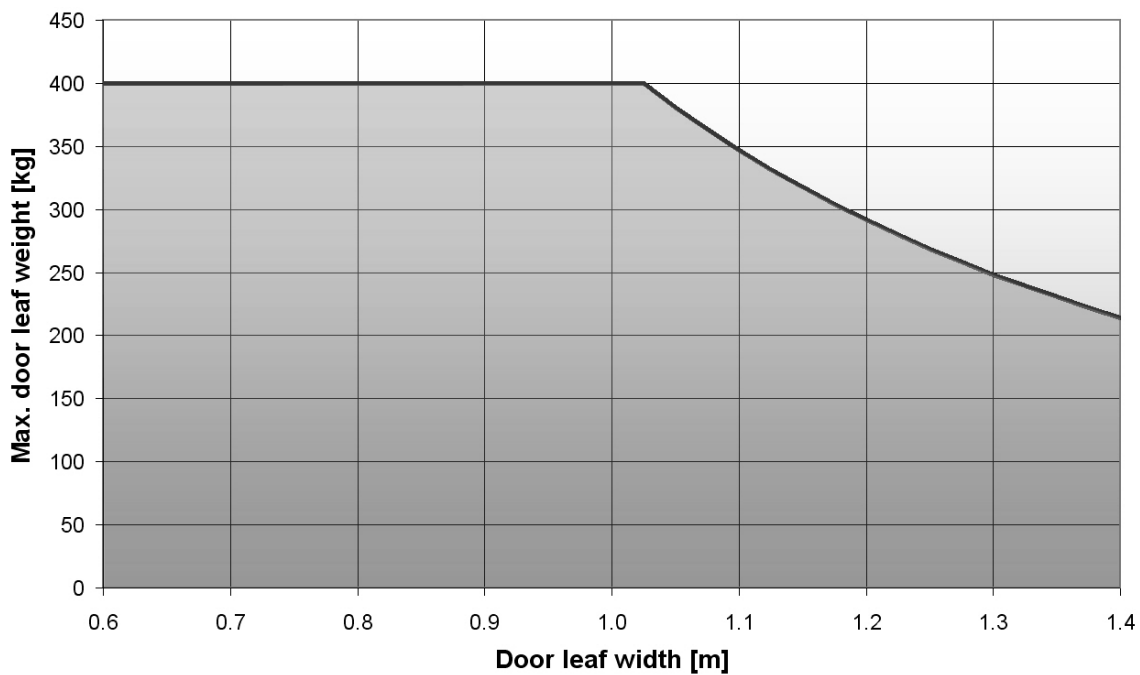


BLASI **C 127-SU** in-ground swing door operator

DOOR LEAF WEIHT & WIDTH FOR C127-STANDARD:



DOOR LEAF WEIHT & WIDTH FOR C127-HEAVY:



BLASI **C 127-SU** in-ground swing door operator

BASIC EQUIPMENT:

The drive unit S or H is supplied including the following basic parts and features:

1 no. basic operating switch with following modes/functions:

(OFF– Automatic – One Way – Hold Open)

1 no. spring-closer

Including the self closing spring-unit to close the door leaf even in the case of a power failure. The spring closer is fully adjustable with all features as seen with conventional floor-closers.

SURFACE:

The surface of the drive cover plate is executed in stainless steel 304 in standard satin finished. Other surface options are available upon request.

BASIC OPTIONS:

- Potential free monitoring contacts for the position of the door leaves available
- Full power and or low energy functions are available to suit all requirements
- Master-Slave execution for the use of two drives for a bi-part entrance application
- Pivot arm connector (strap) for all door leaves that are set in a top and bottom bearing
- Slide/glide arm connector for door leaves that are installed with a hinged application. Glide arm application allows a pull/push installation
- Left- or Right-Hand use with the same unit is possible as the unit is designed for both installation possibilities (UNIVERSAL INSTALL OPTION)
- Electromagnetic brake is also available to secure the swing door against wind load self opening effect

- Digital operating switch with display “BDE-D” for enhanced operation and status control
- Connection to trigger the electromechanical door-strike that will engage or disengage while the leaf has to close or open
- Connection for all conventional safety features such as light barriers, safety sensors etc.

DOOR-LEAVES:

Generally is the door leaf supplied by others respectively by the curtain wall contractor or local window supplier.

Basically is the C127 designed to receive all kind of door leaf profiles as there are two connection sets available for a pivot operated door or a hinged door leaf.

Weight of the door leaf for one standard unit C127-S can not exceed 250kg (551 lbs) or 400 kg (880 lbs) for the C127-H execution.

Optionally door leaves can also be provided by BLASI where a basic slim line profile made of aluminum will be used. This extrusion with a size of only 65 x 26mm can include a glass thickness of max. 12mm that will be wet-glazed. Please note that the BLASI aluminum profiles are not thermally broken.

Special profiles and door leaves can also be provided optionally for custom glazing such as triple glazing, bullet- or blast resistant glasses or panel door leaves on request.

REQUIREMENTS:




Door leaves must close or open against a final hard end stop such as a portal frame or closing stop angle plate. In door open position we do recommend the use of a floor mounted door-stop to protect and secure the opening angle for the door-leaf.

All cables and conduits to be supplied by others (as per wiring diagram by Blasi).

BLASI **C 127-SU** in-ground swing door operator

<p><u>TECHNICAL DATA:</u></p> <p>Dimensions: Power supply: Power consumption: Max. torque: Mass inertia of door leaf: Opening angle: Time delay: Opening speed: Closing speed: Noise & sound rating Protection class:</p>	<p>710 x 200 x 130 mm (stainless steel box, w x h x d) 230V~ (single phase, alternative current) Standby 13 W, rated power 67 W 80 Nm (C 127 H), 50 Nm (C 127 S) 140 kgm² (C 127 H), 65 kgm² (C 127 S) adjustable from 70° to 125° adjustable from 0 to 60 seconds (40 steps) adjustable from 3 to 20 seconds (40 steps) adjustable from 5 to 20 seconds (40 steps) 18 dB IP 67</p>
--	---

<p><u>ENVIRONMENTAL CONDITIONS:</u></p> <p>Temperature range: Humidity range: Wind load:</p>	<p>-15 to + 50 °C up to 85% relative humidity, non condensing designed for wind load zone 2 (25m/s)</p>
---	---

<p><u>CONTACT:</u></p> <p>BLASI GmbH Automatic Door Systems Carl-Benz-Str. 5 – 15 77972 Mahlberg / Germany</p> <p>P.: +49 7822 893-160 F.: +49 7822 893-169</p> <p>Email: sales@blasi.info Web: www.blasi.info</p> <div style="display: flex; align-items: center; gap: 20px;">   </div>	
--	--

NOTE: Blasi reserves the right for technical or content alterations without pre-notification at any time.