

### VOLTAGE

Available in 12 or 24 volt AC and DC. DC Continuous units are silent, AC intermittent units "buzz" on operation.

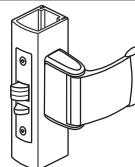
### CURRENT DRAW/AMPS

Volts	AC Int.	DC Cont.
12	1.42	.33
24	.74	.17

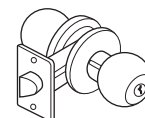
## 7100, 7101

ANSI/BHMA Type EO9321 (Grade 1)

### LATCH TYPE



Adams Rite or Cylindrical Latches with 1/2" to 5/8" Projection.

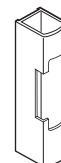


### DOOR FRAME TYPE



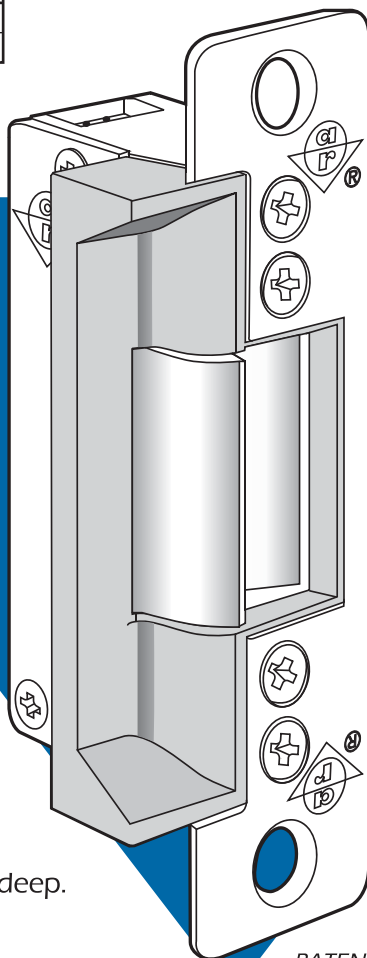
**7100**

Aluminum Jamb



**7101**

Aluminum Stiles



PATENTED

**UL Listed for Burglary Resistance**

### Case

Approx. 1" x 3-3/8" x 1-5/8" deep. Zinc-aluminum alloy.

### Strike Lip

Basic 7100 strike has lip of proper length for 1-3/4" thick door that closes flush with jamb edge. Where door thickness or jamb shape differs from this standard relationship, extended lip available, specified by last dash number. (Not available on 7101.)

### Fail Safe/Fail Secure

Field convertible from one mode to the other. However, AC intermittent solenoid must not be used continuously in either.

### Strike Opening

5/8" x 1-7/16" x 1/2" deep. Bolt retainer jaw is stainless steel. Strike accepts bolt of any Adams Rite 4500/4700/4900 Series deadlatch or cylindrical latches.

### Faceplate

Measures 1-1/4" x 4-7/8". 7100 has flat faceplate; 7101 is radiused to match nose on inactive leaf in a pair of narrow stile glass doors. Available in a wide range of architectural finishes.

### Function

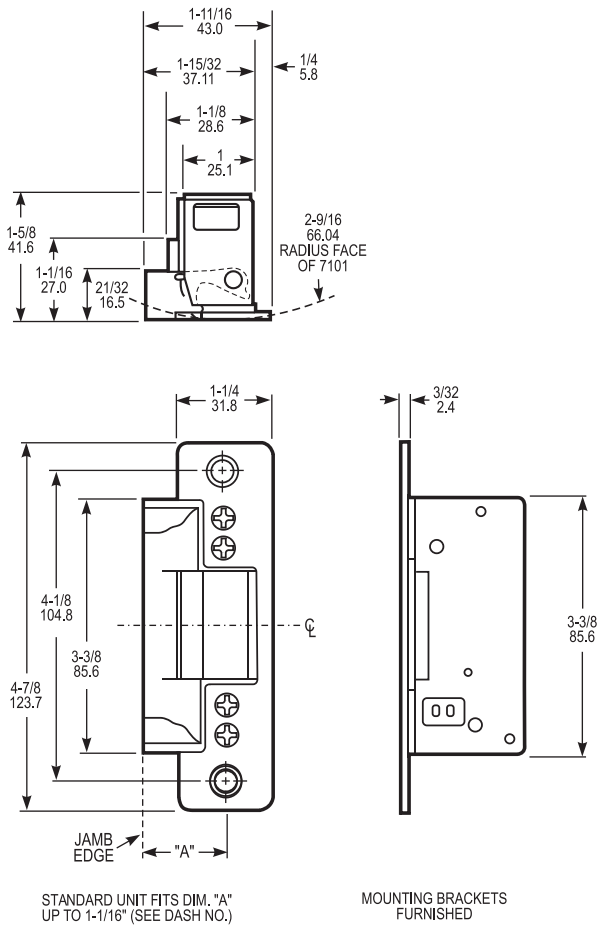
Remote electrical control of any door equipped with an Adams Rite Series 4500/4700/4900 (or similar) deadlatch or "key-in-knob" sets. Electrical actuation unlocks strike jaw, releasing latchbolt so door can be opened without operating latch itself. Extremely compact mechanism fits into aluminum jamb (or opposing door) sections as shallow as 1-5/8". Fits prep for 7500/7800/7000 Series.



# 7100, 7101 Electric Strike

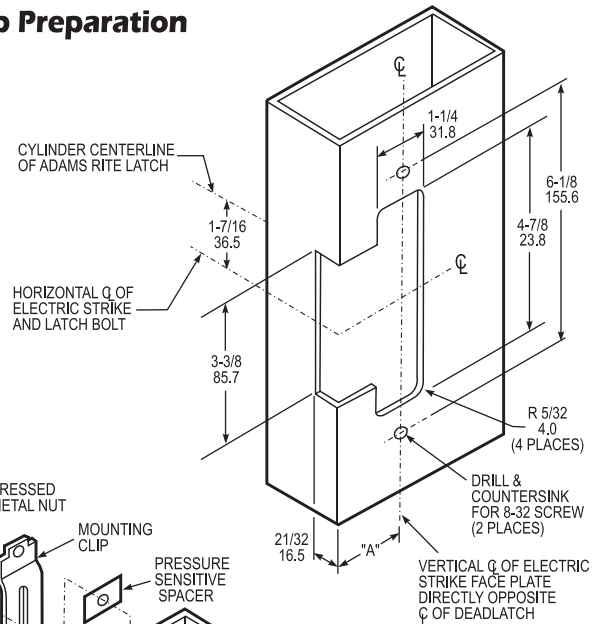
## DIMENSIONS

**INCHES  
MILLIMETERS**  
Nominal, subject to tolerance extremes.

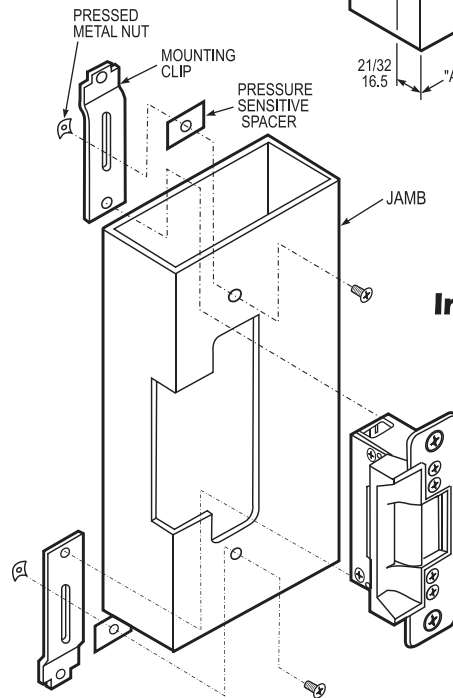


## INSTALLATION

### Jamb Preparation



### Installation



**Turn strike upside down for opposite hand.**

## HOW TO ORDER

Specify quantity and the following information.  
Order 4603 Rectifier and/or 4605 or 4606 Transformer separately.

Specify Model	Voltage	Current & Duty	Features*
<b>7100</b> Flat <b>7101</b> Radius	<b>3</b> 12 Volt <b>5</b> 24 Volt	<b>1</b> DC Continuous or Intermittent <b>4</b> AC Intermittent	<b>0</b> Std/Fail-Secure <b>5</b> Fail-Safe

**7100 - 310 - 628 - 00**

Finish**	7100 Lip Extension (Dim. "A") (Door Centerline to Jamb Edge)
<b>628</b> Clear Anodized	<b>00</b> 1.06" or less <b>07</b> 2.25"
<b>313</b> Dark Bronze Anod.	<b>01</b> 1.50" <b>08</b> 2.38"
<b>335</b> Black Anodized	<b>02</b> 1.63" <b>09</b> 2.50"
<b>626</b> Satin Chrome	<b>03</b> 1.75" <b>10</b> 2.63"
	<b>04</b> 1.88" <b>11</b> 2.75"
	<b>05</b> 2.00" <b>12</b> 2.88"
	<b>06</b> 2.13" <b>13</b> 3.00"

\*Fail-secure can be field converted to fail-safe or vice-versa.  
\*\*7101 available in 628, 313, 335 only.

## STANDARD PACKAGE

Individually boxed with mounting screws, mounting clips and adhesive shims to accommodate jamb or stile extrusion thickness greater or less than nominal 1/8 inch.

## OPTIONS

Choice of voltage in AC and DC for intermittent or continuous duty. Series 7100 (flat) available with extended strike lip (see chart). Specify assembled for either fail-secure (locked when unpowered) or fail-safe (locked when powered) operation, but can be field-converted to the other mode.

**4603 Rectifier** - Converts AC to DC, installs in low voltage line between transformer and strike. Rated 2 amps. (200 PIV).

**4605 Transformer** - Converts 120VAC to 12/24VAC. Rated 40 Volt-amp output assures plenty of power for strike release. Patented mounting bracket fits in knockout hole of standard junction boxes.

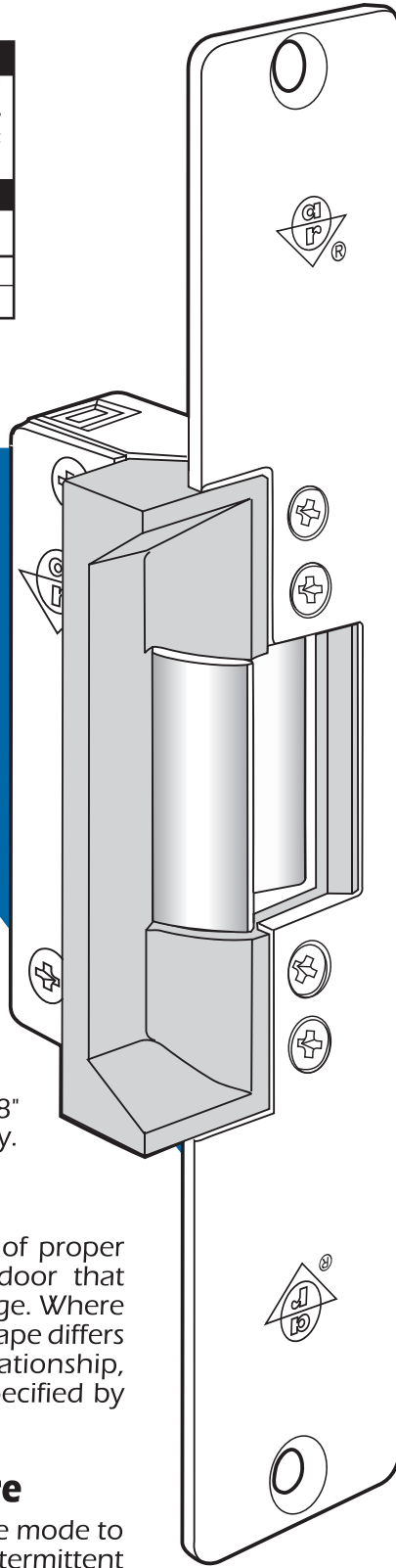
**4606 Transformer** - Plug-in version for standard wall outlet.  
See separate specification sheet for more information on Strike options.

### VOLTAGE

Available in 12 or 24 volt AC and DC. DC Continuous units are silent, AC intermittent units "buzz" on operation.

### CURRENT DRAW/AMPS

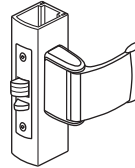
Volts	AC Int.	DC Cont.
12	1.42	.33
24	.74	.17



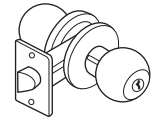
## 7110, 7111

ANSI/BHMA Type EO9321 (Grade 1)

### LATCH TYPE



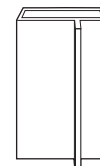
Adams Rite or Cylindrical Latches with 1/2" to 5/8" Projection.



### DOOR FRAME TYPE



Hollow Metal



Narrowline Aluminum



Wood

**UL Listed for Burglary Resistance**

### Case

Approx. 1" x 3-3/8" x 1-5/8" deep. Zinc-aluminum alloy.

### Strike Lip

Basic 7110 strike has lip of proper length for 1-3/4" thick door that closes flush with jamb edge. Where door thickness or jamb shape differs from this standard relationship, extended lip available, specified by last dash number.

### Fail Safe/Fail Secure

Field convertible from one mode to the other. However, AC intermittent solenoid must not be used continuously in either.

### Strike Opening

5/8" x 1-7/16" x 1/2" deep. Bolt retainer jaw is stainless steel. Strike accepts bolt of any Adams Rite 4500/4700/4900 Series deadlatch or cylindrical latches.

### Faceplate

Faceplate for 7110 measures 1-7/16" x 7-15/16". For 7111, faceplate is 1-7/16" x 10-1/4". Available in a wide range of architectural finishes.

### Function

Replaces earlier 002, 7510 or 7810 electric releases in either metal or wooden jambs for remote electrical control of any door equipped with cylindrical latchset or Adams Rite Series 4500/4700/4900 (or similar) deadlatch. Electrical actuation unlocks strike jaw, releasing latchbolt so door can be opened without operating latch itself. Extremely compact mechanism fits into jamb sections as shallow as 1-5/8".

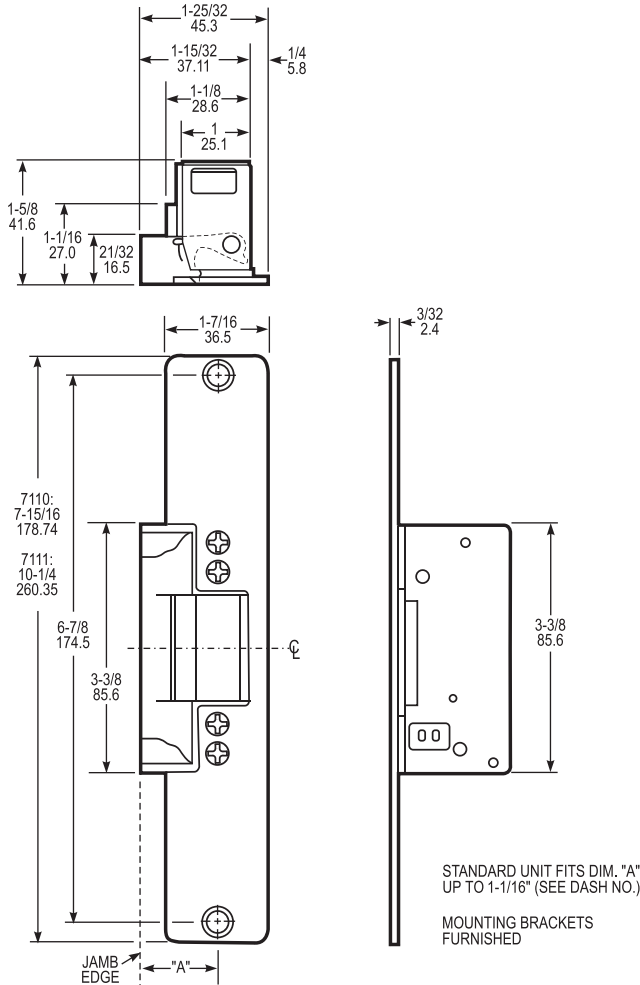


# 7110, 7111 Electric Strike

## DIMENSIONS

**INCHES  
MILLIMETERS**

Nominal, subject to tolerance extremes.



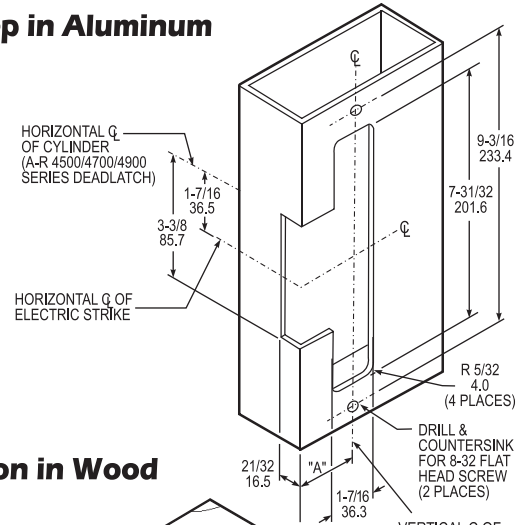
STANDARD UNIT FITS DIM. "A" UP TO 1-1/16" (SEE DASH NO.)

MOUNTING BRACKETS FURNISHED

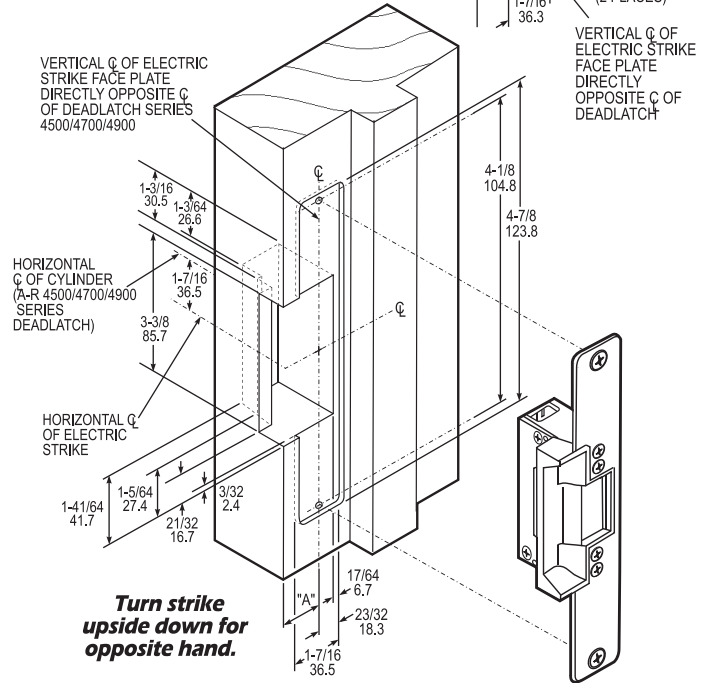
JAMB EDGE ← "A"

## INSTALLATION

### Jamb Prep in Aluminum



### Installation in Wood



**Turn strike upside down for opposite hand.**

## HOW TO ORDER

Specify quantity and the following information.  
Order 4603 Rectifier and/or 4605 or 4606 Transformer separately.

<b>Faceplate Length</b> 7110 7-15/16" 7111 10-1/4"	<b>Voltage</b> 3 12 Volt 5 24 Volt	<b>Current &amp; Duty</b> 1 DC Continuous or Intermittent 4 AC Intermittent	<b>Features*</b> 0 Std/Fail-Secure 5 Fail-Safe
--	--	---	--

**7110 - 310 - 652 - 00**

\*Fail-secure can be field converted to fail-safe or vice-versa.

**Finish**  
652 Satin Chrome

**Lip Extension (Dim. "A")**  
(Door Centerline to Jamb Edge)

00 1.06" or less	07 2.25"
01 1.50"	08 2.38"
02 1.63"	09 2.50"
03 1.75"	10 2.63"
04 1.88"	11 2.75"
05 2.00"	12 2.88"
06 2.13"	13 3.00"

## STANDARD PACKAGE

Individually boxed with mounting screws, mounting clips and adhesive shims to accommodate jamb or stile extrusion thickness greater or less than nominal 1/8 inch.

## OPTIONS

Choice of voltage in AC and DC for intermittent or continuous duty. Specify assembled for either fail-secure (locked when unpowered) or fail-safe (locked when powered) operation, but can be field-converted to the other mode. Model 7110 and 7111 are identical except for their faceplate length.

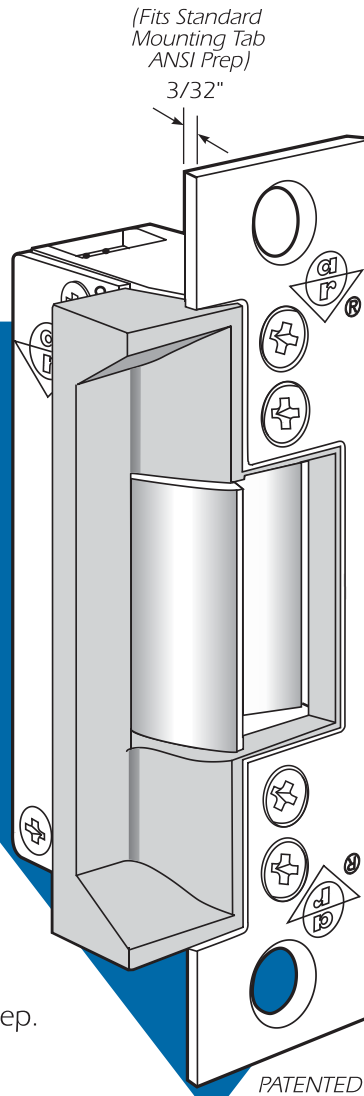
**4603 Rectifier** - Converts AC to DC, installs in low voltage line between transformer and strike. Rated 2 amps. (200 PIV).

**4605 Transformer** - Converts 120VAC to 12/24VAC. Rated 40 Volt-amp output assures plenty of power for strike release. Patented mounting bracket fits in knockout hole of standard junction boxes.

**4606 Transformer** - Plug-in version for standard wall outlet.

See separate specification sheet for more information on Strike options.

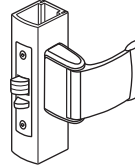
VOLTAGE		
Available in 12 or 24 volt AC and DC. DC Continuous units are silent, AC intermittent units "buzz" on operation.		
CURRENT DRAW/AMPS		
Volts	AC Int.	DC Cont.
12	1.42	.33
24	.74	.17



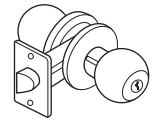
## 7140

ANSI/BHMA Type EO9321 (Grade 1)

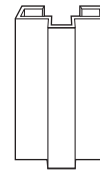
### LATCH TYPE



Adams Rite or Cylindrical Latches with 1/2" to 5/8" Projection.



### DOOR FRAME TYPE



Hollow Metal Jamb & Doors



Wood Jamb & Doors

**UL Listed for Burglary Resistance**

### Case

Approx. 1" x 3-3/8" x 1-5/8" deep.  
Made of Zinc-aluminum alloy.

### Strike Lip

Basic 7140 strikes have lip of proper length for 1-3/4" thick door that closes flush with jamb edge. Where door thickness or jamb shape differs from this standard relationship, extended lip is available, specified by last dash number.

### Function

Remote electrical control of any door equipped with cylindrical (key-in-knob/lever) type latchsets listed above. Electrical actuation unlocks strike jaw, releasing latchbolt, so door can be opened without operating latch itself. Extremely compact mechanism fits into jamb sections as shallow as 1-5/8". Fits existing preps for 7840AN and 7850/7040.

### Strike Opening

5/8" x 1-7/16" x 1/2" deep. Bolt retainer jaw is made of stainless steel.

### Faceplate

Measures 1-1/4" x 4-7/8". Faceplate is flat, with square corners. Available in a wide range of architectural finishes.

### Fail Safe/Fail Secure

Field convertible from one mode to the other. However, AC intermittent solenoid must not be used continuously in either.

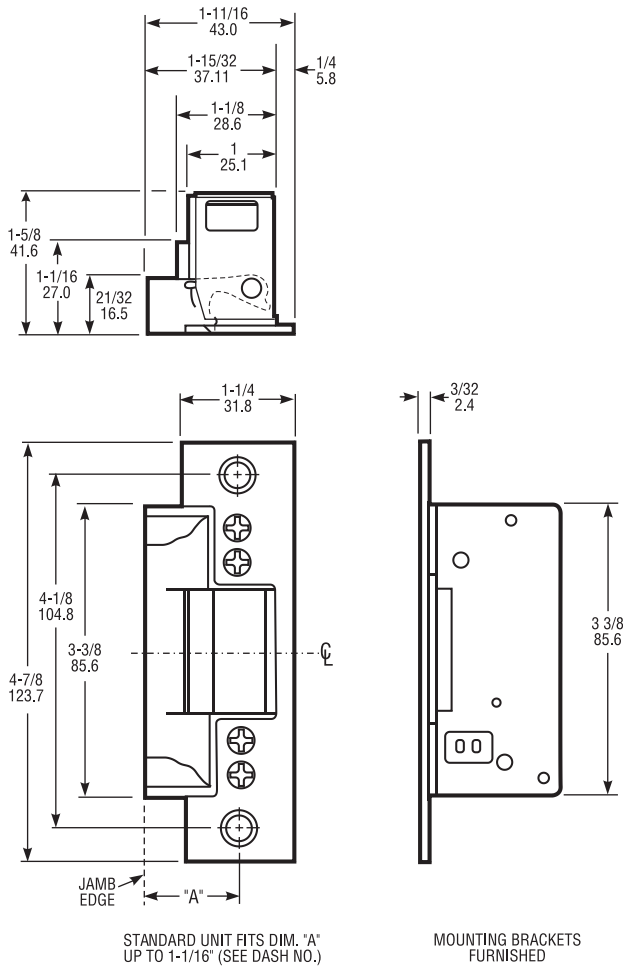


# 7140 Electric Strike

## DIMENSIONS

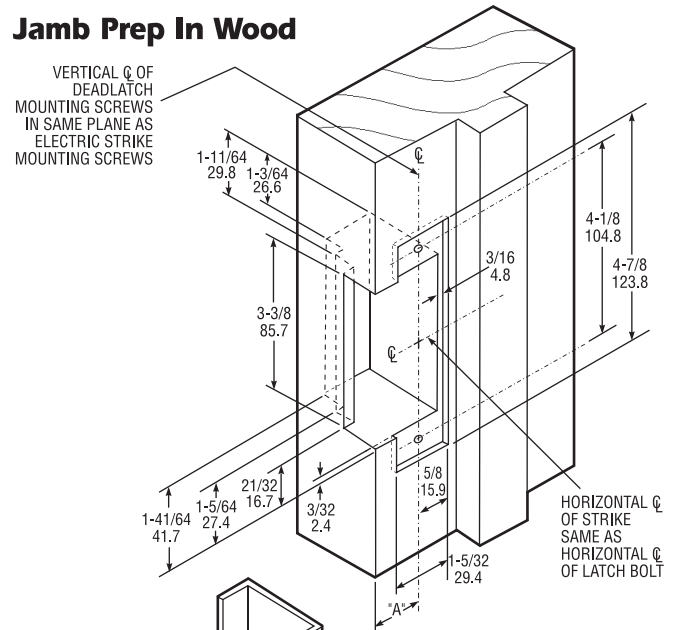
**INCHES  
MILLIMETERS**

Nominal, subject to tolerance extremes.

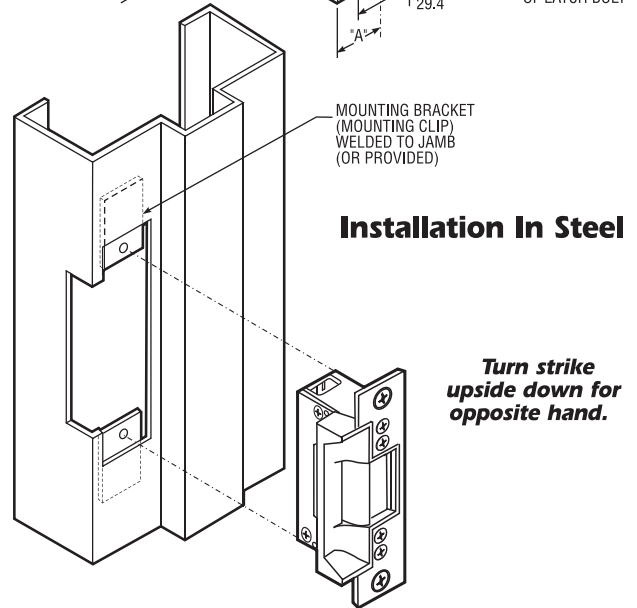


## INSTALLATION

### Jamb Prep In Wood



### Installation In Steel



## HOW TO ORDER

Specify quantity and the following information.  
Order 4603 Rectifier and/or 4605 or 4606 Transformer separately.

### Voltage

- 3** 12 Volt
- 5** 24 Volt

### Current & Duty

- 1** DC Continuous or Intermittent
- 4** AC Intermittent

### Features\*

- 0** Std/Fail-Secure
- 5** Fail-Safe

# 7140 - 310 - 628 - 00

### Finish

- 628** Clear Anodized
- 313** Dark Bronze Anod.
- 335** Black Anodized
- 626** Satin Chrome

### Lip Extension (Dim. "A")

- (Door Centerline to Jamb Edge)
- |                         |                 |
|-------------------------|-----------------|
| <b>00</b> 1.06" or less | <b>07</b> 2.25" |
| <b>50</b> 1.38"         | <b>08</b> 2.38" |
| <b>01</b> 1.50"         | <b>09</b> 2.50" |
| <b>02</b> 1.63"         | <b>10</b> 2.63" |
| <b>03</b> 1.75"         | <b>11</b> 2.75" |
| <b>04</b> 1.88"         | <b>12</b> 2.88" |
| <b>05</b> 2.00"         | <b>13</b> 3.00" |
| <b>06</b> 2.13"         |                 |

\*Fail-secure can be field converted to fail-safe or vice-versa.

## STANDARD PACKAGE

Individually boxed with mounting screws. Includes mounting clips and adhesive shims for use where welded tabs are omitted.

## OPTIONS

Choice of voltage in AC and DC for intermittent or continuous duty. Available with extended strike lip (see chart). Specify assembled for either fail-secure (locked when unpowered) or fail-safe (locked when powered) operation, but can be field-converted to the other mode.

**4603 Rectifier** - Converts AC to DC, installs in low voltage line between transformer and strike. Rated 2 amps. (200 PIV).

**4605 Transformer** - Converts 120VAC to 12/24VAC. Rated 40 Volt-amp output assures plenty of power for strike release. Patented mounting bracket fits in knockout hole of standard junction boxes.

**4606 Transformer** - Plug-in version for standard wall outlet.

See separate specification sheet for more information on Strike options.

### VOLTAGE

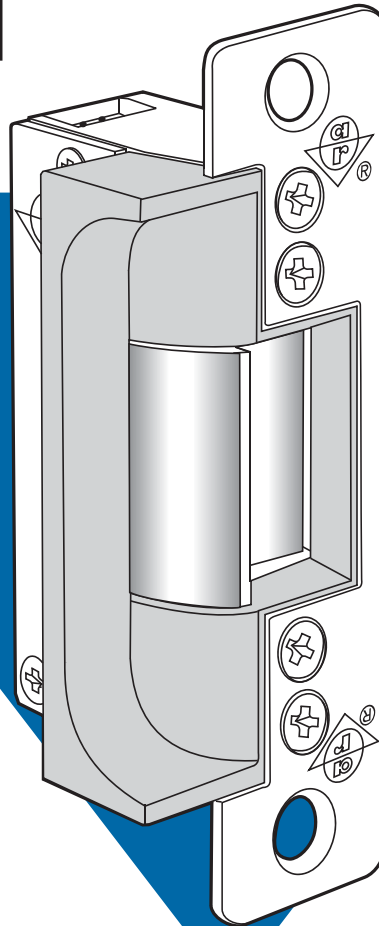
Available in 12 or 24 volt AC and DC. DC Continuous units are silent, AC intermittent units "buzz" on operation.

### CURRENT DRAW/AMPS

Volts	AC Int.	DC Cont.
12	1.42	.33
24	.74	.17

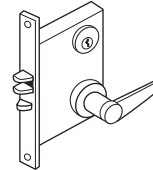
## 7160

ANSI/BHMA Type EO9321 (Grade 1)

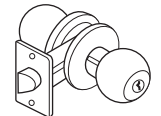


PATENTED

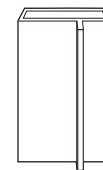
### LATCH TYPE



Mortise and Cylindrical Latches with 3/4" Projection without Deadbolt



### DOOR FRAME TYPE



Aluminum Jamb

All 3/4" throw latches require 1/8" minimum door gap. Horizontal center line of strike must match center line of mortise latchbolt.

**UL Listed for Burglary Resistance**

### Case

Approx. 1" x 3-3/8" x 1-7/8" deep. Zinc-aluminum alloy.

### Strike Lip

Basic 7160 strikes have lip of proper length for 1-3/4" thick door that closes flush with jamb edge. Where door thickness or jamb shape differs from this standard relationship, extended lip is available, specified by last dash number.

### Function

Remote electrical control of any door equipped with one of the mortise type latchsets listed at right. Electrical actuation unlocks strike jaw, releasing latchbolt so door can be opened without operating latch itself. Extremely compact mechanism fits into hollow jamb sections as shallow as 1-7/8". Fits prep for 7560/7860.

### Strike Opening

3/4" x 1-7/16" x 5/8" deep. Bolt retainer jaw is made of stainless steel. Strike location must be centered on latchbolt.

### Faceplate

Measures 1-1/4" x 4-7/8". Faceplate is flat, with radiused corners. Available in a wide range of architectural finishes.

### Fail Safe/Fail Secure

Field convertible from one mode to the other. However, AC intermittent solenoid must not be used continuously in either.

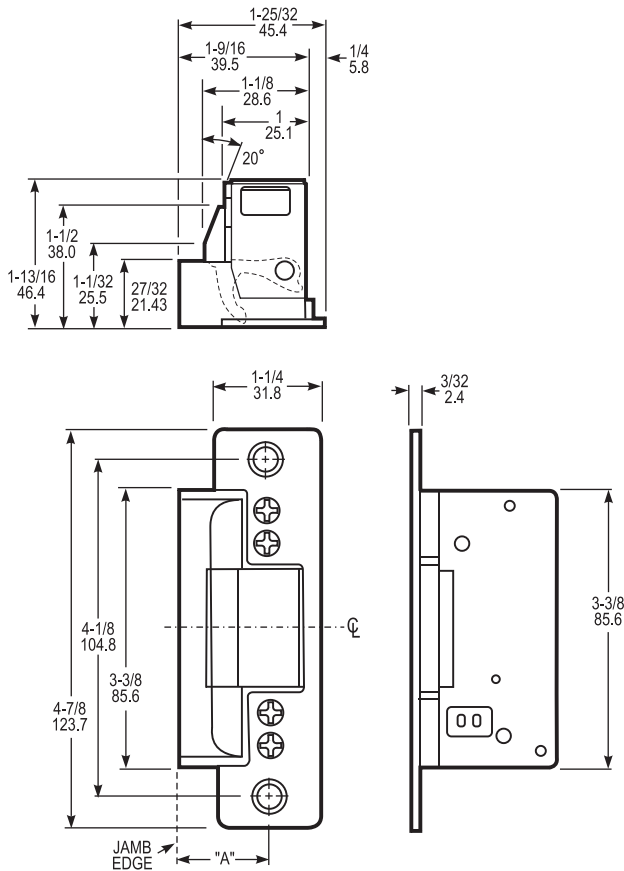


# 7160 Electric Strike

## DIMENSIONS

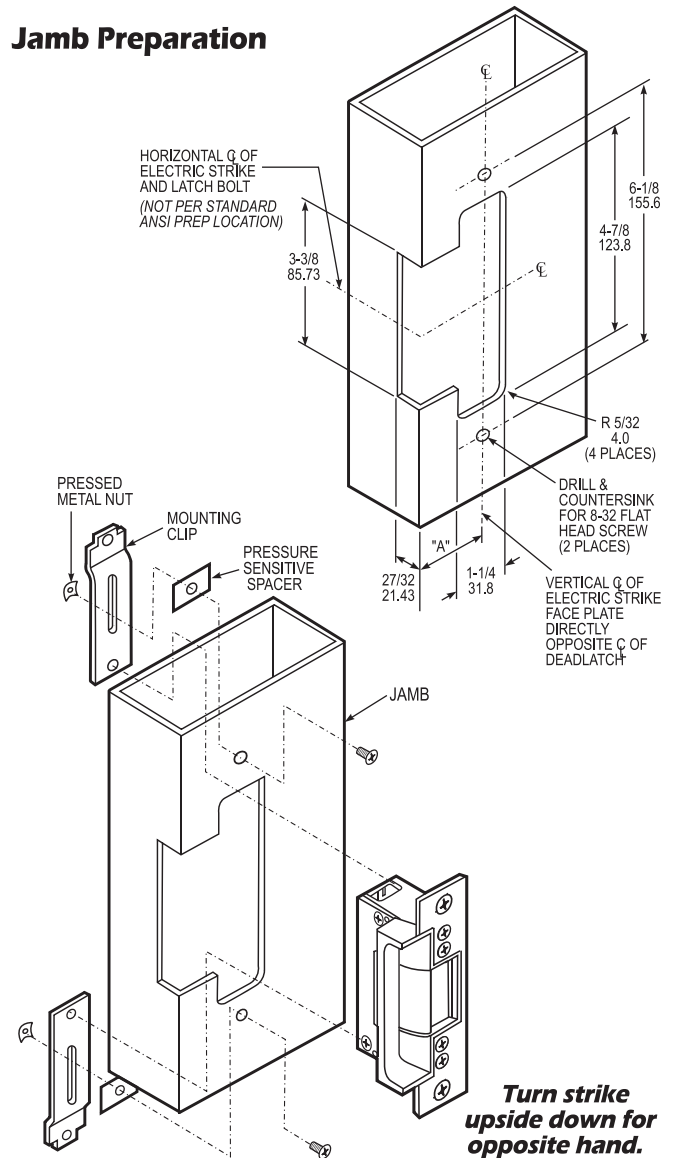
**INCHES  
MILLIMETERS**

Nominal, subject to tolerance extremes.



## INSTALLATION

### Jamb Preparation



## HOW TO ORDER

Specify quantity and the following information.  
Order 4603 Rectifier and/or 4605 or 4606 Transformer separately.

### Voltage

- 3** 12 Volt
- 5** 24 Volt

### Current & Duty

- 1** DC Continuous or Intermittent
- 4** AC Intermittent

### Features\*

- 0** Std/Fail-Secure
- 5** Fail-Safe
- 7** Monitor/Fail-safe
- 9** Monitor/Fail-Secure

# 7160 - 3 10 - 628 - 00

### Finish

- 628** Clear Anodized
- 313** Dark Bronze Anod.
- 335** Black Anodized
- 626** Satin Chrome

### Lip Extension (Dim. "A")

- (Door Centerline to Jamb Edge)
- 00** 1.06" or less
  - 01** 1.50"
  - 02** 1.63"
  - 03** 1.75"
  - 04** 1.88"
  - 05** 2.00"
  - 06** 2.13"
  - 07** 2.25"
  - 08** 2.38"
  - 09** 2.50"
  - 10** 2.63"
  - 11** 2.75"
  - 12** 2.88"
  - 13** 3.00"

\*Fail-secure can be field-converted to fail-safe or vice-versa.

## STANDARD PACKAGE

Individually boxed with mounting screws, mounting clips and adhesive shims to accommodate jamb extrusion thickness greater or less than nominal 1/8 inch.

## OPTIONS

Available with two monitoring signal switches which sense whether latch bolt is in strike and whether strike jaw is blocked. Choice of voltage in AC and DC for intermittent or continuous duty. Available with extended strike lip (see chart). Specify assembled for either fail-secure (locked when unpowered) or fail-safe (locked when powered) operation, but can be field-converted to the other mode.

**4603 Rectifier** - Converts AC to DC, installs in low voltage line between transformer and strike. Rated 2 amps. (200 PIV).

**4605 Transformer** - Converts 120VAC to 12/24VAC. Rated 40 Volt-amp output assures plenty of power for strike release. Patented mounting bracket fits in knockout hole of standard junction boxes.

**4606 Transformer** - Plug-in version for standard wall outlet.

See separate specification sheet for more information on Strike options.



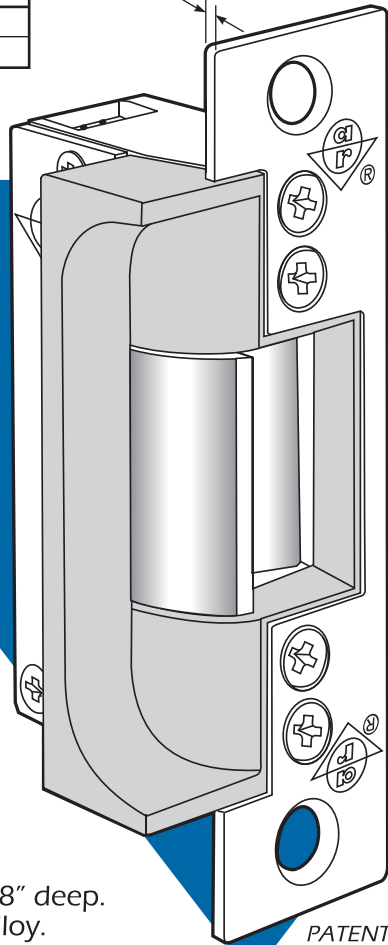
### VOLTAGE

Available in 12 or 24 volt AC and DC. DC Continuous units are silent, AC intermittent units "buzz" on operation.

### CURRENT DRAW/AMPS

Volts	AC Int.	DC Cont.
12	1.42	.33
24	.74	.17

(Fits Standard Mounting Tab ANSI Prep)  
3/32"

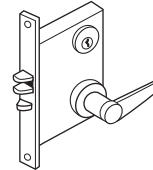


PATENTED

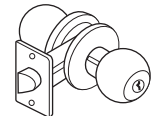
## 7170

ANSI/BHMA Type EO9321 (Grade 1)

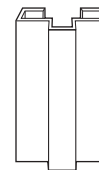
### LATCH TYPE



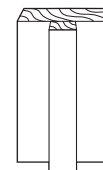
Mortise and Cylindrical Latches with 3/4" Projection without Deadbolt



### DOOR FRAME TYPE



Hollow Metal Jamb



Wood Jamb

All 3/4" throw latches require 1/8" minimum door gap. Horizontal center line of strike must match center line of mortise latchbolt.



### Case

Approx. 1" x 3-3/8" x 1-7/8" deep. Made of Zinc-aluminum alloy.

### Strike Lip

Basic 7170 strikes have lip of proper length for 1-3/4" thick door that closes flush with jamb edge. Where door thickness or jamb shape differs from this standard relationship, extended lip is available, specified by last dash number.

### Function

Remote electrical control of any door equipped with one of the Mortise Type latchsets listed above. Electrical actuation unlocks strike jaw, releasing latchbolt so door can be opened without operating latch itself. Extremely compact mechanism fits hollow jamb sections as shallow as 1-7/8". Fits prep for 7560AN/7860AN and 7570/7870.

### Strike Opening

5/8" x 1-7/16" x 5/8" deep. Bolt retainer jaw is made of stainless steel.

### Faceplate

Measures 1-1/4" x 4-7/8". Faceplate is flat, with square corners. Available in a wide range of architectural finishes.

### Fail Safe/Fail Secure

Field convertible from one mode to the other. However, AC intermittent solenoid must not be used continuously in either.

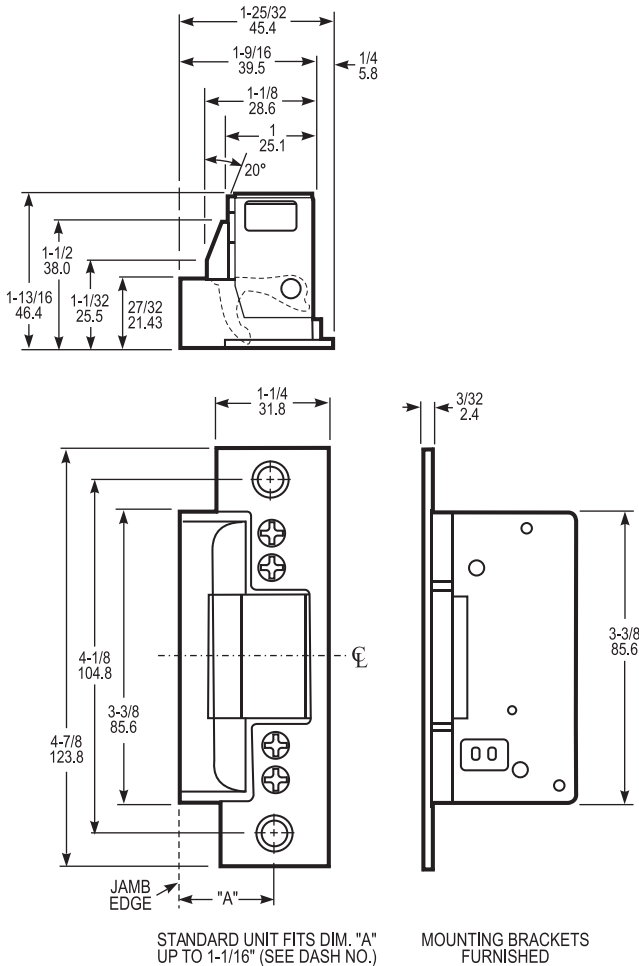


# 7170 Electric Strike

## DIMENSIONS

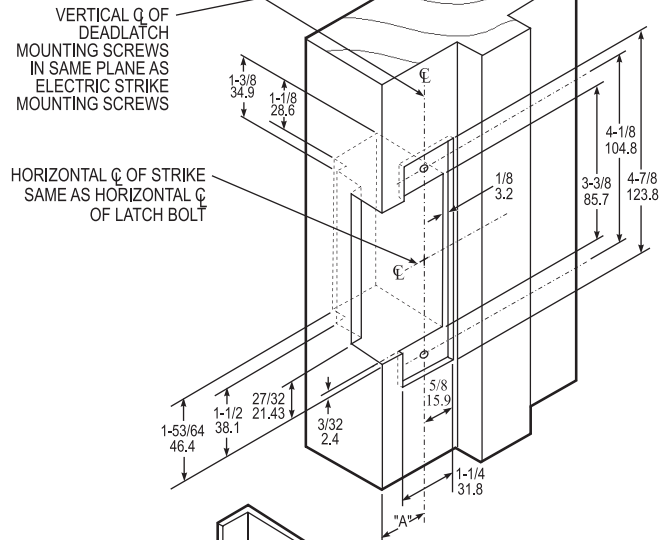
INCHES  
MILLIMETERS

Nominal, subject to tolerance extremes.

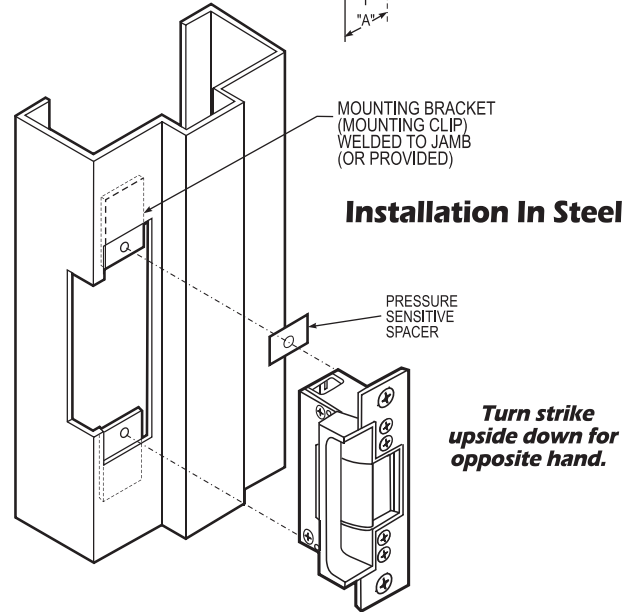


## INSTALLATION

### Jamb Prep In Wood



### Installation In Steel



## HOW TO ORDER

Specify quantity and the following information.  
Order 4603 Rectifier and/or 4605 or 4606 Transformer separately.

<b>Voltage</b> <b>3</b> 12 Volt <b>5</b> 24 Volt	<b>Current &amp; Duty</b> <b>1</b> DC Continuous or Intermittent <b>4</b> AC Intermittent	<b>Features*</b> <b>0</b> Std./Fail-Secure <b>5</b> Fail-Safe <b>7</b> Monitor/Fail-safe <b>9</b> Monitor/Fail-Secure
--	---	---

**7170 - 310 - 628 - 00**

<b>Finish</b> <b>628</b> Clear Anodized <b>313</b> Dark Bronze Anod. <b>335</b> Black Anodized <b>626</b> Satin Chrome	<b>Lip Extension (Dim. "A")</b> (Door Centerline to Jamb Edge) <b>00</b> 1.06" or less <b>07</b> 2.25" <b>50</b> 1.38" <b>08</b> 2.38" <b>01</b> 1.50" <b>09</b> 2.50" <b>02</b> 1.63" <b>10</b> 2.63" <b>03</b> 1.75" <b>11</b> 2.75" <b>04</b> 1.88" <b>12</b> 2.88" <b>05</b> 2.00" <b>13</b> 3.00" <b>06</b> 2.13"
--	---

\*Fail-secure can be field converted to fail-safe or vice-versa.

## STANDARD PACKAGE

Individually boxed with mounting screws. Includes mounting clips and adhesive shims for use where welded tabs are omitted.

## OPTIONS

Available with two monitoring signal switches which sense whether latch bolt is in strike and whether strike jaw is blocked. Choice of voltage in AC and DC for intermittent or continuous duty. Available with extended strike lip (see chart). Specify assembled for either fail-secure (locked when unpowered) or fail-safe (locked when powered) operation, but can be field-converted to the other mode.

**4603 Rectifier** - Converts AC to DC, installs in low voltage line between transformer and strike. Rated 2 amps. (200 PIV).

**4605 Transformer** - Converts 120VAC to 12/24VAC. Rated 40 Volt-amp output assures plenty of power for strike release. Patented mounting bracket fits in knockout hole of standard junction boxes.

**4606 Transformer** - Plug-in version for standard wall outlet.  
See separate specification sheet for more information on Strike options.

### VOLTAGE

Available in 12 or 24 volt AC and DC. DC Continuous units are silent, AC intermittent units "buzz" on operation.

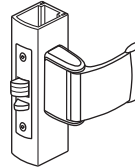
### CURRENT DRAW/AMPS

Volts	AC Int.	DC Cont.
12	1.42	.33
24	.74	.17

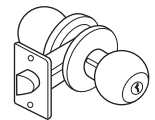
## 7130, 7131

ANSI/BHMA Type EO9321 (Grade 1)

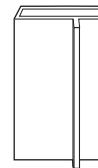
### LATCH TYPE



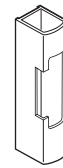
Adams Rite or Cylindrical Latches with 1/2" to 5/8" Projection.



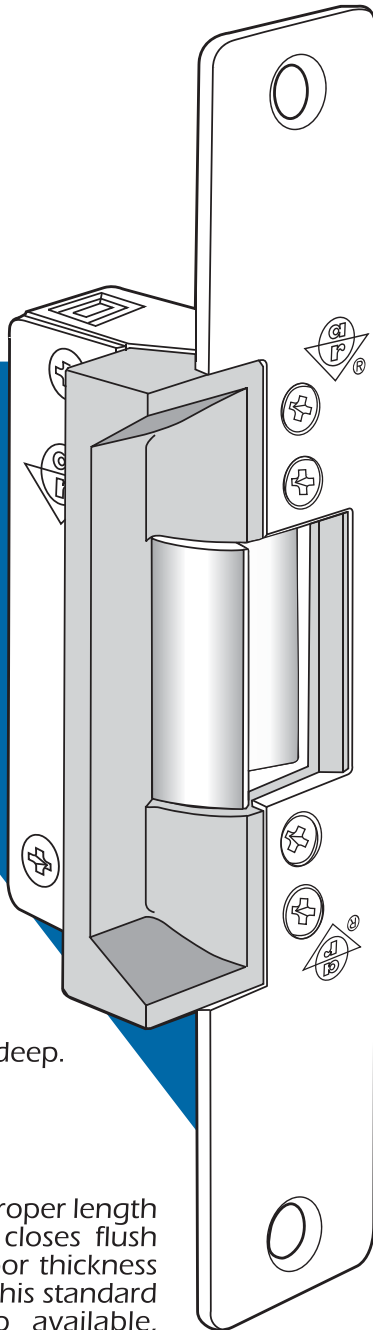
### DOOR FRAME TYPE



**7130**  
Aluminum Jamb



**7131**  
Aluminum Stiles



### ▼ Strike Opening

5/8" x 1-7/16" x 1/2" deep. Bolt retainer jaw is stainless steel. Strike accepts bolt of any Adams Rite 4500/4700/4900 Series deadlatch or cylindrical latches.

### ▼ Faceplate

Measures 1-1/4" x 6-7/8". 7130 has flat faceplate; 7131 is radiused to match nose on inactive leaf in a pair of narrow stile glass doors. Available in US28 (628) Clear Anodized, 313 (Dark Bronze Anodized) or 335 (Black Anodized).

### ▼ Function

Remote electrical control of any narrow stile or hollow metal door equipped with an Adams Rite Series 4500/4700/4900 (or similar) deadlatch. Large faceplate is designed to cover strike opening when converting from an MS<sup>®</sup> pivoted-bolt deadlock to a deadlatch. Electrical actuation unlocks strike jaw, releasing latchbolt so door can be opened without operating latch itself. Extremely compact mechanism fits into aluminum jamb (or opposing door) sections as shallow as 1-5/8". Replaces earlier 7030/7530/7830 Series.

**UL Listed for Burglary Resistance**

### ▼ Case

Approx. 1" x 3-3/8" x 1-5/8" deep. Zinc-aluminum alloy.

### ▼ Strike Lip

Basic 7130 strike has lip of proper length for 1-3/4" thick door that closes flush with jamb edge. Where door thickness or jamb shape differs from this standard relationship, extended lip available, specified by last dash number. (Not available for 7131.)

### ▼ Fail Safe/Fail Secure

Field convertible from one mode to the other. However, AC intermittent solenoid must not be used continuously in either.

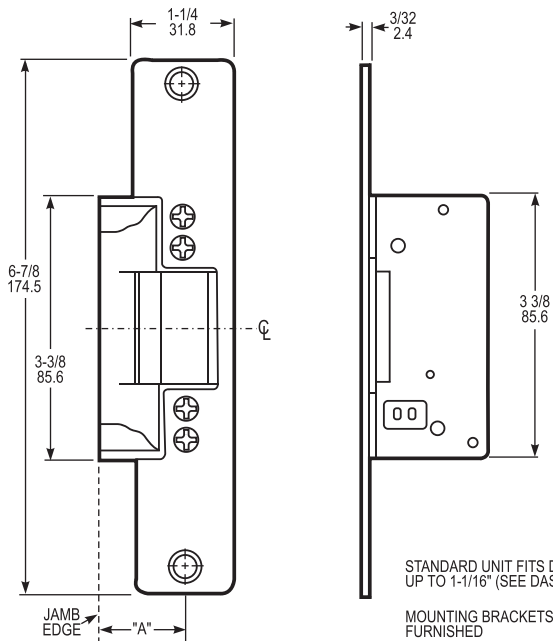
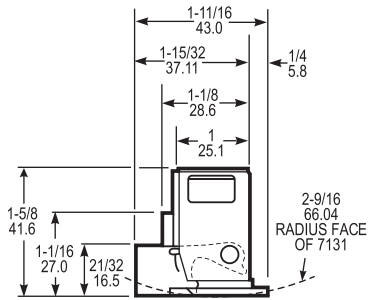


# 7130, 7131 Electric Strike

## DIMENSIONS

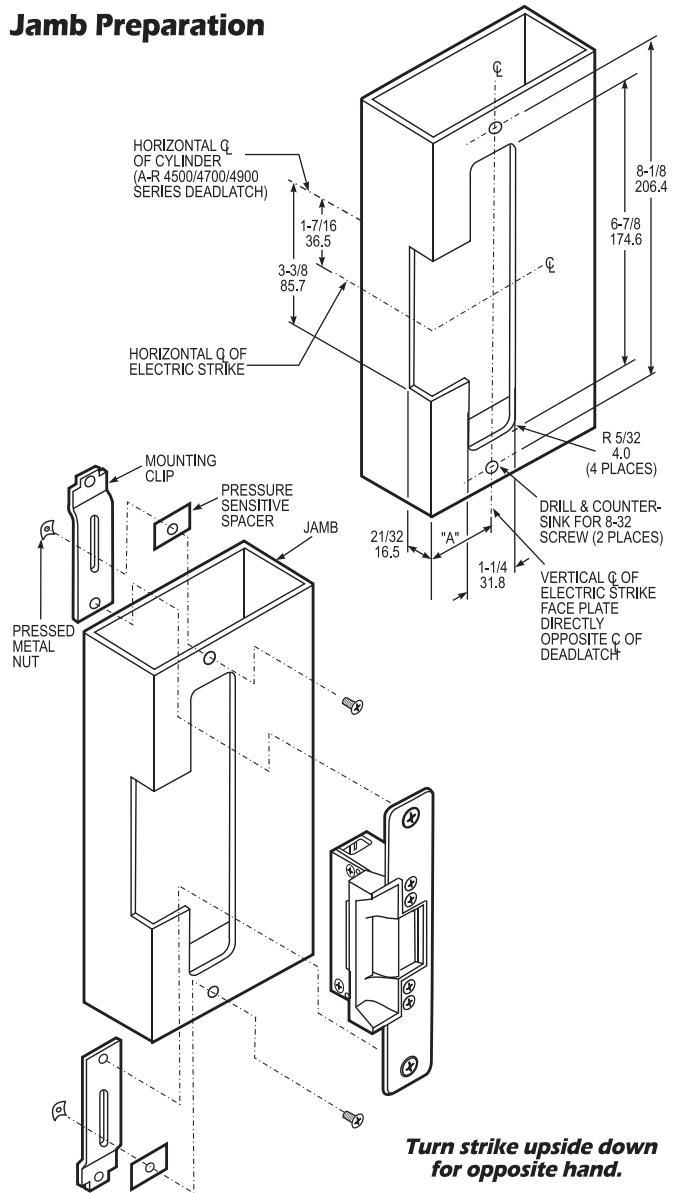
INCHES  
MILLIMETERS

Nominal, subject to tolerance extremes.



## INSTALLATION

### Jamb Preparation



## HOW TO ORDER

Specify quantity and the following information.  
Order 4603 Rectifier and/or 4605 or 4606 Transformer separately.

Specify Model	Voltage	Current & Duty	Features*
<b>7130</b> Flat	<b>3</b> 12 Volt	<b>1</b> DC Continuous or Intermittent	<b>0</b> Std./Fail-Secure
<b>7131</b> Radius	<b>5</b> 24 Volt	<b>4</b> AC Intermittent	<b>5</b> Fail-Safe

**7130 - 310 - 313 - 00**

Finish	7130 Lip Extension (Dim. "A") (Door Centerline to Jamb Edge)
<b>628</b> Clear Anodized	<b>00</b> 1.06" or less
<b>313</b> Dark Bronze Anod.	<b>01</b> 1.50"
<b>335</b> Black Anodized	<b>02</b> 1.63"
	<b>03</b> 1.75"
	<b>04</b> 1.88"
	<b>05</b> 2.00"
	<b>06</b> 2.13"
	<b>07</b> 2.25"
	<b>08</b> 2.38"
	<b>09</b> 2.50"
	<b>10</b> 2.63"
	<b>11</b> 2.75"
	<b>12</b> 2.88"
	<b>13</b> 3.00"

\*Fail-secure can be field-converted to fail-safe or vice-versa.

## STANDARD PACKAGE

Individually boxed with mounting screws, mounting clips and adhesive shims to accommodate jamb or stile extrusion thickness greater or less than nominal 1/8 inch.

## OPTIONS

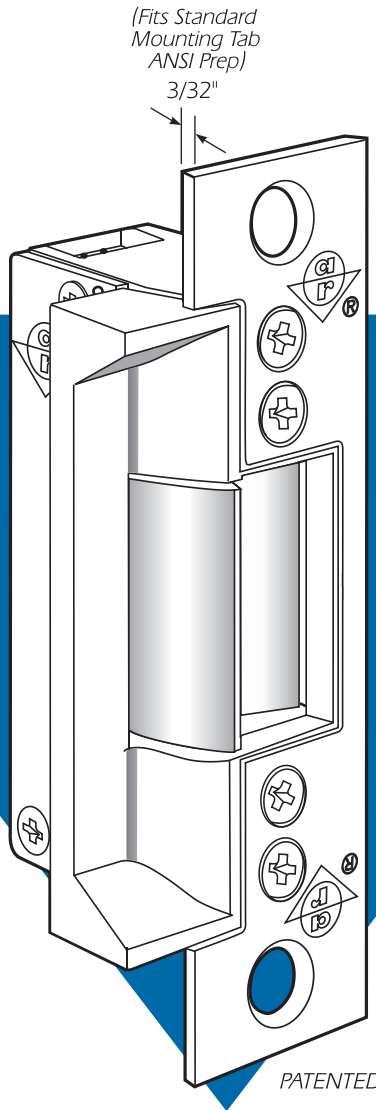
Choice of voltage in AC and DC for intermittent or continuous duty. Series 7130 (flat) available with extended strike lip (see chart). Specify assembled for either fail-secure (locked when unpowered) or fail-safe (locked when powered) operation, but can be field-converted to the other mode.

**4603 Rectifier** - Converts AC to DC, installs in low voltage line between transformer and strike. Rated 2 amps. (200 PIV).

**4605 Transformer** - Converts 120VAC to 12/24VAC. Rated 40 Volt-amp output assures plenty of power for strike release. Patented mounting bracket fits in knockout hole of standard junction boxes.

**4606 Transformer** - Plug-in version for standard wall outlet.  
See separate specification sheet for more information on Strike options.

VOLTAGE		
Available in 12 or 24 volt AC and DC. DC Continuous units are silent, AC intermittent units "buzz" on operation.		
CURRENT DRAW/AMPS		
Volts	AC Int.	DC Cont.
12	1.42	.33
24	.74	.17



## 7240 Fire-Rated

ANSI/BHMA Type EO9321 (Grade 1)  
 Fire-Rated in Fail-Secure Mode  
 For Hollow Metal Jamb

LATCH TYPE	
Fire-Rated Cylindrical Latches with up to 5/8" Projection	
DOOR FRAME TYPE	
	Hollow Metal

**UL Listed for Burglary Resistance.**  
**UL 10C for up to 3-hour Fire Door Assemblies.**

PATENTED

### ▼ Case

Approx. 1" x 3-3/8" x 1-5/8" deep. Made of Zinc-aluminum alloy.

### ▼ Function

Remote electrical control of any door equipped with cylindrical (key-in-knob/lever) type latchsets listed above. Electrical actuation unlocks strike jaw, releasing latchbolt, so door can be opened without operating latch itself. Extremely compact mechanism fits into jamb sections as shallow as 1-21/32".

### ▼ Strike Opening

5/8" x 1-7/16" x 9/16" deep. Bolt retainer jaw and strike lip are made of stainless steel. Strike accepts bolt from a variety of latchsets.

### ▼ Strike Lip

Basic 7240 strikes have lip of proper length for 1-3/4" thick door that closes flush with jamb edge.

### ▼ Faceplate

Measures 1-1/4" x 4-7/8". Faceplate is flat, with square corners.

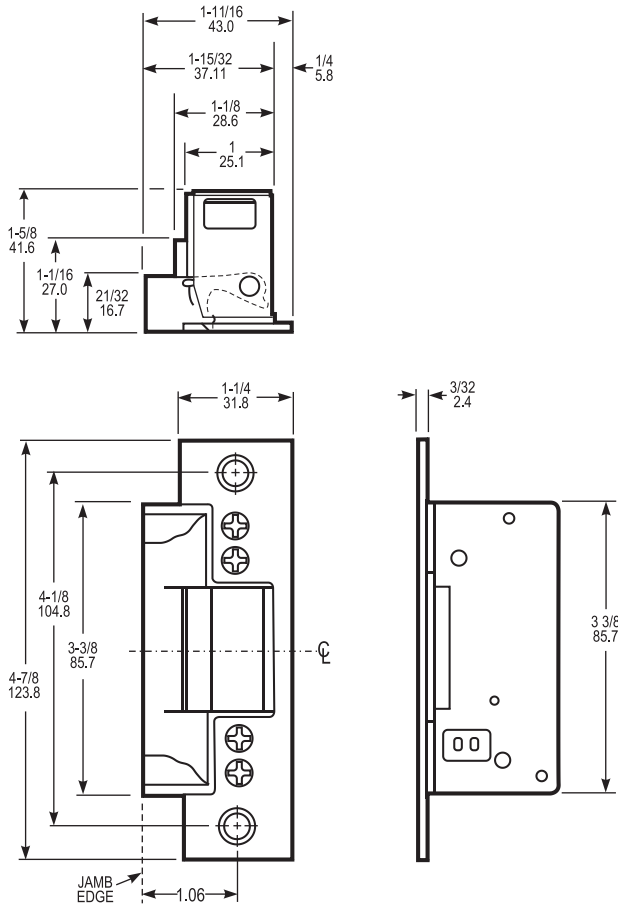


# 7240 Electric Strike

## DIMENSIONS

**INCHES  
MILLIMETERS**

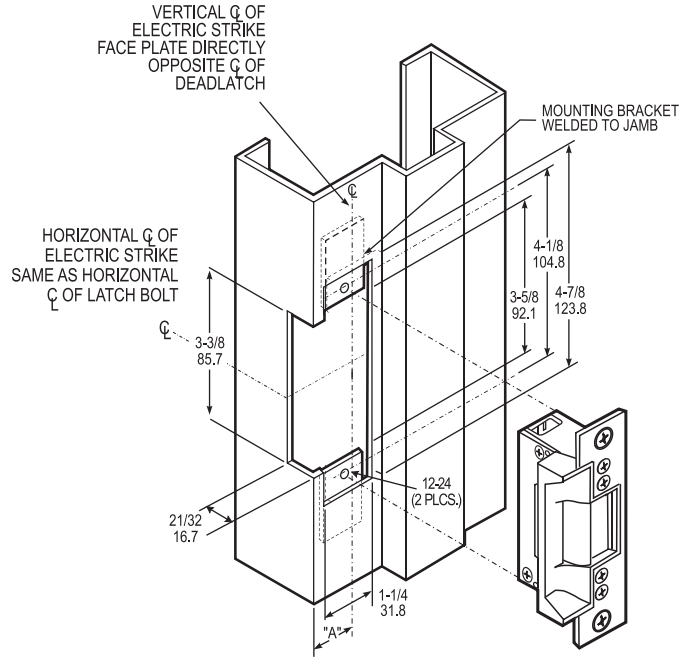
Nominal, subject to tolerance extremes.



STANDARD UNIT FITS DIM. "A"  
UP TO 1-1/16" (SEE DASH NO.)

MOUNTING BRACKETS  
FURNISHED

## INSTALLATION

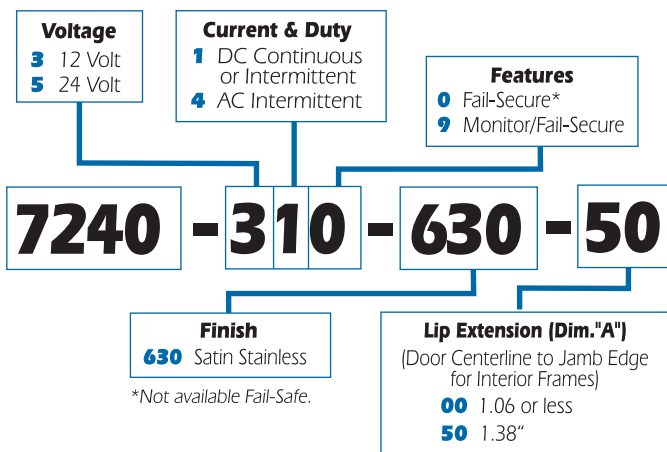


Turn strike  
upside down for  
opposite hand.

Installation In Steel Jamb

## HOW TO ORDER

Specify quantity and the following information.  
Order 4603 Rectifier and/or 4605 or 4606 Transformer separately.



## STANDARD PACKAGE

Individually boxed with mounting screws. Includes mounting clips and adhesive shims for use where welded tabs are omitted.

## OPTIONS

Available with two monitoring signal switches which sense whether latch bolt is in strike and whether strike jaw is blocked. Choice of voltage in AC and DC for intermittent or continuous duty. Assembled for fail-secure (locked when unpowered) operation.

**4603 Rectifier** - Converts AC to DC, installs in low voltage line between transformer and strike. Rated 2 amps. (200 PIV).

**4605 Transformer** - Converts 120VAC to 12/24VAC. Rated 40 Volt-amp output assures plenty of power for strike release. Patented mounting bracket fits in knockout hole of standard junction boxes.

**4606 Transformer** - Plug-in version for standard wall outlet.  
See separate specification sheet for more information on Strike options.

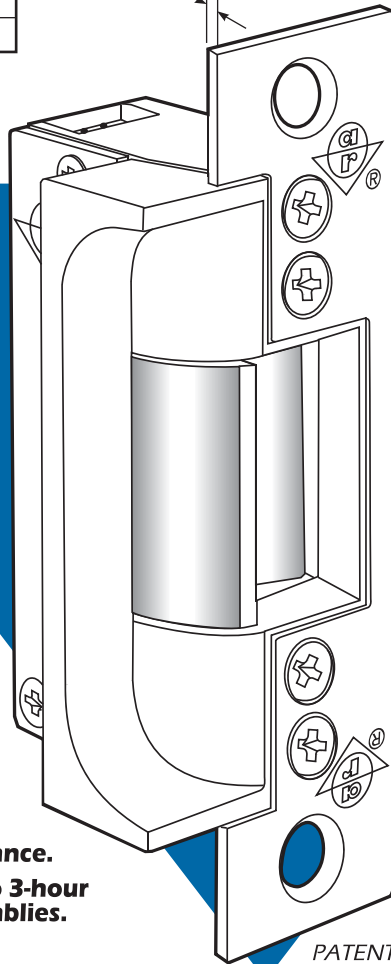
### VOLTAGE

Available in 12 or 24 volt AC and DC. DC Continuous units are silent, AC intermittent units "buzz" on operation.

### CURRENT DRAW/AMPS

Volts	AC Int.	DC Cont.
12	1.42	.33
24	.74	.17

(Fits Standard Mounting Tab ANSI Prep)  
3/32"



**UL Listed for Burglary Resistance.**  
**UL 10C for up to 3-hour Fire Door Assemblies.**

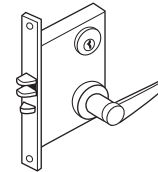
PATENTED

## 7270 Fire-Rated

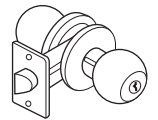
ANSI/BHMA Type EO9321

Fire-Rated in Fail-Secure Mode  
For Hollow Metal Jambs

### LATCH TYPE



Fire-Rated Mortise and Cylindrical Latches with 3/4" Projection without Deadbolt



### DOOR FRAME TYPE



Hollow Metal

All 3/4" throw latches require 1/8" minimum door gap. Horizontal center line of strike must match center line of mortise latchbolt.

### ▼ Strike Opening

3/4" x 1-7/16" x 5/8" deep. Bolt retainer jaw and strike lip are made of stainless steel. Strike accepts bolt of a variety of latchsets (or mortise panic exit devices) when it is centered on strike.

### ▼ Strike Lip

Basic 7270 strikes have lip of proper length for 1-3/4" thick door that closes flush with jamb edge.

### ▼ Faceplate

Measures 1-1/4" x 4-7/8". Faceplate is flat, with square corners.

### ▼ Case

Approx. 1" x 3-3/8" x 1-7/8" deep. Made of Zinc-aluminum alloy.

### ▼ Function

Remote electrical control of any door equipped with a Mortise Type latchset. Electrical actuation unlocks strike jaw, releasing latchbolt so door can be opened without operating latch itself. Extremely compact mechanism fits hollow jamb sections as shallow as 1-7/8".

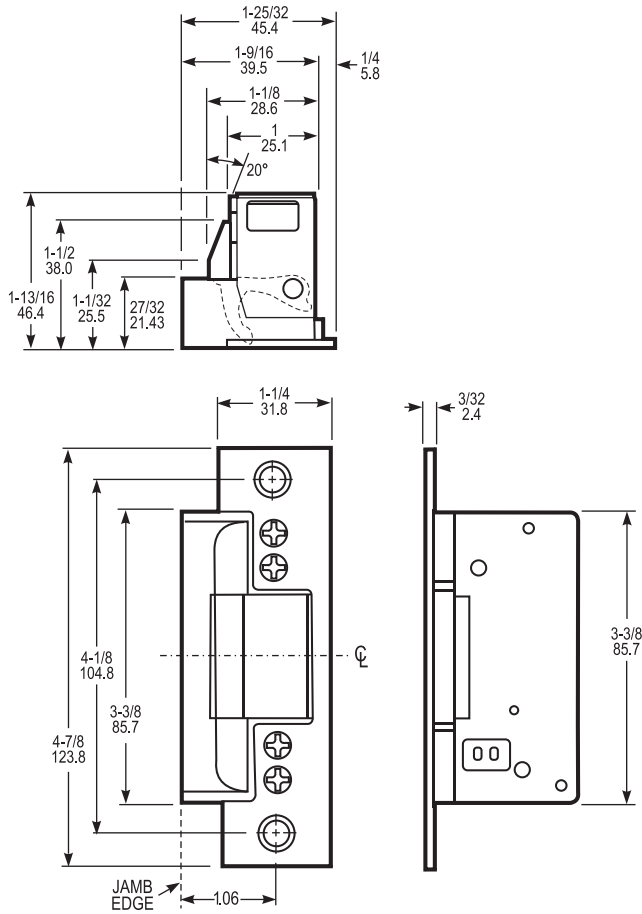


# 7270 Electric Strike

## DIMENSIONS

INCHES  
MILLIMETERS

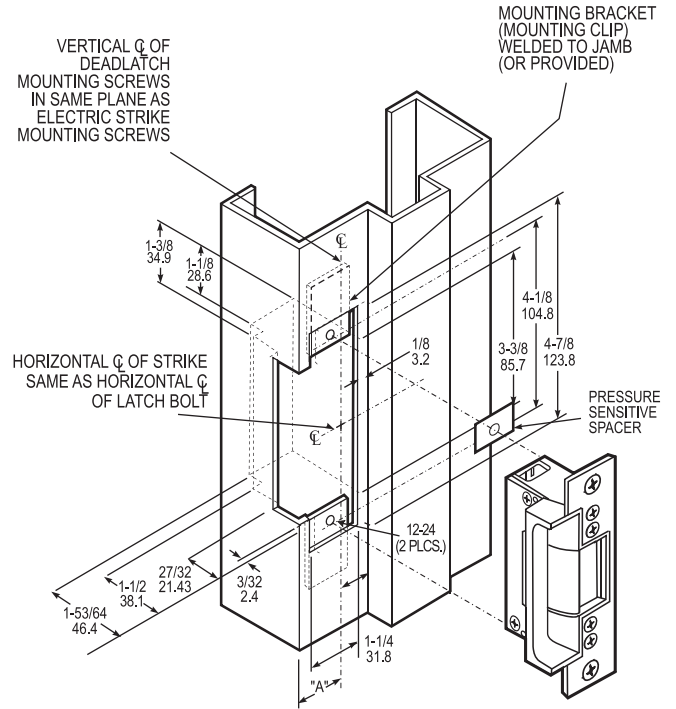
Nominal, subject to tolerance extremes.



STANDARD UNIT FITS DIM. "A" UP TO 1-1/16" (SEE DASH NO.)

MOUNTING BRACKETS FURNISHED

## INSTALLATION

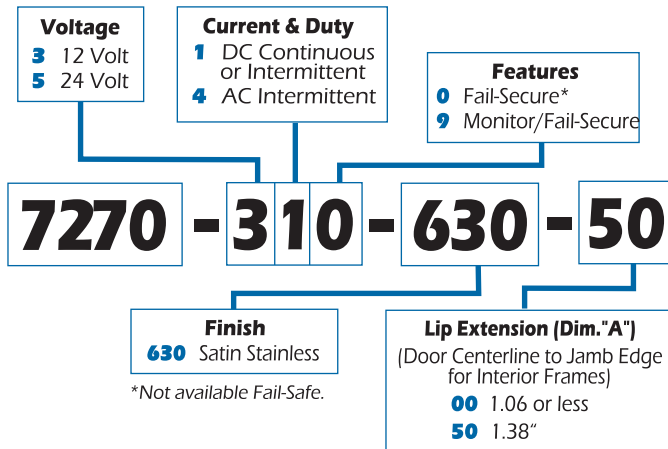


### Installation In Steel Jamb

Turn strike upside down for opposite hand.

## HOW TO ORDER

Specify quantity and the following information.  
Order 4603 Rectifier and/or 4605 or 4606 Transformer separately.



## STANDARD PACKAGE

Individually boxed with mounting screws. Includes mounting clips and adhesive shims for use where welded tabs are omitted.

## OPTIONS

Available with two monitoring signal switches which sense whether latch bolt is in strike and whether strike jaw is blocked. Choice of voltage in AC and DC for intermittent or continuous duty. Assembled for fail-secure (locked when unpowered) operation.

**4603 Rectifier** - Converts AC to DC, installs in low voltage line between transformer and strike. Rated 2 amps. (200 PIV).

**4605 Transformer** - Converts 120VAC to 12/24VAC. Rated 40 Volt-amp output assures plenty of power for strike release. Patented mounting bracket fits in knockout hole of standard junction boxes.

**4606 Transformer** - Plug-in version for standard wall outlet.  
See separate specification sheet for more information on Strike options.



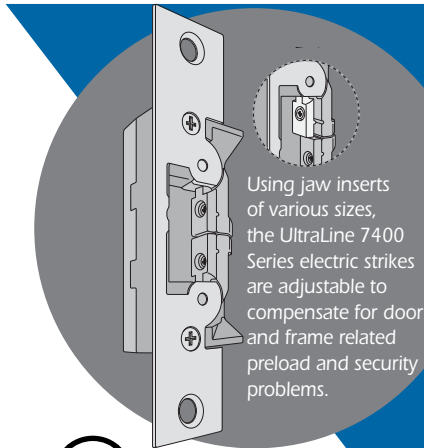
VOLTAGE		
Field selectable to match power source of 12, 16, or 24 VAC/VDC.		
CURRENT DRAW/AMPS		
Volts	AC	DC
12	.163	.440
16	.228	.458*
24	.084	.230

\*Requires 16 VDC adapter (P/N VA 7400-16VDC)

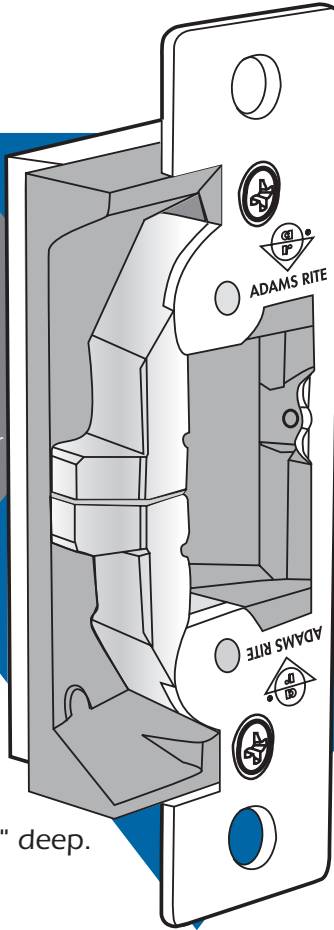
**Opens electrically under 35lbs. of preload!**

## ULTRA LINE 7400, 7401

ANSI/BHMA Type EO9321 (Grade 1)



**Listed for Burglary Resistance (UL1034)**



LATCH TYPE	
	Adams Rite or Cylindrical Latches with 1/2" to 5/8" Projection
DOOR FRAME TYPE	
	<b>7400</b> Aluminum Jamb
	<b>7401</b> Aluminum Stiles

### Faceplate

Measures 1-1/4" x 4-7/8". 7400 has flat faceplate; 7401 is radiused to match nose on inactive leaf in a pair of aluminum stile glass doors. Available in a wide range of architectural finishes.

### Function

Remote electrical control of any door equipped with an Adams Rite Series 4500/4700/4900 (or similar) deadlatch or "key-in-lever/cylindrical" sets. Electrical actuation unlocks strike jaw, releasing latchbolt so door can be opened without operating latch itself. Extremely compact mechanism fits into aluminum jamb (or opposing door) sections as shallow as 1-1/16". Direct replacement for 7500/7800/7000/7100 series.

This non-handed strike features an ultra-compact design and an adjustable stainless steel split-jaw with over 2400lbs. of holding force in fail-secure mode. The strike releases electrically with up to 35lbs. of door "preload" (pressure exerted on doors by air conditioning systems, warping or misaligned hardware which can disable common electric strikes). Single solenoid operates on 12, 16, or 24 volt AC/DC power. Strikes are equipped with a quick connect plug-in type connector.

### Case

Approx. 1" x 3-3/8" x 1-1/16" deep. Zinc-aluminum alloy.

### Strike Lip

Basic 7400 strike has lip of proper length for 1-3/4" thick door that closes flush with jamb edge. Where door thickness or jamb shape differs from this standard relationship, lip extension kits available. (Not available on 7401.)

### Fail-Safe/Fail-Secure

Field selectable at time of installation.

### Strike Opening

5/8" Adjustable x 1-7/16" x 1/2" deep. Bolt retainer jaw is stainless steel. Strike accepts bolt of any Adams Rite 4500/4700/4900 Series deadlatch or cylindrical latches.

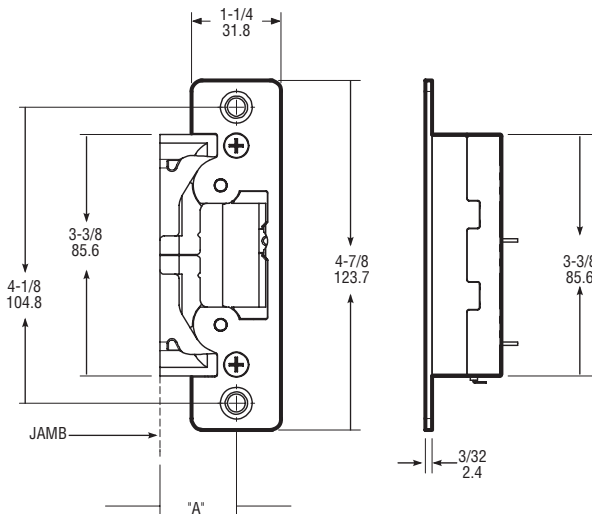
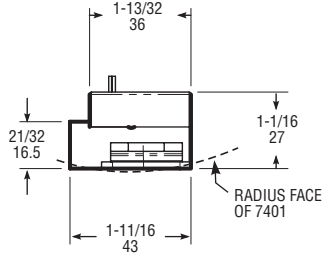


# 7400, 7401 Electric Strikes

## DIMENSIONS

INCHES  
MILLIMETERS

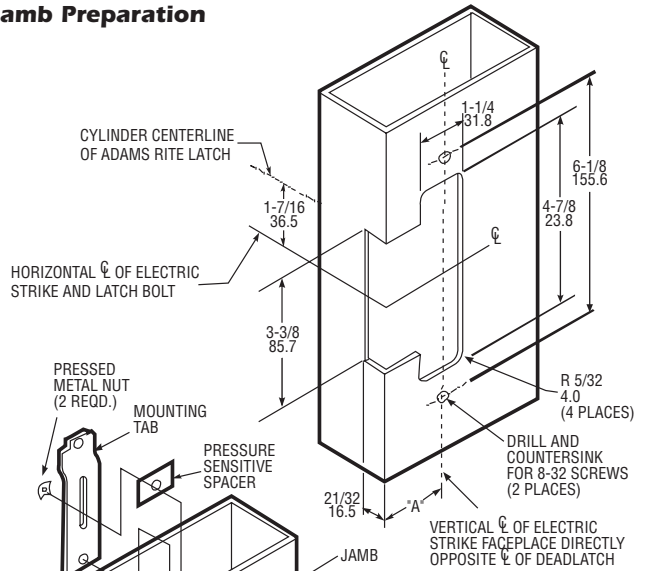
Nominal, subject of tolerance extremes



STANDARD UNIT FITS DIM "A" 1-1/16"  
MOUNTING BACKSETS FURNISHED

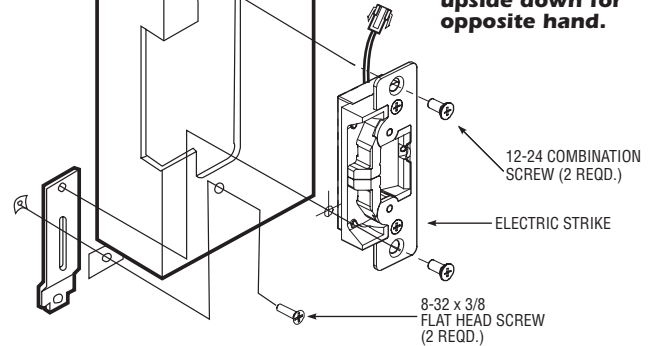
## INSTALLATION

### Jamb Preparation



### Installation

Turn strike upside  
upside down for  
opposite hand.



## HOW TO ORDER

Specify quantity and the following information.  
Order related hardware separately.

Fail-secure can be field  
converted to fail-safe  
or vice versa.

### Specify Model

**7400** Flat  
**7401** Radius\*\*

### Options

- None
- M** Monitored
- A** Modular Pack - Body Kit\*

# 7400 M 628

### Finish

- 628** Clear Anodized
- 605** Bright Brass
- 606** Satin Brass
- 611** Bright Bronze
- 612** Satin Bronze
- 313** Dark Bronze Anodized
- 335** Black Anodized
- 629** Bright Stainless
- 630** Satin Stainless

### Ritecoat Finish (7401 only)

- 130** to match 628 Clear Anodized
- 121** to match 313 Dark Bronze Anodized
- 119** to match 335 Black Anodized

\*Modular Packing Program - match body kit with faceplate kit to complete. Use 7400A for standard jambs and 7401A for radius stile mounting. No finish designation required.

## STANDARD PACKAGE

Individually boxed with mounting screws, mounting tabs, adhesive shims to accommodate jamb or stile extrusion thickness greater or less than nominal 1/8", an adjustable jaw shim pack and two plug-in voltage adapters for 12/16/24 VAC and 12/24 VDC.

## OPTIONS

**Monitoring** - Two internally mounted switches (Form "C") to indicate when the latchbolt is engaged in the strike jaws and a locked/unlocked solenoid status. See page ES-7 for more details.

**Power Sources** - 4605/4606 Transformer, 4603 Rectifier, and PS-1 Power Supply. See page ES-7 for more details.

**Lip Extension Kits** - See page ES-7 for a complete list.

**Modular Packaging** - Consult factory or sales representative for details.

**ELX-ElectroLynx™ Adapter** - Connects Adams Rite electrified products to ElectroLynx system.

**16 VDC Adapter** - VA7400-16VDC required when using 16VDC power.

VOLTAGE		
Field selectable to match power source of 12, 16, or 24 VAC/VDC.		
CURRENT DRAW/AMPS		
Volts	AC	DC
12	.163	.440
16	.228	.458*
24	.084	.230

\*Requires 16 VDC adapter (P/N VA 7400-16VDC)

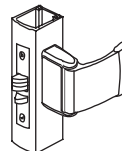
**Opens electrically under 35lbs. of preload!**

# ULTRA LINE

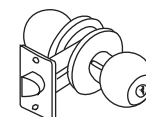
## 7410, 7411

ANSI/BHMA Type EO9321 (Grade 1)

### LATCH TYPE



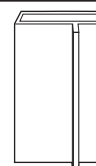
Adams Rite or Cylindrical Latches with 1/2" to 5/8" Projection



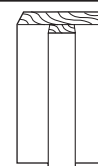
### DOOR FRAME TYPE



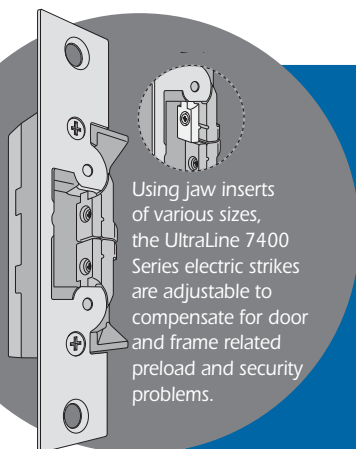
Hollow Metal



Narrowline Aluminum



Wood



Using jaw inserts of various sizes, the UltraLine 7400 Series electric strikes are adjustable to compensate for door and frame related preload and security problems.



Intertek

**Listed for Burglary Resistance (UL1034)**

### Case

Approx. 1" x 3-3/8" x 1-1/16" deep. Zinc-aluminum alloy.

### Strike Lip

Basic 7400 strike has lip of proper length for 1-3/4" thick door that closes flush with jamb edge. Where door thickness or jamb shape differs from this standard relationship, lip extension kits available.

### Fail-Safe/Fail-Secure

Field selectable at time of installation.

### Strike Opening

5/8" Adjustable x 1-7/16" x 1/2" deep. Bolt retainer jaw is stainless steel. Strike accepts bolt of any Adams Rite 4500/4700/4900 Series deadlatch or cylindrical latches.

### Faceplate

Measures 1-7/16" x 7-15/16" (7410) and 10-1/4" (7411). Available in a wide range of architectural finishes.

### Function

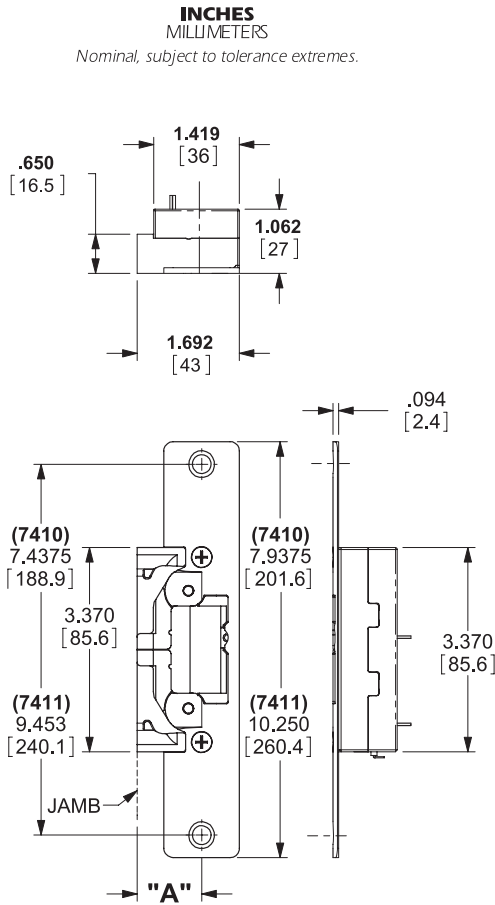
Replaces earlier 002, 7510, 7810 or 7110 electric releases in either metal or wooden jambs for remote electrical control of any door equipped with cylindrical latchset or Adams Rite Series 4500/4700/4900 (or similar) deadlatch. Electrical actuation unlocks strike jaw, releasing latchbolt so door can be opened without operating latch itself. Extremely compact mechanism fits into jamb sections as shallow as 1-1/16".

This non-handed strike features an ultra-compact design and an adjustable stainless steel split-jaw with over 2400lbs. of holding force in fail-secure mode. The strike releases electrically with up to 35lbs. of door "preload" (pressure exerted on doors by air conditioning systems, warping or misaligned hardware which can disable common electric strikes). Single solenoid operates on 12, 16, or 24 volt AC/DC power. Strikes are equipped with a quick connect plug-in type connector.



# 7410, 7411 Electric Strikes

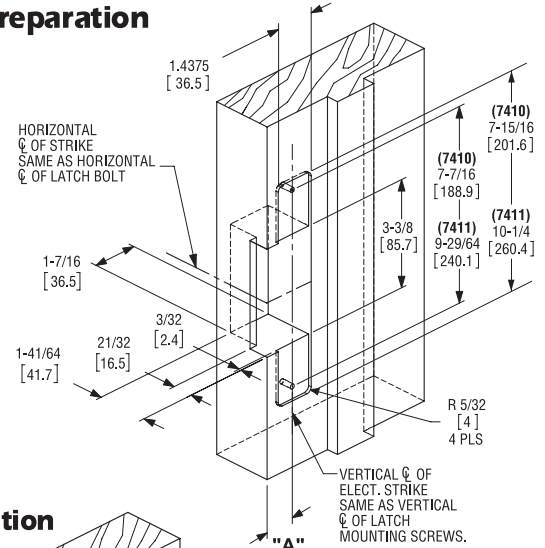
## DIMENSIONS



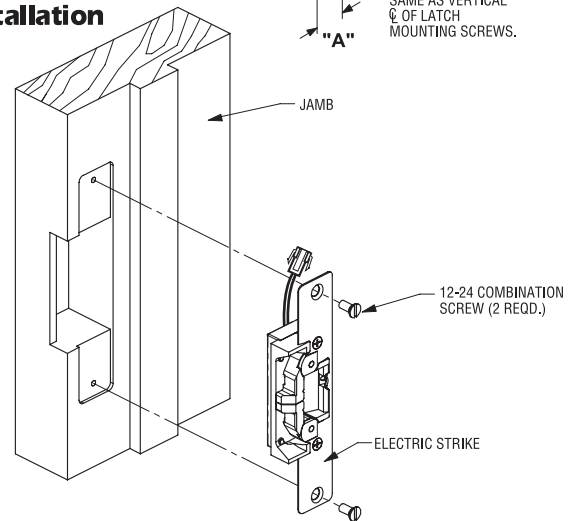
STANDARD UNIT FITS DIM "A"  
UP TO 1.06" ORDER LIP EXTENSION  
KITS AS REQUIRED.

## INSTALLATION

### Jamb Preparation



### Installation



## HOW TO ORDER

Specify quantity and the following information.  
Order related hardware separately.

Fail-secure can be field converted to fail-safe or vice versa.

**Faceplate Length**  
**7410** 7-15/16"  
**7411** 10-1/4"

**Options**  
- None  
**M** Monitored

**7410 M 628**

**Finish**  
**628** Clear Anodized  
**313** Dark Bronze Anodized  
**335** Black Anodized  
**630** Satin Stainless

\*Modular Packing Program - match body kit with faceplate kit to complete. Use 7400A for standard jambs and 7401A for radius stile mounting. No finish designation required.

## STANDARD PACKAGE

Individually boxed with mounting screws, mounting tabs, adhesive shims to accommodate jamb or stile extrusion thickness greater or less than nominal 1/8", an adjustable jaw shim pack and two plug-in voltage adapters for 12/16/24 VAC and 12/24 VDC.

## OPTIONS

**Monitoring** - Two internally mounted switches (Form "C") to indicate when the latchbolt is engaged in the strike jaws and a locked/unlocked solenoid status. See page ES-7 for more details.

**Power Sources** - 4605/4606 Transformer, 4603 Rectifier, and PS-1 Power Supply. See page ES-7 for more details.

**Lip Extension Kits** - See page ES-7 for a complete list.

**Modular Packaging** - Consult factory or sales representative for details.

**ELX-ElectroLynx™ Adapter** - Connects Adams Rite electrified products to ElectroLynx system.

**16 VDC Adapter** - VA7400-16VDC required when using 16VDC power.

VOLTAGE		
Field selectable to match power source of 12, 16, or 24 VAC/VDC.		
CURRENT DRAW/AMPS		
Volts	AC	DC
12	.163	.440
16	.228	.458*
24	.084	.230

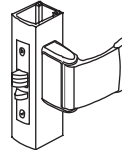
\*Requires 16 VDC adapter (P/N VA 7400-16VDC)

**Opens electrically under 35lbs. of preload!**

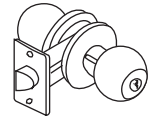
## ULTRA LINE 7430, 7431

ANSI/BHMA Type EO9321 (Grade 1)

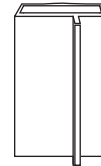
### LATCH TYPE



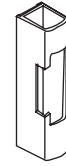
Adams Rite or Cylindrical Latches with 1/2" to 5/8" Projection



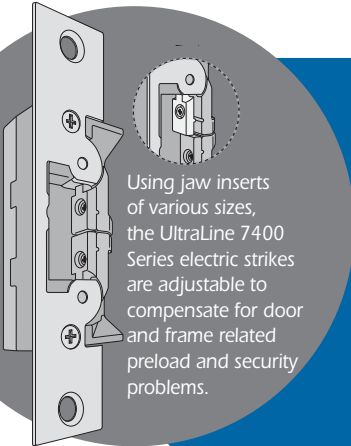
### DOOR FRAME TYPE



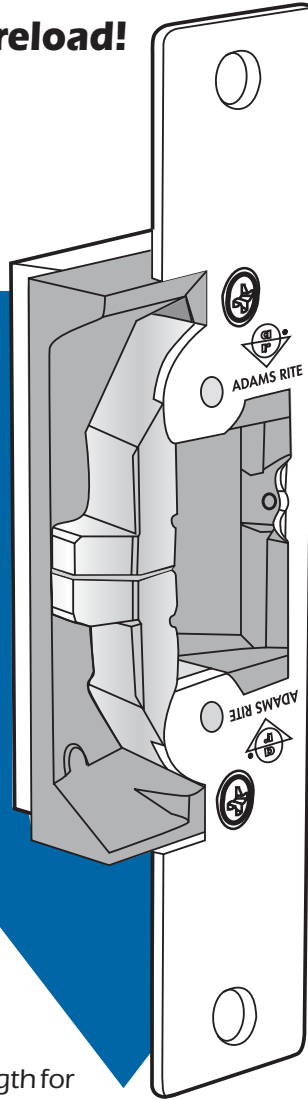
**7430**  
Aluminum Jamb



**7431**  
Aluminum Stiles



Using jaw inserts of various sizes, the UltraLine 7400 Series electric strikes are adjustable to compensate for door and frame related preload and security problems.



**Listed for Burglary Resistance (UL1034)**

### Case

Approx. 1" x 3-3/8" x 1-1/16" deep. Zinc-aluminum alloy.

### Strike Lip

Basic 7400 strike has lip of proper length for 1-3/4" thick door that closes flush with jamb edge. Where door thickness or jamb shape differs from this standard relationship, lip extension kits available. (Not available on 7431.)

### Fail-Safe/Fail-Secure

Field selectable at time of installation.

### Strike Opening

5/8" Adjustable x 1-7/16" x 1/2" deep. Bolt retainer jaw is stainless steel. Strike accepts bolt of any Adams Rite 4500/4700/4900 Series deadlatch or cylindrical latches.

### Faceplate

Measures 1-1/4" x 6-7/8". 7430 has flat faceplate; 7431 is radiused to match nose on inactive leaf in a pair of aluminum stile glass doors. Available in a wide range of architectural finishes.

### Function

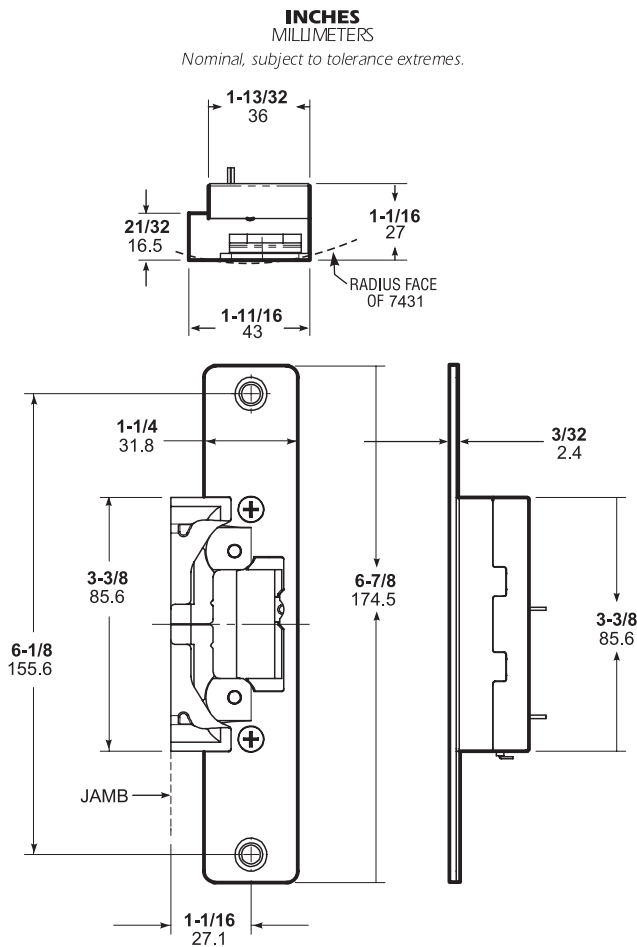
Remote electrical control of any narrow stiled or hollow metal door equipped with an Adams Rite Series 4500/4700/4900 (or similar) deadlatch. Large faceplate is designed to cover strike opening when converting from an MS<sup>®</sup> pivoted-bolt deadlock to a deadlatch. Electrical actuation unlocks strike jaw, releasing latchbolt so door can be opened without operating latch itself. Extremely compact mechanism fits into jamb sections as shallow as 1-1/16". Direct replacement for earlier 7030/7130/7530/7830 Series.

This non-handed strike features an ultra-compact design and an adjustable stainless steel split-jaw with over 2400lbs. of holding force in fail-secure mode. The strike releases electrically with up to 35lbs. of door "preload" (pressure exerted on doors by air conditioning systems, warping or misaligned hardware which can disable common electric strikes). Single solenoid operates on 12, 16, or 24 volt AC/DC power. Strikes are equipped with a quick connect plug-in type connector.



# 7430, 7431 Electric Strikes

## DIMENSIONS



STANDARD UNIT FITS DIM "A" 1-1/16" (SEE DASH NO.)  
MOUNTING BACKSETS FURNISHED

## HOW TO ORDER

Specify quantity and the following information.  
Order related hardware separately.

Fail-secure can be field converted to fail-safe or vice versa.

### Specify Model

**7430** Flat  
**7431** Radius

### Options

- None  
**M** Monitored

**7430** **M** **628**

### Finish

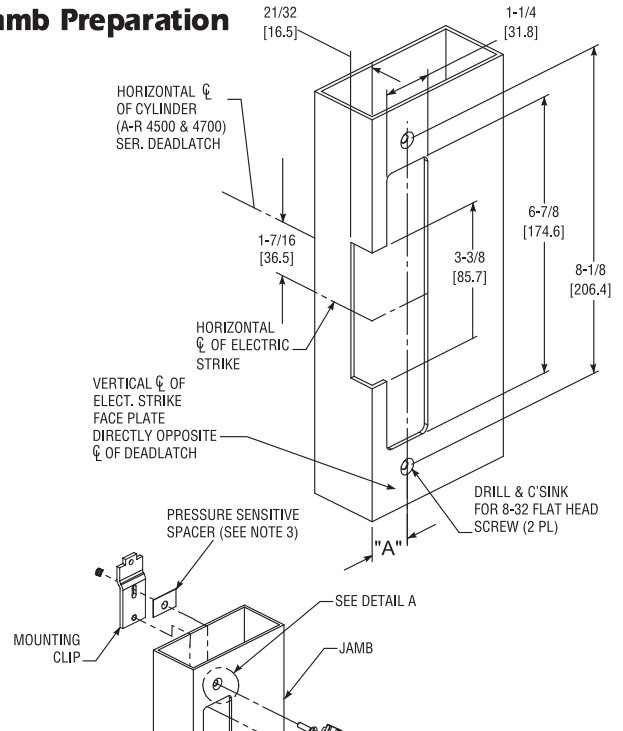
**628** Clear Anodized  
**313** Dark Bronze Anodized  
**335** Black Anodized

### Ritecoat Finish (7431 only)

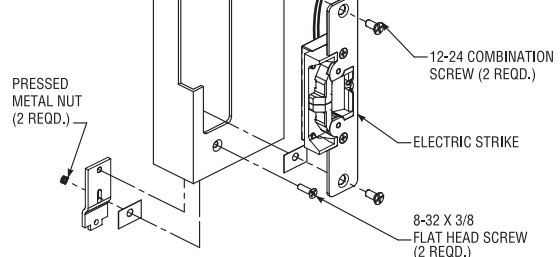
**130** to match 628 Clear Anodized  
**121** to match 313 Dark Bronze Anodized  
**119** to match 335 Black Anodized

## INSTALLATION

### Jamb Preparation



### Installation



## STANDARD PACKAGE

Individually boxed with mounting screws, mounting tabs, adhesive shims to accommodate jamb or stile extrusion thickness greater or less than nominal 1/8", an adjustable jaw shim pack and two plug-in voltage adapters for 12/16/24 VAC and 12/24 VDC.

## OPTIONS

**Monitoring** - Two internally mounted switches (Form "C") to indicate when the latchbolt is engaged in the strike jaws and a locked/unlocked solenoid status. See page ES-7 for more details.

**Power Sources** - 4605/4606 Transformer, 4603 Rectifier, and PS-1 Power Supply. See page ES-7 for more details.

**Lip Extension Kits** - See page ES-7 for a complete list.

**Modular Packaging** - Consult factory or sales representative for details.

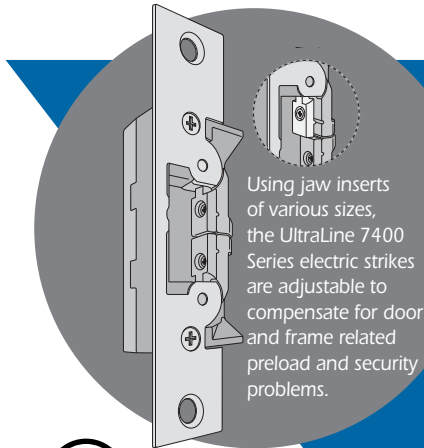
**ELX-ElectroLynx™ Adapter** - Connects Adams Rite electrified products to ElectroLynx system.

**16 VDC Adapter** - VA7400-16VDC required when using 16VDC power.

VOLTAGE		
Field selectable to match power source of 12, 16, or 24 VAC/VDC.		
CURRENT DRAW/AMPS		
Volts	AC	DC
12	.163	.440
16	.228	.458*
24	.084	.230

\*Requires 16 VDC adapter (P/N VA 7400-16VDC)

**Opens electrically under 35lbs. of preload!**



Intertek

Listed for Burglary Resistance (UL1034)

## Case

Approx. 1" x 3-3/8" x 1-1/16" deep. Zinc-aluminum alloy.

## Strike Lip

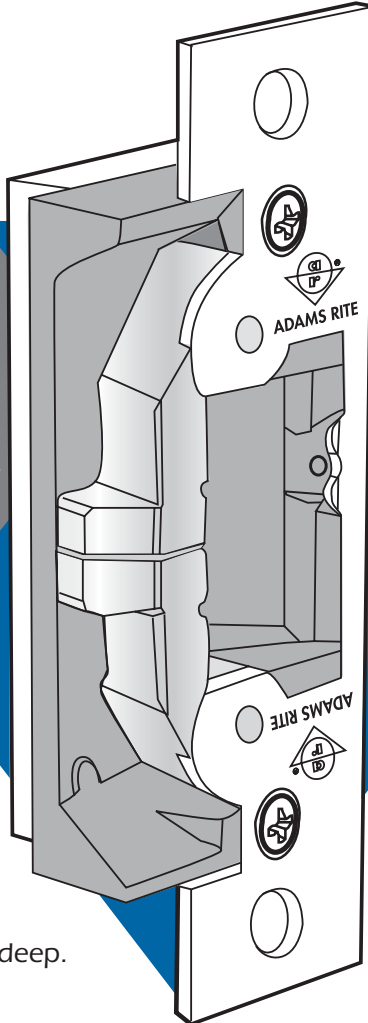
Basic 7400 strike has lip of proper length 1-3/4" thick door that closes flush with jamb edge. Where door thickness or jamb shape differs from this standard relationship, lip extension kits available.

## Fail-Safe/Fail-Secure

Field selectable at time of installation.

## Strike Opening

5/8" Adjustable x 1-7/16" x 1/2" deep. Bolt retainer jaw is stainless steel.

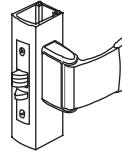


# ULTRA LINE

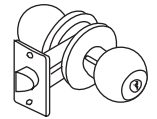
## 7440

ANSI/BHMA Type EO9321 (Grade 1)

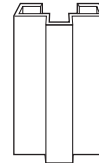
### LATCH TYPE



Adams Rite or Cylindrical Latches with 1/2" to 5/8" Projection



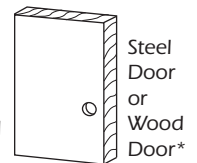
### DOOR FRAME/DOOR TYPE



Hollow Metal



Wood



Steel Door or Wood Door\*

\*Requires WDC7400

## Faceplate

Measures 1-1/4" x 4-7/8". Faceplate is flat, with square corners. Available in a wide range of architectural finishes.

## Function

Remote electrical control of any door equipped with "key-in-lever/cylindrical" type latchsets listed above. Electrical actuation unlocks strike jaw, releasing latchbolt, so door can be opened without operating latch itself. Extremely compact mechanism fits into jamb sections as shallow as 1-1/16". Fits existing preps for 7840AN and 7850/7040/7140.

This non-handed strike features an ultra-compact design and an adjustable stainless steel split-jaw with over 2400lbs. of holding force in fail-secure mode. The strike releases electrically with up to 35lbs. of door "preload" (pressure exerted on doors by air conditioning systems, warping or misaligned hardware which can disable common electric strikes). Single solenoid operates on 12, 16, or 24 volt AC/DC power. Strikes are equipped with a quick connect plug-in type connector.

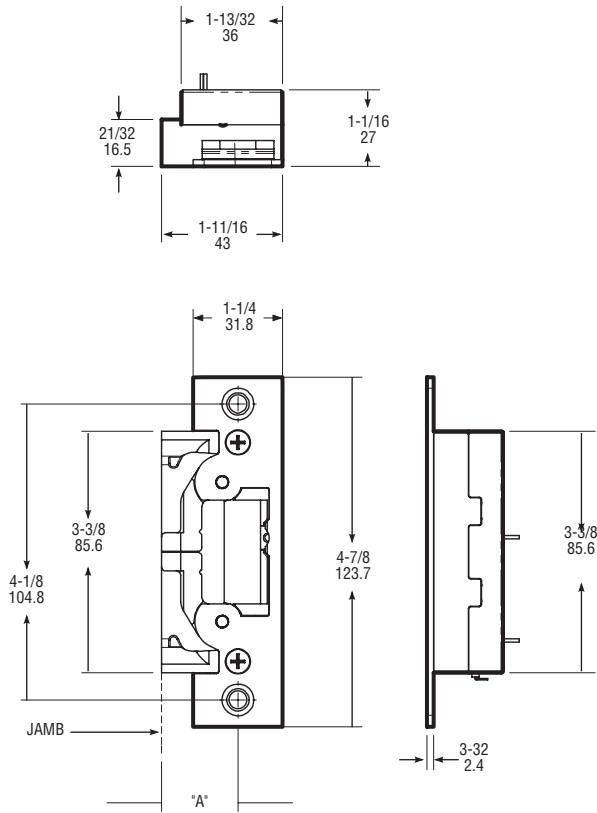


# 7440 Electric Strike

## DIMENSIONS

**INCHES**  
**MILLIMETERS**

Nominal, subject of tolerance extremes

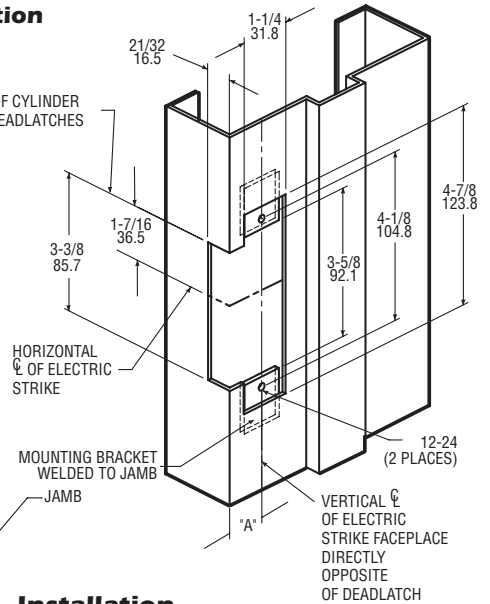


STANDARD UNIT FITS DIM "A" 1-1/16"  
MOUNTING BACKSETS FURNISHED

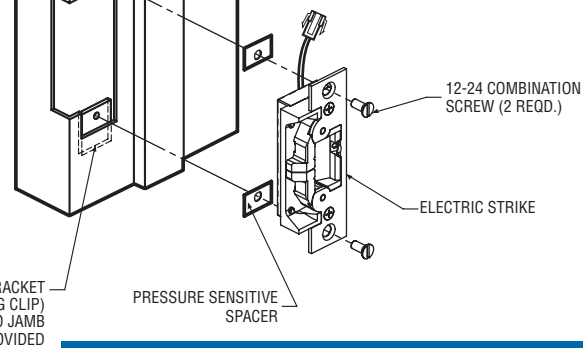
## INSTALLATION

### Jamb Preparation

HORIZONTAL  $\phi$  OF CYLINDER  
A-R 4500/4700 DEADLATCHES



### Installation



## HOW TO ORDER

Specify quantity and the following information.  
Order related hardware separately.

Fail-secure can be field converted to fail-safe or vice versa.

### Options

- None
- M** Monitored

# 7440 M 628

### Finish

- 628** Clear Anodized
- 605** Bright Brass
- 606** Satin Brass
- 611** Bright Bronze
- 612** Satin Bronze
- 313** Dark Bronze Anodized
- 335** Black Anodized
- 629** Bright Stainless
- 630** Satin Stainless

## STANDARD PACKAGE

Individually boxed with mounting screws. Includes mounting clips and adhesive shims for use where welded tambs are omitted. Also included is an adjustable jaw shim pack and two plug-in voltage adapters for 12/16/24 VAC and 12/24 VDC.

## OPTIONS

**Monitoring** - Two internally mounted switches (Form "C") to indicate when the latchbolt is engaged in the strike jaws and a locked/unlocked solenoid status. See page ES-7 for more details.

**Power Sources** - 4605/4606 Transformer, 4603 Rectifier, and PS-1 Power Supply. See page ES-7 for more details.

**Lip Extension Kits** - See page ES-7 for a complete list.

**Modular Packaging** - Consult factory or sales representative for details.

**Wood Door Cover** - WDC7400 for use when mounting the 7400 series on the inactive leaf of pairs. The cover simplifies the mortise prep.

**ELX-ElectroLynx™ Adapter** - Connects Adams Rite electrified products to ElectroLynx system.

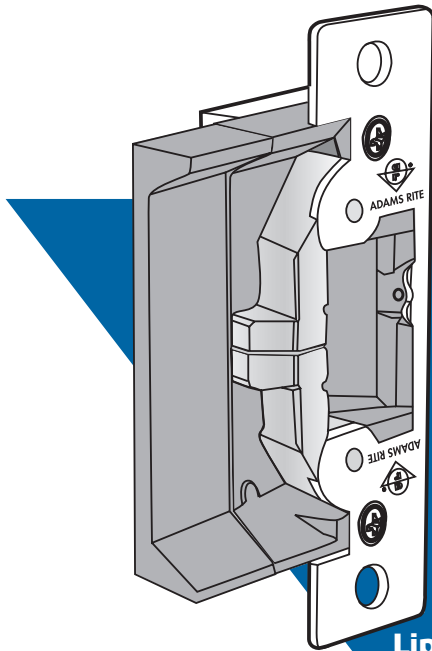
**16 VDC Adapter** - VA7400-16VDC required when using 16VDC power.



## ULTRA LINE

### Options & Accessories

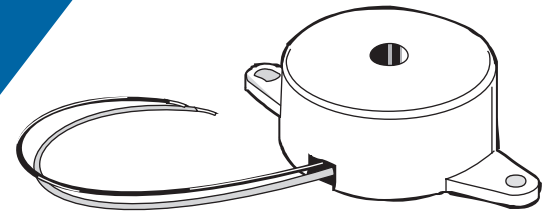
For Adams Rite 7400 UltraLine Electric Strikes



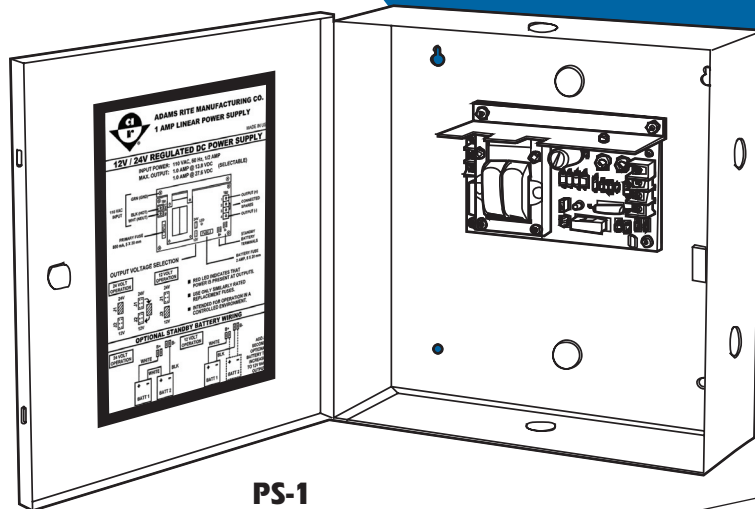
Lip Extension Kits



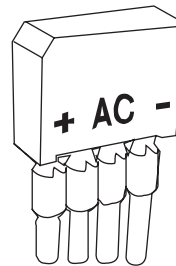
Monitor Switches



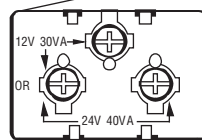
29-0218  
Piezo Horn



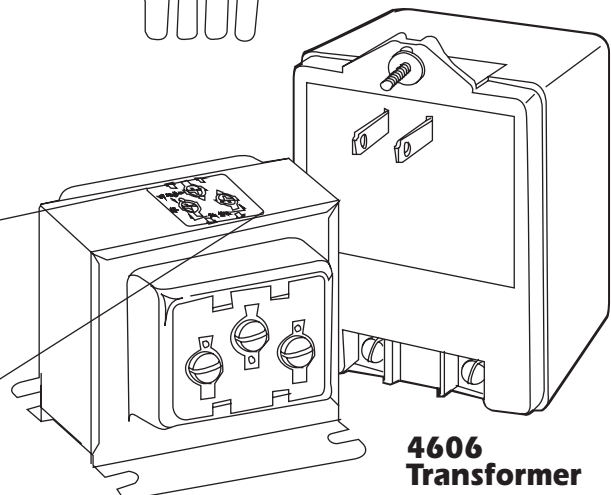
PS-1  
Power Supply



4603  
Rectifier



4605  
Transformer



4606  
Transformer



# Options and Accessories

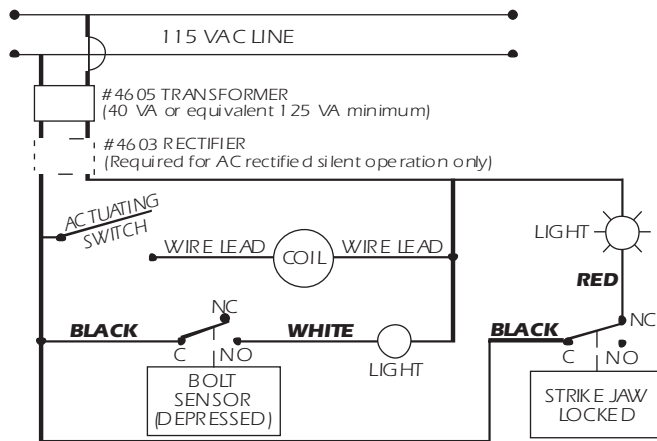
## For Adams Rite 7400 Ultraline Electric Strikes

### MONITOR SWITCHES

If a visual or other signal is required to tell an operator what the electric strike is doing, a "monitoring" strike to switch that signal on and off is required.

This feature utilizes two sensor switches: one is activated by the latchbolt's penetration of the strike and the other by the mechanism that blocks the strike's release.

These switches can also be used to interconnect two strikes in "man-trap" or interlock situations, such as elevator doors. In these cases, power to the solenoid of each strike is controlled by the switch(es) of the other so one won't unlock unless the other is locked. Each switch has both normally open and normally closed leads so they can be wired to either make or break a circuit. Shown here is one of many possible variations.



### RECTIFIER

#### 4603 Rectifier

Converts low voltage AC current to DC of same voltage. Installs in low voltage line between transformer and strike. Full wave bridge type. Rated 2 amps. (200 PIV).

### PIEZO HORN

#### 29-0218

Provides for audible indication of when a DC strike is energized. Operates with 12 VDC, 16 VDC or 24 VDC strikes.

### TRANSFORMER

#### 4605

Converts 120VAC to 12VAC/24VAC. Rated 40 Volt-amp output assures plenty of power for strike release.

#### 4606

Converts 120VAC current to 24VAC. Plugs into standard wall outlet.

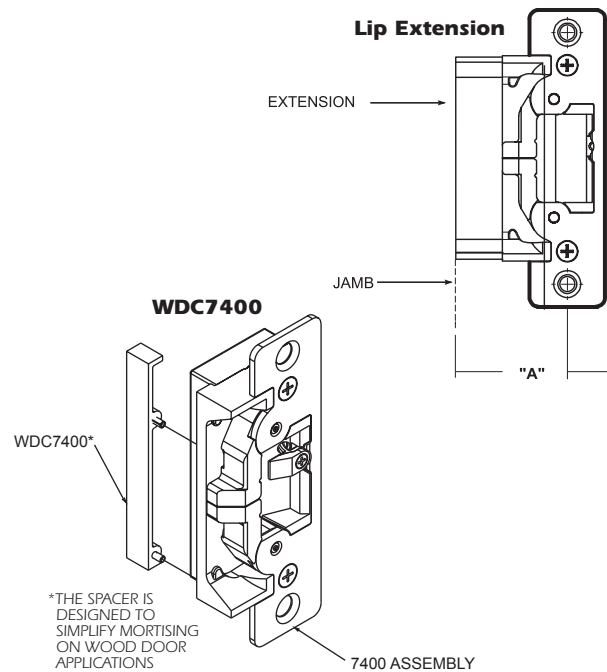
### LIP EXTENSION KITS

Lip extensions are for center hung doors, thick doors or other conditions that vary from the "standard" 1-3/4" thick door that closes flush (or near flush) with the jamb face. Lip extension kits are available in 1/8" increments.

#### 7400 Lip Extension (Dim, "A")

(Door Centerline to Jamb Edge)

1-1/16" or less (No ext. req.)	<b>LEK7400-07</b> 2-1/4"
<b>LEK7400-50</b> 1-3/8"	<b>LEK7400-08</b> 2-3/8"
<b>LEK7400-01</b> 1-1/2"	<b>LEK7400-09</b> 2-1/2"
<b>LEK7400-02</b> 1-1/16"	<b>LEK7400-10</b> 2-5/8"
<b>LEK7400-03</b> 1-3/4"	<b>LEK7400-11</b> 2-3/4"
<b>LEK7400-04</b> 1-7/8"	<b>LEK7400-12</b> 2-7/8"
<b>LEK7400-05</b> 2"	<b>LEK7400-13</b> 3"
<b>LEK7400-06</b> 2-1/8"	



### WOOD DOOR APPLICATION

#### WDC7400

This cover plate is designed to simplify mortising of wood door pairs.

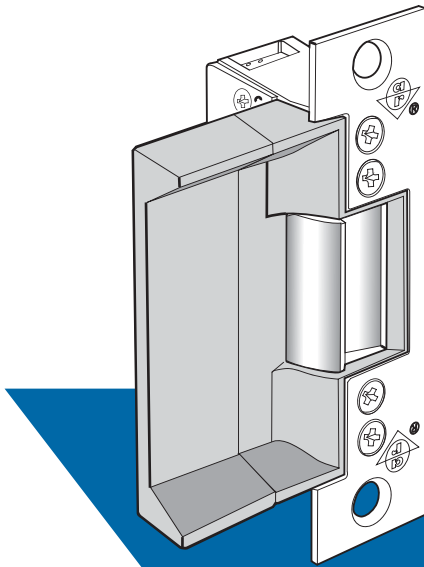
### POWER SUPPLY

#### PS-1

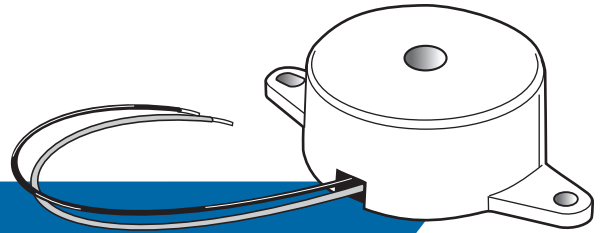
Provides filtered and regulated voltage output to power electric strikes, magnetic locks or other access control devices. Output is selectable in the field for 12 or 24 VDC. Charging circuit is built in for battery backup power with 12 or 24 VDC operation. LED on circuit board indicates power input.

## Options & Accessories

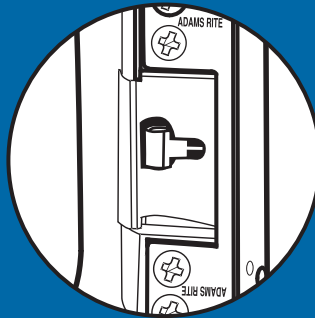
For Adams Rite Electric Strikes



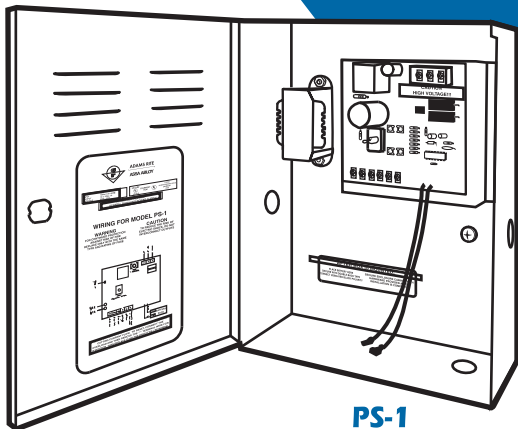
Lip Extension



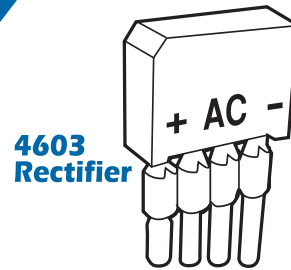
29-0218  
Piezo Horn



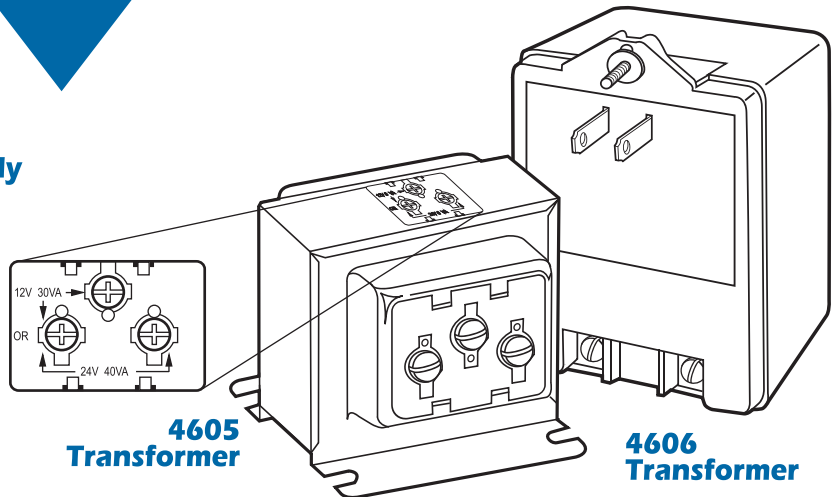
Monitor  
Switches



PS-1  
Power Supply



4603  
Rectifier



4605  
Transformer

4606  
Transformer



# Options & Accessories

## For Adams Rite Electric Strikes

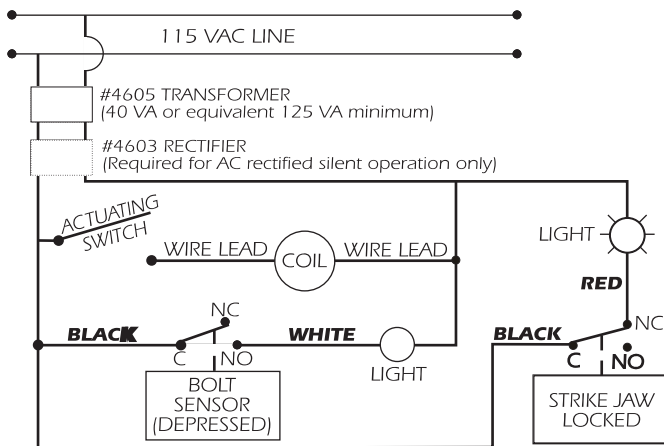
### MONITOR SWITCHES

Not available for 7300 Series Compact Electric Strikes

If a visual or other signal is required to tell an operator what the electric strike is doing, a "monitoring" strike to switch that signal on and off is required.

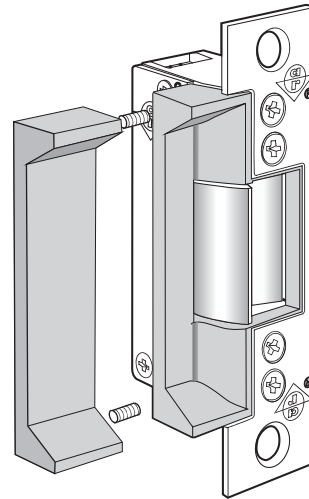
This feature utilizes two sensor switches: one is activated by the latchbolt's penetration of the strike and the other by the mechanism that blocks the strike's release.

These switches can also be used to interconnect two strikes in "mantrap" or interlock situations, such as elevator doors. In these cases, power to the solenoid of each strike is controlled by the switch(es) of the other so one won't unlock unless the other is locked. Each switch has both normally open and normally closed leads so they can be wired to either make or break a circuit. Shown here is one of many possible variations.



### LIP EXTENSIONS

Lip extensions are for centerhung doors, thick doors or other conditions that vary from the "standard" 1-3/4" thick door that closes flush (or near flush) with the jamb face. Specified with electric strike by the last dash number which varies the door centerline to jamb edge dimension in 1/8" increments. For existing 7100 Series strikes, a thin metal membrane in the standard lip can be drilled or punched out and the lip extension can be added in the field. (Dash number for lip extension is the same as door centerline to jamb edge dash number on complete strike).



Lip Extensions for 7200 Series Fire-Rated Strikes must be factory applied.

**91-0171-01 through -13:**  
For 7100, 7110, 7111, 7130 and 7140 strikes.

**91-0172-01 through -13:**  
For 7160 and 7170 strikes.

**91-0173-01 through -13:**  
For 7108 and 7128 strikes.

**91-0174-01 through -07:**  
For all 7300 strikes.

### POWER SUPPLY

#### PS-1

Provides filtered and regulated voltage output to power electric strikes, magnetic locks or other access control devices. Output is selectable in the field for 12 or 24 VDC. Charging circuit is built in for battery backup power with 12 or 24 VDC operation. LED on circuit board indicates power input.

### TRANSFORMER

#### 4605

Converts 120VAC to 12VAC/24VAC. Rated 40 Volt-amp output assures plenty of power for strike release.

#### 4606

Converts 120VAC current to 24VAC. Plugs into standard wall outlet.

### PIEZO HORN

#### 29-0218

Provides for audible indication of when a DC strike is energized. Operates with 12 VDC, 16 VDC or 24 VDC strikes.

### RECTIFIER

#### 4603 Rectifier

Converts low voltage AC current to DC of same voltage. Installs in low voltage line between transformer and strike. Full wave bridge type. Rated 2 amps. (200 PIV).