

VON DUPRIN®

6100 Series

Strikes for rim exit devices



Overview

Von Duprin electric strikes are known for their reliability, durability and security. The 6100 Series is designed to withstand abuse. Its heavy-duty stainless steel construction is fully UL1034 and UL10C Listed and ANSI/BHMA Grade 1, 1500 lb hold force rated.

6100 Series electric strikes are designed for use with a variety of rim exit devices. They interface with the latch mechanism of the exit device. The movable lip (keeper) allows a door to open even when the latch bolt is extended. This feature, called remote release, provides added benefits such as increased convenience and efficiency. The 6100 Series also provides added security and traffic control.

6100 Series electric strikes can be used for retrofit applications or new construction. To assure the proper selection of an electric strike on new applications, lockset compatibility charts are shown on the next page. When using a lockset not listed or when retrofitting a strike to an existing application, please contact Von Duprin technical support for application assistance.

The power failure mode of the 6100 can be specified at the time of order. Fail-secure is available for fire rated openings. In a fail-secure application, the door is normally locked. To unlock the door, power must be applied. Fail-safe strikes which are commonly used for life safety applications are non-fire-rated. To unlock a fail-safe strike, power is removed. The 6100 comes standard 24 VDC; 12 VDC and AC operation are optional.

Features and benefits

- Non-handed design provides greater flexibility
- Strike box is adjustable to compensate for misalignment of the door or frame
- Two piece plug connectors are furnished for ease of installation and for removal during strike servicing
- ANSI 156.5 Grade 1, 1500 lb hold force rated
- UL1034 burglary-resistant and UL10C electric strike for fire door
- Six finishes available to suite with existing hardware
- Durable stainless steel construction
- 24 VDC standard with 12 VDC and AC operation optional
- Meets BHMA A156.31, Grade 1 for endurance and strength
- Static strength 1300 lbs
- Dynamic strength 70 ft-lbs
- Endurance 1,000,000 cycles



Model specifications

Model number	6111	6112	6113	6114	6121	
Retrofits model	VD 3031	FA 310-4	VD 3011 VD 3021	FA 310-5	FA 310-4-100	
Latchbolt throw	3/4"	3/4"	3/4"	3/4"	3/4"	
Face plate length	6"	9"	6"	7"	9 1/8"	
Backbox depth	1 3/4"	1 3/4"	1 15/16"	---	N/A	
Lockset	Rim exit device	Rim exit device	Rim exit device	Rim nightlatch	Rim exit device	
Number of doors	Single	■	■	■	---	
	Double door with mullion	■	---	---	---	
	Double door without mullion	---	---	---	■	
Door/frame type	Hollow metal	■	■	■	■	
	Aluminum	■	■	■	■	
	Wood	■	■	■	---	■
Options	Blade stop shim	Yes	No	Yes	No	No
	DS or DS-LC (dual monitor switches)	Yes	Yes	Yes	Yes	Yes
	EB (entry buzzer - fail-secure only)	Yes	Yes	Yes	Yes	Yes
Certifications	UL1034, UL10C, ANSI/BHMA 156.5 Grade 1, 1500 lb hold-force rated					
Application notes	1	2	3	4	5	

Note: 16 VDC and 28 VDC solenoid are sold as replacement parts for existing strikes. Please contact customer care for details.

Application notes:

- For use with rim exit devices on single doors or double doors with mullion applications. 1/2" projection blade stop shim 010055-XX available for use on cased opening or blade stop frames. Specify when using 55 rim devices. May also be used with vertical rod exit devices noted on previous page x Pullman latch LBR. Non-fired-rated.
- For use with rim exit devices on single door applications. Designed to replace Folger Adam 310-4, minor frame prep modification required.
- 1/2" projection blade stop shim 010055-XX available for use on cased opening or blade stop frames. **Non-fire rated.**
- Surface applied strike for use with rim nightlatches on single door applications. Designed to replace Folger Adam 310-5, with different mounting hole locations from Folger Adam.
- Non-fire rated.** For use with rim exit devices on double door applications without mullion. Strike mounts on inactive leaf. Replace Folger Adam 310-4-100.

Rim exit device compatibility 6111, 6112, 6113 & 6121 strikes

Manufacturer	Device
Von Duprin	22, 33A, 35A, 55 ¹ , 88, 98, 99 8827 LBR ⁴ x Pullman latch Non-Fire rated 9827 LBR ⁴ x Pullman latch Non-Fire rated 9927 LBR ⁴ x Pullman latch Non-Fire rated
Falcon Monarch ²	XX-R, 18-R, 19-R, 24-R, 25-R
Falcon Doromatic	1790
Precision ²	2100
Sargent	2800, 6500, 6800, 8500, 8800, 9500, 9800 ³ , 9898
Yale	1500, 700

- Strike must be factory modified, specify when using with a 55 Rim device
- Deadlocking feature will not properly function, consult factory
- Panic only, Not fire-rated
- 6111 is recommended for LBR applications

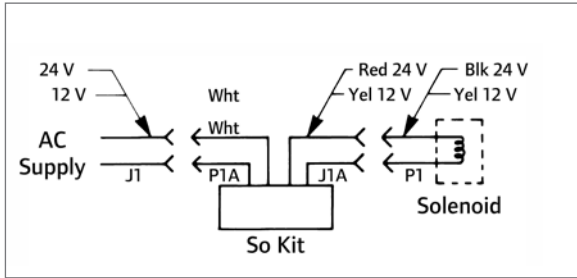
Note: When using a lockset not listed or when retrofitting an existing application, please contact Von Duprin technical support for application assistance

6100 Series specifications

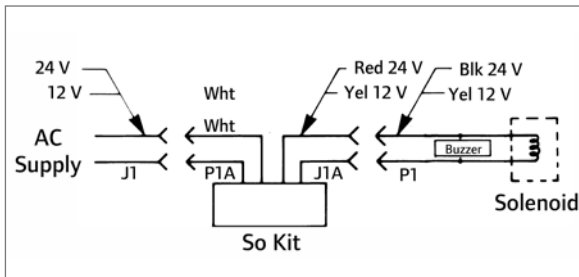
	12VDC	24VDC
Resistance in ohms +/- 10% @ 70F	21	82
Watt-seated @ 70F	7.5	8
Amps-seated @ 70F	0.6	0.33
Amps-inrush @ 70F	0.6	0.33

Wiring

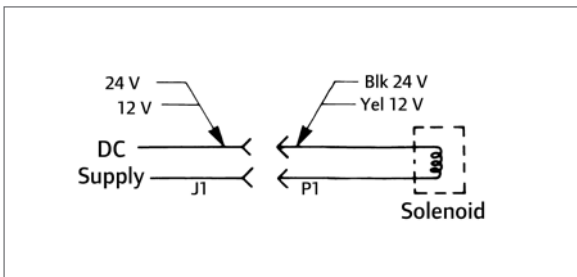
AC



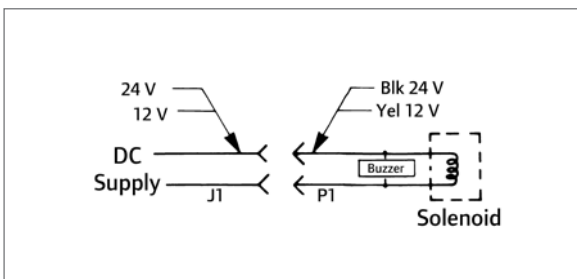
AC with buzzer



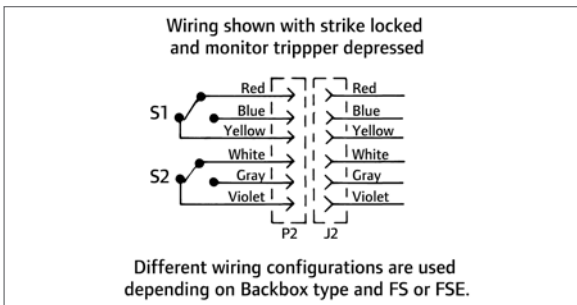
DC



DC with Buzzer

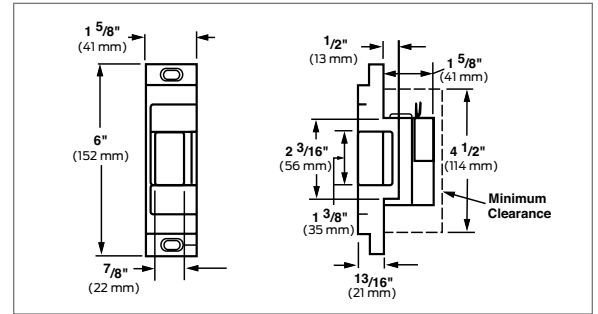


Optional DS (FSE Shown)

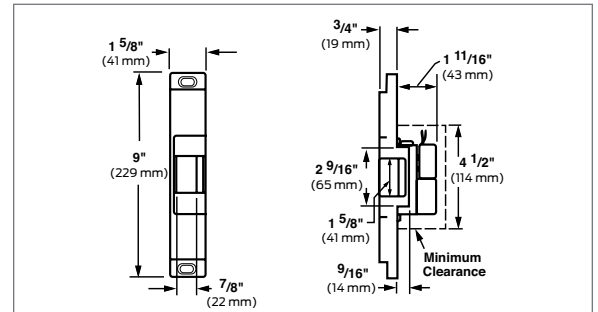


Dimensions

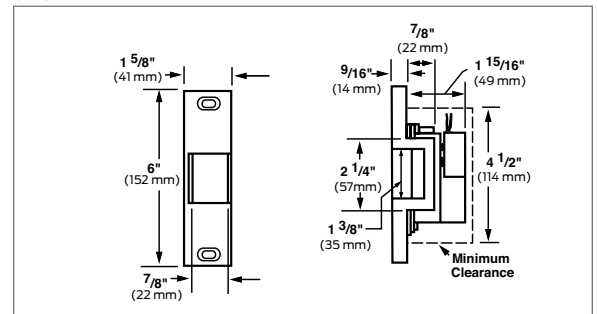
6111



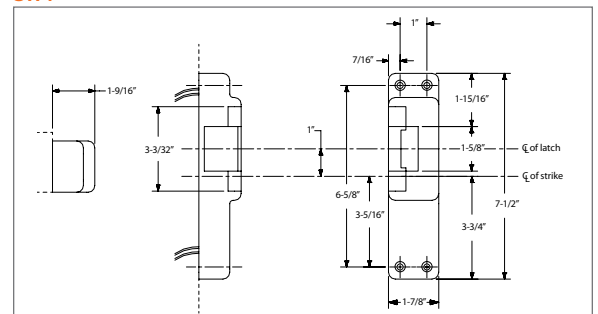
6112



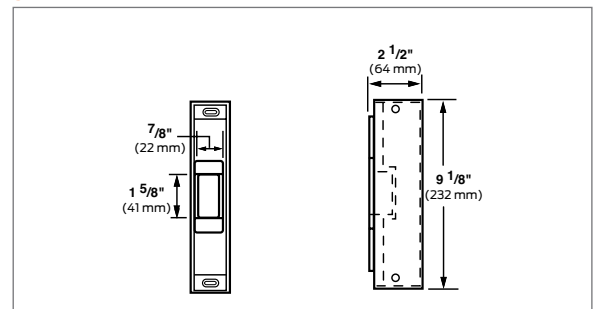
6113



6114



6121



Ordering information

6112-FSE-DS-24-S024-US3-EB

Model	Power failure mode	Dual switch*	Voltage	Rectifier kit*	Finish	Buzzer*
1	2	3	4	5	6	7

* Optional

Selections correspond with the numbers above

1	Model	3	Dual switch (optional)	6	Finish
6111	See chart on page 3 to make the proper selection	DS	Monitors latch bolt and lock status. DS switches rated at 24 VDC 50 milliampere - 2 amps.	US3/85	Plated polished brass on stainless steel
6112	See chart on page 3 to make the proper selection	DS-LC	Optional for computer monitoring. Monitors latch bolt & lock status. DS switches rated 24 VDC 50 milliampere or less.	US4/84	Plated dull brass on stainless steel
6113	See chart on page 3 to make the proper selection			US10/06	Plated dull bronze on stainless steel
6114	See chart on page 3 to make the proper selection			US10B/86	Plated dark bronze on stainless steel
6121	See chart on page 3 to make the proper selection	4	Voltage (VDC)	US32/31	Stainless steel, polished
		24	Low voltage DC power	US32D/32	Stainless steel, satin
		12	Low voltage DC power	7	Buzzer (optional)
			If AC power is required specify rectifier kit below.	EB	Entry Buzzer.
2	Power failure mode	5	Rectifier kit (optional)		Only available if Fail-Secure (FSE) is specified.
FSE	Fail-secure. Requires power to be applied to unlock the strike lip. On loss of power, the strike lip is locked. Fire-rated.	SO12	Converts 12 VAC voltage to 12 VDC to operate the solenoid		
FS	Fail-safe. Requires power to be applied to lock the strike lip. On loss of power, the strike lip is unlocked. Non-fire-rated.	S024	Converts 24 VAC voltage to 24 VDC to operate the solenoid		

Allegion, the Allegion logo, Von Duprin, the Von Duprin logo, and Falcon are trademarks of Allegion plc, its subsidiaries and/or affiliates in the United States and other countries. All other trademarks are the property of their respective owners.

About Allegion

Allegion (NYSE: ALLE) creates peace of mind by pioneering safety and security. As a \$2 billion provider of security solutions for homes and businesses, Allegion employs more than 7,800 people and sells products in more than 120 countries across the world. Allegion comprises 23 global brands, including strategic brands CISA®, Interflex®, LCN®, Schlage® and Von Duprin®. For more, visit www.allegion.com.

aptiQ ■ LCN ■ SCHLAGE ■ STEELCRAFT ■ VON DUPRIN



© 2014 Allegion
005282, Rev. 03/14
www.allegion.com/us