

VON DUPRIN®

## 6400 Series

Modular strike



### Overview

The 6400 fire-rated strike from Schlage combines strength and convenience in an “all in one” compact, easy-to-install design. The 6400 is UL Listed for 1500 lb static strength.

The unique design of the 6400 allows the installer to move the deadbolt keeper or plug and deadlatch ramp vertically, to align with a wide variety of mortise locks with offset latches. This, combined with a 1/8" horizontal adjustment, provides a highly flexible and easy-to-install design while also eliminating the need for special face plates.

A trim plate for frame cuts and a hands-free adhesive paper template are provided to simplify installation. Additional flexibility is provided by a “plug in” latch monitor switch that can be added in the field at any time after installation.

The power failure mode of the 6400 is fail-secure only for fire-rated openings. In a fail-secure application, the door is normally locked without power. To unlock the door power must be applied. The voltage of the 6400 is also field selectable 12 or 24 VDC and 12 to 24 VAC.

### Features and benefits

- Vertical adjustment of the deadbolt keeper or deadlatch ramp allows for alignment with a wide variety of mortise locks with offset latches
- Field selectable voltage 12 or 24VDC and 12 to 24VAC
- Accommodates 3/4" latch projection
- Centerline face plate included for centerline entry
- Accommodates up to 1" deadbolt (for night latch application only, bolt will not release)
- Horizontal adjustment of up to 1/8" for misaligned frames
- Heavy-duty stainless steel construction
- Plug connectors are furnished for ease of installation and removal during strike servicing
- Optional plug-in latch monitor can be added in the field
- Non-handed design provides greater flexibility
- Tamper-resistant screws included
- Hex and security driver bit included
- Low current draw (0.19 amps @ 24 VDC)
- Unique solenoid design prevents keeper from heating up
- Trim plate included
- Adhesive paper template included
- UL Listed for 1500 lb static strength, UL 1034 burglary-resistant listed & UL 10 C 3 hour fire-rated (fail-secure only)
- Meets BHMA A156.31, Grade 1 for endurance and strength
- Static strength 1300 lbs
- Dynamic strength 70 ft-lbs
- Endurance 1,000,000 cycles

## Lockset compatibility

Vertical adjustment of the deadbolt keeper or deadlatch ramp allows for alignment with a wide variety of mortise locks with offset latches. Accommodates up to 1" deadbolt\* Up to 1/8" horizontal adjustment for misaligned frames.

\* Night-latch function only, bolt will not release

## Wiring Instructions

Use the appropriate wire harness supplied.

- 12V for 12VDC & 12-24VAC
- 24 for 24VDC only

Attach the red wire to (+) positive of the power supply. Attach the black wire to the (-) negative of the power supply. If using AC power, polarity is not observed.

Note: If a suppression diode is required for access control, observe proper polarity.

### Latch monitor wires

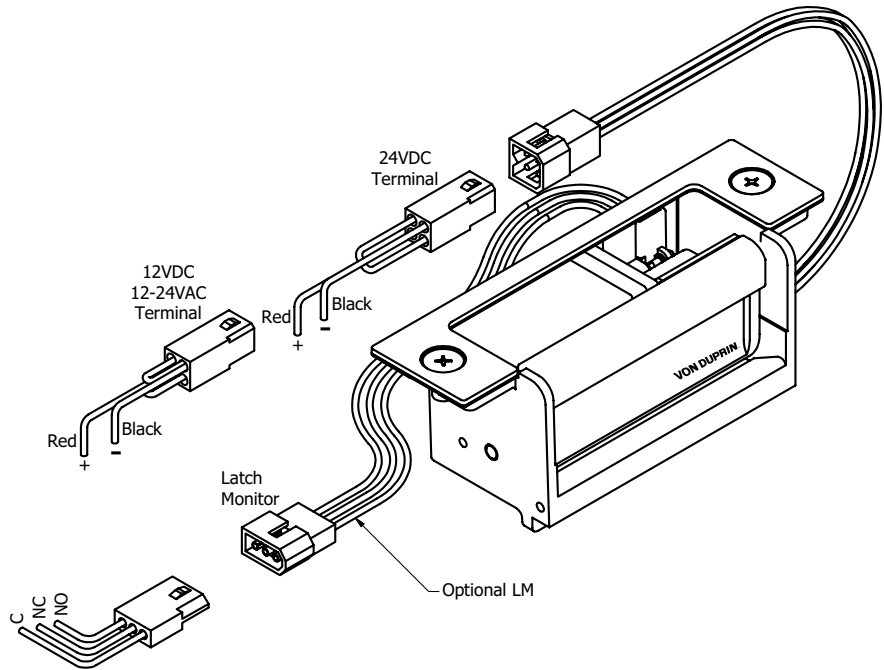
- Black = Common (C)
- Blue = Normal Close (NC)
- Orange = Normal Open (NO)

## Technical specifications

Model	Mode	Voltage	Duty	Sound	Amps <sup>1</sup>	Ohms <sup>2</sup>
6400	Fail-locked	12 VDC	Continuous	Silent	.375	37
6400	Fail-locked	24 VDC	Continuous	Silent	.190	148
6400	Fail-locked	12-24 VAC	Intermittent	Buzz	.280 - .565	37

Intermittent duty = Energized less than 1 min. with duty ratio 1:5

Continuous duty = Energized 1 min. or more



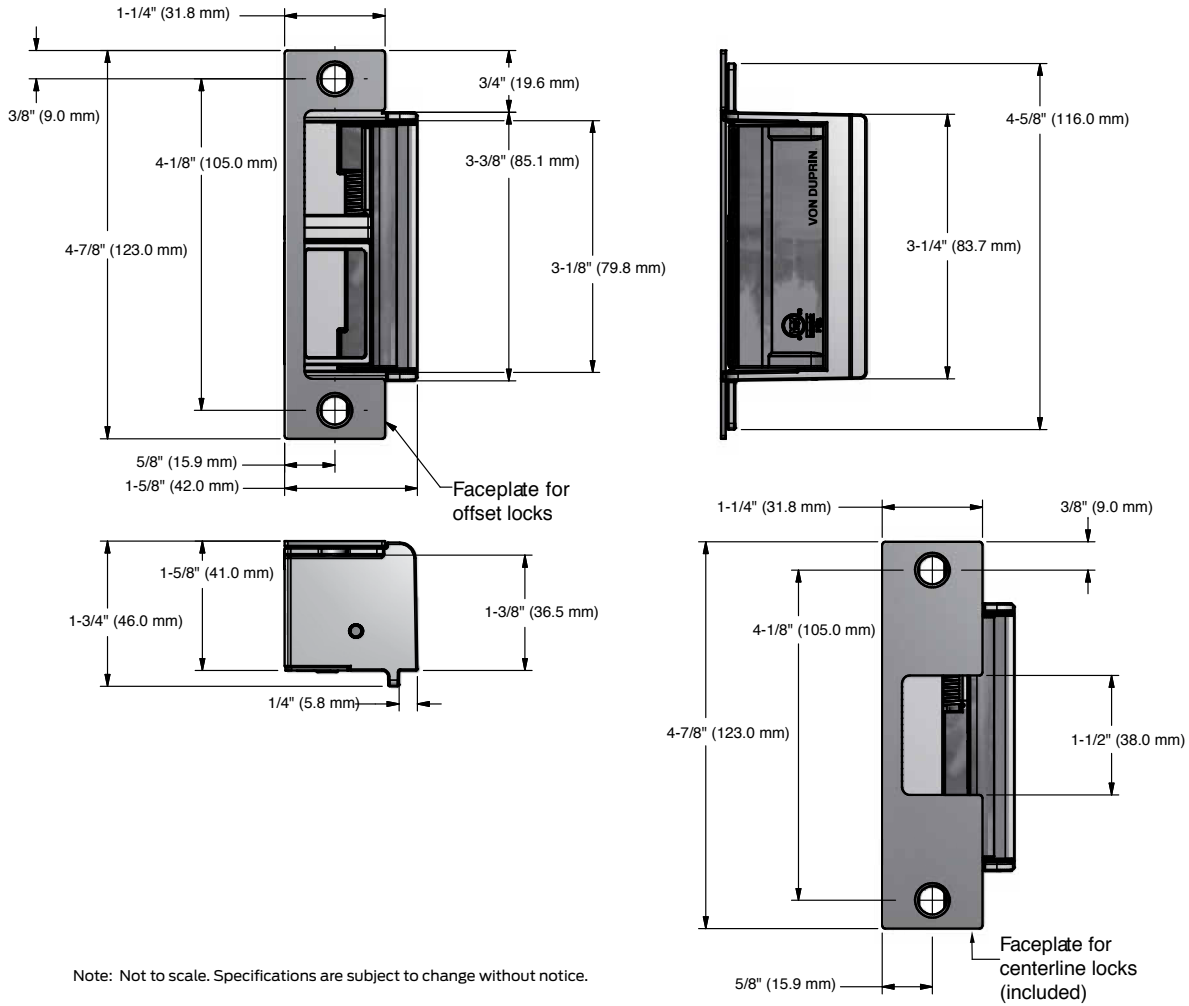
## Model specifications

Model #	6400
Latchbolt throw	3/4"
Face plate length	4 7/8"
Depth	1 5/8"
Lockset	Cylindrical, mortise, mortise exit
Door/frame type	Hollow metal, aluminum & wood
Certifications	UL Listed for 1500 lb static strength, UL 1034 burglary-resistant listed & UL 10 C three hour fire-rated (fail-secure only)
Application notes	Modular electric strike ideal for aftermarket applications. Fail-secure only for fire-rated openings.

<sup>1</sup> Ratings are based on maximum current draw at +10°C and include initial power-up current draw.

<sup>2</sup> Nominal resistance at +25°C +/- 7% tolerance.

# Dimensions



# Ordering information

- **6400** - Modular strike

## Options

- **LM6400** – Indicates when door is latched (ships separately)

## Standard features

- Power failure mode: fail-secure only for fire-rated openings
- Voltage: 12 or 24 VDC and 12 or 24 VAC voltage is field selectable
- Finish: Stainless steel, satin (US32D)

This page intentionally left blank.

Allegion, the Allegion logo, Schlage, the Schlage logo are trademarks of Allegion plc, its subsidiaries and/or affiliates in the United States and other countries. All other trademarks are the property of their respective owners.

## About Allegion

Allegion (NYSE: ALLE) creates peace of mind by pioneering safety and security. As a \$2 billion provider of security solutions for homes and businesses, Allegion employs more than 7,800 people and sells products in more than 120 countries across the world. Allegion comprises 23 global brands, including strategic brands CISA®, Interflex®, LCN®, Schlage® and Von Duprin®. For more, visit [www.allegion.com](http://www.allegion.com).

*aptiQ* ■ LCN ■  ■ STEELCRAFT ■ VON DUPRIN



© 2014 Allegion  
009011, Rev. 02/14  
[www.allegion.com/us](http://www.allegion.com/us)