



DEPARTMENT OF REGULATORY AND ECONOMIC RESOURCES (RER)  
BOARD AND CODE ADMINISTRATION DIVISION

**NOTICE OF ACCEPTANCE (NOA)**

MIAMI-DADE COUNTY  
PRODUCT CONTROL SECTION  
11805 SW 26 Street, Room 208  
T (786) 315-2590 F (786) 315-2599  
[www.miamidade.gov/economy](http://www.miamidade.gov/economy)

**NABCO Entrance Inc.**  
**S82 W18717 Gemini Drive,**  
**Muskego, Wisconsin 53150**

**SCOPE:**

This NOA is being issued under the applicable rules and regulations governing the use of construction materials. The documentation submitted has been reviewed and accepted by Miami-Dade County RER -Product Control Section to be used in Miami Dade County and other areas where allowed by the Authority Having Jurisdiction (AHJ).

This NOA shall not be valid after the expiration date stated below. The Miami-Dade County Product Control Section (In Miami Dade County) and/or the AHJ (in areas other than Miami Dade County) reserve the right to have this product or material tested for quality assurance purposes. If this product or material fails to perform in the accepted manner, the manufacturer will incur the expense of such testing and the AHJ may immediately revoke, modify, or suspend the use of such product or material within their jurisdiction. RER reserves the right to revoke this acceptance, if it is determined by Miami-Dade County Product Control Section that this product or material fails to meet the requirements of the applicable building code.

This product is approved as described herein, and has been designed to comply with the Florida Building Code, including the High Velocity Hurricane Zone.

**DESCRIPTION: Series "System GT 1175 models FBO & FS" Aluminum Automatic Sliding Glass Doors : So-Sx-Sx-So, So-Sx w/ Full Emergency Breakout and O-Sx-Sx-O, O-Sx w/Partial Emergency Breakout-LMI**

**APPROVAL DOCUMENT:** Drawing No. **15-048** (Former **12-090**), titled "System GT1175 Large & Small Missile", sheets 1, 2, 2.1 thru 16, 16.1 thru 21 of 21, prepared by ENGCO Inc., dated 02-19-15 and last revised on JUL 22, 2015, signed and sealed by Pedro M. De Figueirido, P.E., bearing the Miami-Dade County Product Control Revision stamp with the Notice of Acceptance number and expiration date by the Miami-Dade County Product Control Section.

**MISSILE IMPACT RATING: Large and Small Missile Impact**

**LIMITATIONS:**

1. See Design Pressure Table 1 (FBO) and Table 2 (FS) in sheet **2.1**. See Table 3 for Sill (interlock/astragal cluster) anchor capacity, Table 4 for Header (interlock/astragal cluster) anchor capacity and jamb anchors per model types in sheet **13**. Lower Design Pressure shall control from the tables for the entire assembly.
2. Locking option 3 (sheet 20) : The 2-point **G-86** CVR panic devices for model FBO in sheets **2** to be used w/ Horizontal muntin bars (detail 10/5) and the DLO height to be adjusted per muntin bar location. All stiles to be reinforced with Aluminum part # 14-13950.
3. Not approved where water infiltration is required, unless protected with overhang, complying with FBC requirements.
4. See glazing details in sheet **15**. Fixed glass more than 36" wide must be supported with approved setting blocks per FBC requirements.
5. Electrical devices, functions and installation is not part of this approval and to be reviewed and approved by Authority Having Jurisdiction (AHJ)
6. Private labelling is not part of this approval.

**LABELING:** Each unit shall bear a permanent label with the manufacturer's name or logo, city, state and series and following statement: "Miami-Dade County Product Control Approved", noted herein.

**RENEWAL** of this NOA shall be considered after a renewal application has been filed and there has been no change in the applicable building code negatively affecting the performance of this product

NOA No. 15-0323.05  
Expiration Date: December 26, 2018  
Approval Date: July 30, 2015  
Page 1

7/24/15



DEPARTMENT OF REGULATORY AND ECONOMIC RESOURCES (RER)  
BOARD AND CODE ADMINISTRATION DIVISION

**NOTICE OF ACCEPTANCE (NOA)**

MIAMI-DADE COUNTY  
PRODUCT CONTROL SECTION  
11805 SW 26 Street, Room 208  
T (786) 315-2590 F (786) 315-2599  
[www.miamidade.gov/economy](http://www.miamidade.gov/economy)

**NABCO Entrance Inc.**  
S82 W18717 Gemini Drive,  
Muskego, Wisconsin 53150

**TERMINATION** of this NOA will occur after the expiration date or if there has been a revision or change in the materials, use, and/or manufacture of the product or process. Misuse of this NOA as an endorsement of any product, for sales, advertising or any other purposes shall automatically terminate this NOA. Failure to comply with any section of this NOA shall be cause for termination and removal of NOA

**ADVERTISEMENT:** The NOA number preceded by the words Miami-Dade County, Florida, and followed by the expiration date may be displayed in advertising literature. If any portion of the NOA is displayed, then it shall be done in its entirety.

**INSPECTION:** A copy of this entire NOA shall be provided to the user by the manufacturer or its distributors and shall be available for inspection at the job site at the request of the Building Official.

This NOA **revises** NOA #13-0521.14 and consists of the pages 1& 2 and evidence pages E-1, as well as approval document mentioned above.

The submitted documentation was reviewed by **Ishaq I. Chanda, P.E.**

8/7/24/15



NOA No. 15-0323.05  
Expiration Date: December 28, 2018  
Approval Date: July 30, 2015  
Page 2

**NOTICE OF ACCEPTANCE: EVIDENCE SUBMITTED**

**A. DRAWINGS**

1. Manufacturer's die drawings and sections.
2. Drawing No. **15-048** (Former **12-090**), titled "System GT1175 Large & Small Missile", sheets 1, 2, 2.1 thru 16, 16.1 thru 21 of 21, prepared by ENGCO Inc., dated 02-19-15 and last revised on JUL 22, 2015, signed and sealed by Pedro M. De Figueirido, P.E.

**B. TESTS** (Submitted under file #13-0521.14)

1. Test reports on: 1) Air Infiltration Test, per FBC, TAS 202-94(0.94 & 0.58 cfm/ft<sup>2</sup> @1.57 PSF)  
2) Uniform Static Air Pressure Test, Loading per FBC TAS 202-94  
3) Water Resistance Test, per FBC, TAS 202-94 (Not conducted)  
4) Large Missile Impact Test per FBC, TAS 201-94  
5) Cyclic Wind Pressure Loading per FBC, TAS 203-94  
6) Forced Entry Test, per FBC 2411 3.2.1, TAS 202-94

Along with installation diagram of aluminum automatic entrance doors O-Sx-Sx-O and So-Sx-Sx-So, prepared by Architectural Testing. Test Report No. **C-2942.01-602-18** (Units #1, 2, 3 & 5), dated 10/17/12, signed and sealed by Shawn G. Collins, P. E.

Note: This test report has been revised on SEP 12, 2013 by an addendum letter issued by Architectural Testing, signed and sealed by Shawn G. Collins, P. E.

**C. CALCULATIONS**

1. Anchor verification calculations and structural analysis, complying with FBC-2014 (5<sup>th</sup> Edition), prepared by ENGCO Inc., dated JUL 22, 2015, signed and sealed by Pedro M. De Figueirido, P.E.
2. Glazing complies w/ ASTM E-1300-02, -04 & -09.

**D. QUALITY ASSURANCE**

1. Miami Dade Department of Regulatory and Economic Resources (RER).

**E. MATERIAL CERTIFICATIONS** (Submitted under file #13-0521.14)

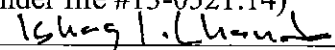
1. Notice of Acceptance No. **11-0624.02** issued to E.I. DuPont DE Nemours & Co., Inc. for their "Sentryglas interlayer ®", expiring on 11/14/17.
2. Technical strength data of Trelleborg EPDM (p/t# 9278-0400) per ASTM C864 and Reed Rubber Product Thermo Plastic Elastomer (p/t #W514). (Submitted under file #13-0521.14).

**F. STATEMENTS**

1. Statement letter of conformance to FBC 2014 and "No financial interest", prepared by prepared by ENGCO Inc., dated 02/19/15, signed and sealed by Pedro M. De Figueirido, P.E.
2. Lab compliance as part of the above referenced test report.
3. Corporate good standing records dated 12/02/13, issued by Wisconsin Department of Financial Institutions. (Submitted under file #13-0521.14)

**G. OTHER**

1. This NOA revises NOA #13-0521.14, expiring DEC 26, 2018.
2. Test proposals # 12-1362 dated 08/22/12 approved by RER.
3. Manufacture supplied Adam Rites deadbolt/hook, bolts mechanism and G-86 panic exit device brochures and technical data of EPDM and Thermo Plastic Elastomer. (Submitted under file #13-0521.14)



Ishaq I. Chanda, P.E.

Product Control Examiner

NOA No. 15-0323.05

Expiration Date: December 26, 2018

Approval Date: July 30, 2015

# SYSTEM GT 1175

MODELS 1175 FBO AND 1175 FS  
 AUTOMATIC ALUMINUM SLIDING GLASS DOOR w/ ALUMINUM REINFORCEMENTS  
 LARGE AND SMALL IMPACT RESISTANT

MANUFACTURER:



NABCO ENTRANCES INC

S82 W18717 GEMINI DRIVE  
 MUSKEGO, WISCONSIN 53150  
 PHONE: (877) 622-2694  
 FAX: (262) 679-2505

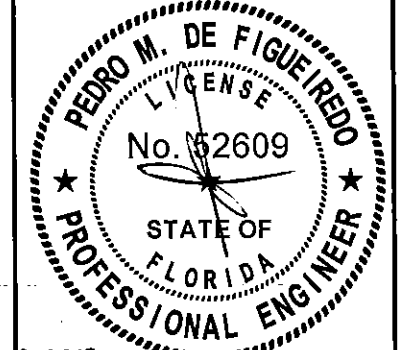
PRODUCT:

SYSTEM GT 1175  
 LARGE & SMALL MISSILE  
 IMPACT RATED  
 AUTOMATIC SLIDING GLASS DOOR

ENGINEERING:

ENGCO INC. CA 0116

5595 ORANGE DR. 201  
 DAVIE, FL. 33314  
 Tel.: (954) 585-0304  
 WWW.ENGCOINC.COM



JUL 22 2015

Engineer Seal  
 Pedro De Figueiredo - PE 52609

MIAMI-DADE BCCO:

**PRODUCT REVISED**  
 as complying with the Florida  
 Building Code  
 Acceptance No. 15-032305  
 Expiration Date DEC 26, 2018  
 By: *Chang L. Chan*  
 Miami Dade Product Control

DATE: 02/19/2015  
 SCALE: NA  
 DESIGN BY: PPMF

SHEET 1 OF 21 DRAWING #: 15-048

**GENERAL NOTES: (FLORIDA BUILDING CODE 2014 - HVHZ)**

- 1- CODE: THIS PRODUCT HAS BEEN TESTED AND DESIGNED IN ACCORDANCE WITH THE FLORIDA BUILDING CODE 2014 INCLUDING THE HIGH VELOCITY HURRICANE ZONE (HVHZ).
- 2- DEFINITION: THIS PRODUCT IS AN AUTOMATIC SLIDING GLASS DOOR DESIGNED, CONSTRUCTED AND TESTED TO PROVIDE PROTECTION FROM HURRICANE FORCE WINDS WITHIN THE ALLOWABLE DESIGNED PRESSURES AND LIMITATIONS STATED IN THIS APPROVAL. PRODUCT IS RATED FOR LARGE AND SMALL MISSILE.
- 3- LABELING: PRODUCT MUST BE LABELED IN ACCORDANCE WITH THE FBC 2014, CHAPTER 17.  
  
 "NABCO ENTRANCES - MUSKEGO - WISCONSIN  
 SYSTEM GT 1175 SERIES AUTOMATIC SLIDING GLASS DOOR  
 MIAMI-DADE PRODUCT CONTROL APPROVED"
- 4- PROJECT DESIGN PRESSURES: THE PROJECT DESIGNED PRESSURES MUST BE CALCULATED BASED ON THE ASCE 7-10, BY A PROFESSIONAL ARCHITECT OR ENGINEER. THE PROJECT DESIGN PRESSURE, AS DETERMINED BY ASCE 7-10, ARE PERMITTED TO BE MULTIPLIED BY 0.6 AND THEY MUST NOT EXCEED THE ALLOWABLE PRODUCT PRESSURE SPECIFIED HERE IN.
- 5- MATERIAL: ALL ALUMINUM PARTS TO BE 6063-T5 ALLOY OR AS NOTED AND GLAZING TO BE LAMINATED IMPACT GLASS AS SPECIFIED ON THIS APPROVAL.
- 6- FASTENERS: ASSEMBLY SCREWS AND ANCHORS SHALL BE AS SPECIFIED IN THE CURRENT SET OF DRAWINGS. INSTALLATION AND LOADS AS PER THIS APPROVAL. ANCHOR SPACING AND LOADS MUST NOT EXCEED THE MAXIMUM LIMITS SPECIFIED BY THIS APPROVAL.
- 7- USE: IT SHALL BE THE RESPONSIBILITY OF THE CONTRACTOR, ARCHITECT OR ENGINEER OF RECORD TO VERIFY THE FOLLOWING:
  - 7.1- THE STABILITY OF THE STRUCTURE WHERE THE PRODUCT IS TO BE ATTACHED INSURING PROPER ANCHORAGE.
  - 7.2- THE SITE SPECIFIC PROJECT CRITERIA, SUCH AS BUT NOT LIMITED TO, LOCAL CODE REQUIREMENTS, DESIGNED PRESSURES ETC.
  - 7.3- THAT THIS APPROVAL IS ADEQUATE FOR A SPECIFIC PROJECT.
- 8- WOOD BUCKS (1X AND 2X) BY OTHERS, MUST BE PROPERLY ANCHORED TO TRANSFER LOADS TO THE STRUCTURE.
- 9- DISSIMILAR MATERIALS: WHERE ALUMINUM IS IN CONTACT OR FASTENED TO DISSIMILAR MATERIALS, INCLUDING BUT NOT LIMITED TO STEEL, INSTALLATION SHALL MEET THE REQUIREMENTS OF CHAPTER M.7 OF THE ALUMINUM DESIGN MANUAL 2010.

**TABLE OF CONTENTS:**

SHEET	CONTENTS
1 OF 21	GENERAL NOTES, TABLE OF CONTENTS
2 OF 21	ELEVATIONS FOR GT 1175 FBO
2.1 OF 21	DESIGN RATING FOR GT 1175 FBO AND GT 1175 FS
3 OF 21	ELEVATIONS FOR GT 1175 FS
4 OF 21	GT 1175 FBO HEADER SECTION DETAILS
5 OF 21	GT 1175 FBO SILL SECTION DETAILS
6 OF 21	GT 1175 FBO INTERLOCK & JAMB SECTION DETAILS
7 OF 21	GT 1175 FS HEADER SECTION DETAILS
8 OF 21	GT 1175 FS SILL SECTION DETAILS
9 OF 21	GT 1175 FS INTERLOCK & JAMB SECTION DETAILS
10 OF 21	JAMB ANCHORAGE DETAILS
11 OF 21	HEADER ANCHORAGE DETAILS
12 OF 21	HEADER & SILL ANCHORAGE DETAILS
13 OF 21	ANCHORAGE TABLES 3 & 4
14 OF 21	DOOR COMPONENTS
15 OF 21	DOOR COMPONENTS, GLAZING DETAILS, LIST OF MATERIALS
16 OF 21	DOOR HARDWARE DETAILS
16.1 OF 21	DOOR HARDWARE DETAILS
17 OF 21	JAMB ASSEMBLY TO HEADER HOUSING
18 OF 21	LOCK HARDWARE OPTION 1
19 OF 21	LOCK HARDWARE OPTION 2
20 OF 21	LOCK HARDWARE OPTION 3
21 OF 21	BILL OF MATERIALS

**DOOR ALLOWABLE DESIGNED PRESSURES**

MODEL GT 1175 FBO - SHEET 2.1 OF 21 TABLE 1  
 MODEL GT 1175 FS - SHEET 2.1 OF 21 TABLE 2  
 FRAME ANCHORAGE - SHEET 13 OF 21 TABLES 3 & 4

REFER TO EACH MODEL TYPE FOR  
 ALLOWABLE DESIGNED PRESSURES AND SIZES

**LEGEND:**

FBO: FULL BREAKAWAY OPEN  
 FS: FIXED SIDELITE  
 FH: DOOR FINISHED HEIGHT  
 FW: DOOR FINISHED WIDTH  
 DM: DOOR MODULE  
 DOW: DOOR OPENING WIDTH  
 DOH: DOOR OPENING HEIGHT  
 DLO: DAYLIGHT OPENING  
 CVR: CONCEALED VERTICAL ROD  
 E.D.: EDGE DISTANCE

**INSTRUCTIONS TO USE THIS DRAWING TO VERIFY DOOR ADEQUACY PRESSURE**

- STEP 1 - SHEET 1 GENERAL NOTE 4: DETERMINE PROJECT DESIGNED PRESSURE (DP) AS INDICATED.
- STEP 2 - SHEET 2.1: SELECT ALLOWABLE PRESSURE USING TABLES 1 OR 2 BASED ON DOOR DIMENSIONS AND MODEL TYPE.
- STEP 3 - SHEET 13: SELECT FRAME ANCHORING ALLOWABLE DESIGN PRESSURE CAPACITY FROM TABLES 3 (SILL) AND 4 (HEADER). SELECT JAMB ANCHORS PER MODEL TYPE
- STEP 4 - THE LOWEST ALLOWABLE DESIGNED PRESSURE FROM STEP 2 AND 3 SHALL APPLY TO THE ENTIRE SYSTEM AND MUST BE GREATER OR EQUAL THAN THE PROJECT DESIGN PRESSURE (DP) FROM STEP 1

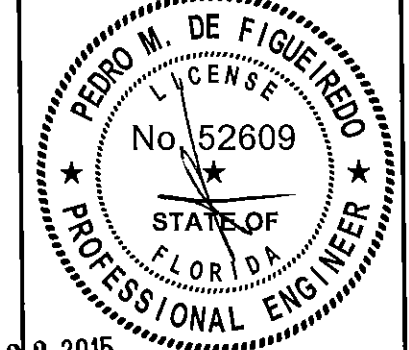
# SYSTEM GT 1175 SERIES - MODEL 1175 FBO



**NABCO ENTRANCES INC**  
 822 W18717 GEMINI DRIVE  
 MUSKEGO, WISCONSIN 53150  
 PHONE: (877) 622-2694  
 FAX: (262) 679-2505

**PRODUCT:**  
 SYSTEM GT1175  
 LARGE & SMALL MISSILE  
 IMPACT RATED  
 AUTOMATIC SLIDING GLASS DOOR

**ENGINEERING:**  
**ENGCO INC.** CA 8116  
 5595 ORANGE DR. 201  
 DAVIE, FL. 33314  
 Tel.: (954) 585-0304  
 WWW.ENGCOINC.COM



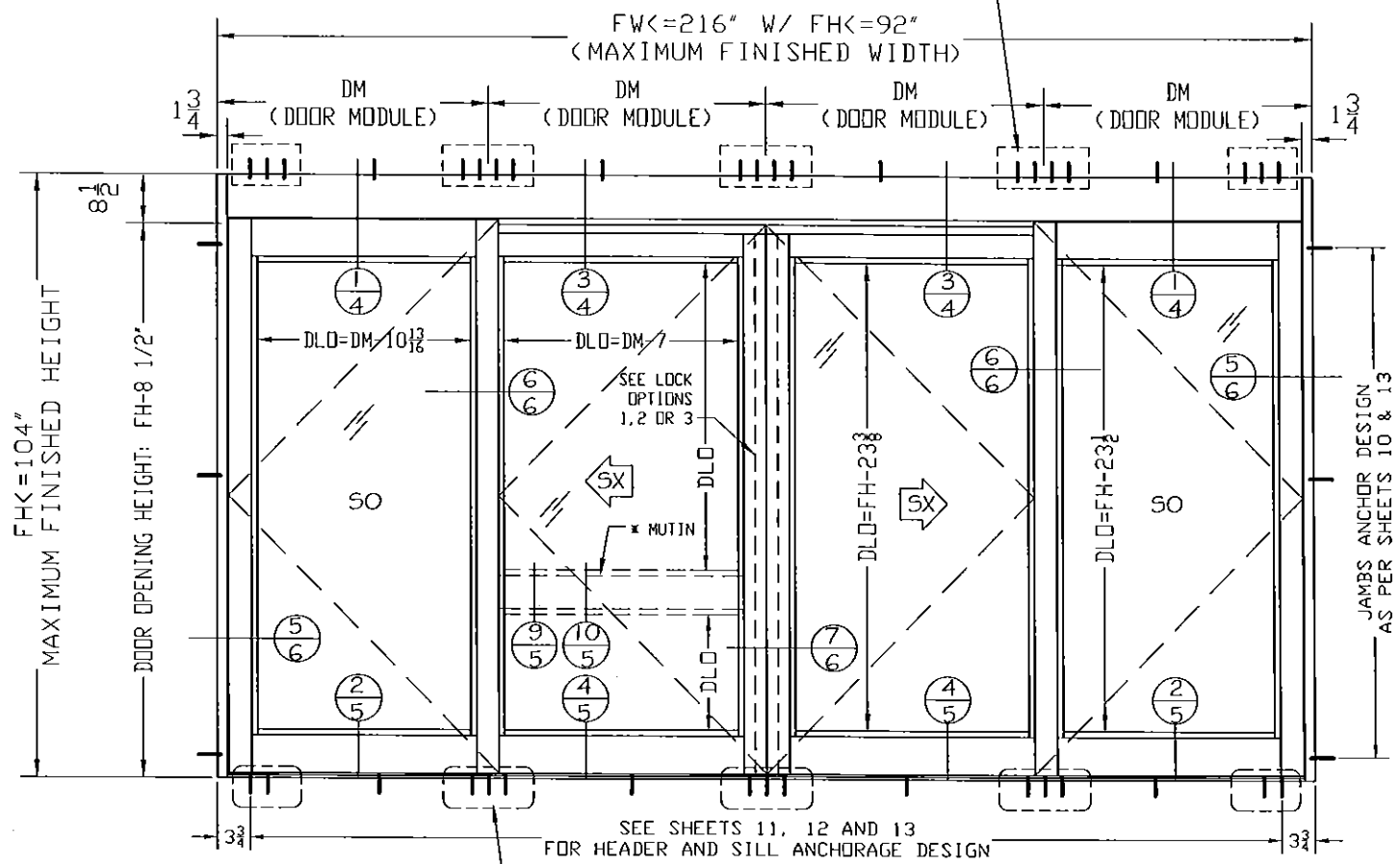
JUL 22 2015  
 Engineer Seal  
 Pedro De Figueiredo - PE 52609

MIAMI-DADE BCCO:  
**PRODUCT REVISED**  
 as complying with the Florida  
 Building Code  
 Acceptance No 15-0323-05  
 Expiration Date 12/26/18  
 By *Shag L. Chander*  
 Manual Daily Product Control

DATE: 02/19/2015  
 SCALE: NA  
 DESIGN BY: PPMF

SHEET 2 OF 21 DRAWING #: 15-048

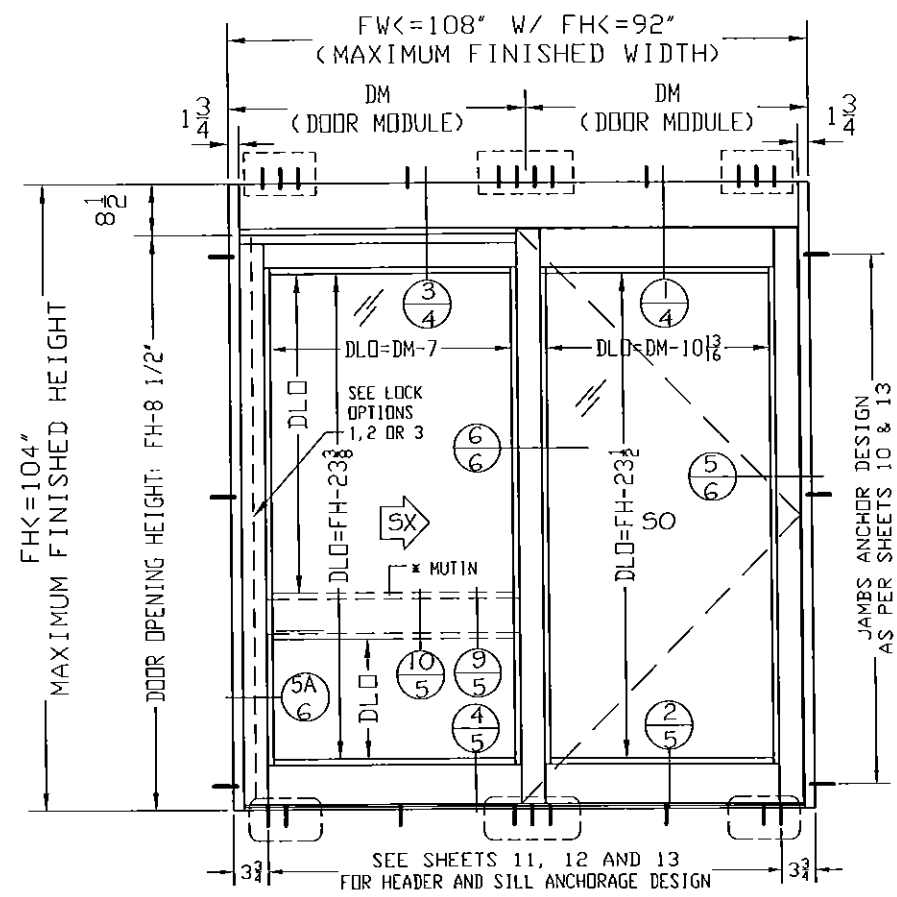
TYPICAL INTERLOCK AND MEETING STILES  
 HEADER CLUSTER OF ANCHORS  
 SEE SHEET 13 FOR MORE DETAILS



SO SX-SX SO  
 EXTERIOR VIEW

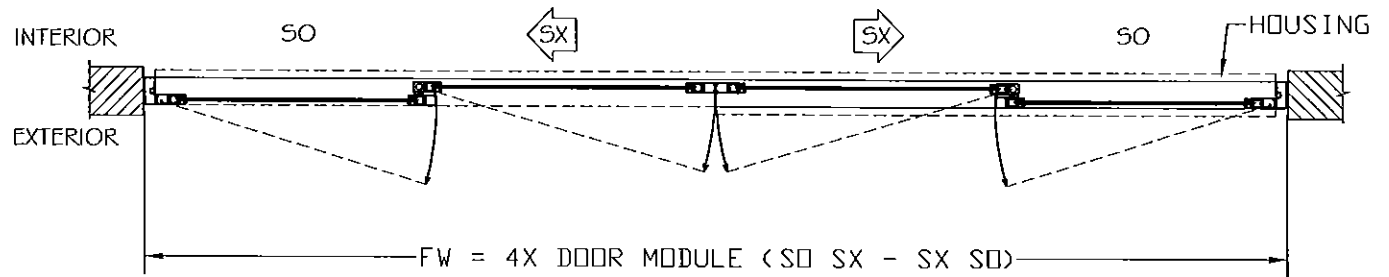
\* MUTIN IS OPTIONAL FOR HARDWARE 1 AND 2  
 AND MANDATORY FOR HARDWARE 3 (PANIC)

SEE TABLE 1 ON SHEET 2.1 OF 21  
 FOR DESIGN PRESSURES

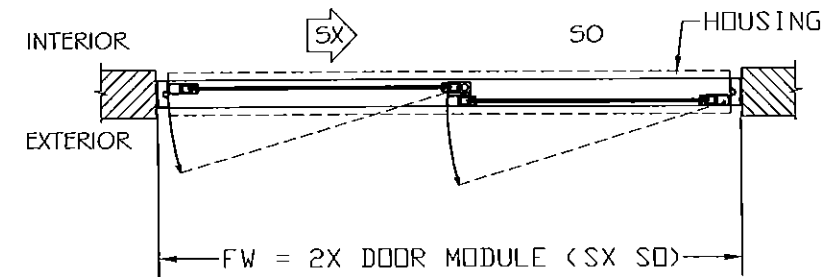


SX SO  
 EXTERIOR VIEW

TYPICAL INTERLOCK AND MEETING STILES  
 SILL CLUSTER OF ANCHORS  
 SEE SHEET 13 FOR MORE DETAILS



DOOR MODULE:  
 DM = FW / 4 FOR (SO SX-SX SO)  
 DM = FW / 2 FOR (SO SX)



(4 PANELS) DOOR OPENING WIDTH: DOW = 2X DM-12  
 (2 PANELS) DOOR OPENING WIDTH: DOW = 1X DM-6  
 DOOR OPENING HEIGHT: DOH = FH-8 1/2"

SYSTEM GT 1175 SERIES - MODEL 1175 FBO

TABLE 1 - MODEL 1175-FBO  
ALLOWABLE DESIGNED PRESSURES (PSF)

FH ( IN)	DM ( IN)	PRESSURE ( PSF) +/-	MODEL 1175-FBO CONFIGURATIONS NOTES:
92	36	105	1- SLIDING GLASS DOOR CAN BE CONFIGURED IN DIFFERENT WAYS BY USING THE APPROVED SECTIONS FOR EACH MODEL. 2- CONFIGURATIONS CAN BE MADE WITH 2 OR 4 MODULES AS LONG AS IT DOES NOT EXCEED THE MAXIMUM MODULE SIZES AND PRESSURES LISTED IN TABLE 1. 3- USE SECTIONS 1/4 AND 3/4 FOR HEADER DETAILS 4- USE SECTIONS 2/5 AND 4/5 FOR SILL DETAILS 5- USE SECTIONS 5/6 OR 5A/6 FOR JAMB DETAILS 6- USE SECTION 6/6 FOR INTERLOCK DETAIL 7- USE SECTION 7/6 FOR MEETING STILES DETAIL 8- OPTIONAL MID RAIL SECTION 9/5 (ANY PANEL)
	39	97	
	42	90	
	45	84	
	48	79	
96	54	70	
	36	101	
	39	93	
	42	87	
	45	81	
100	48	76	
	52	70	
	36	97	
	39	90	
	42	83	
104	45	78	
	48	73	
	49	70	
	36	93	
	39	86	
104	42	80	EXAMPLE FOR ALTERNATE CONFIGURATIONS  2 PANELS - 50 SX - FW<= 108" (FH<= 92") 2 PANELS - 50 SX - FW<= 96" (FH<= 104") 4 PANELS - 50 SX-SX 50 - FW<= 216" (FH<=92") 4 PANELS - 50 SX-SX 50 - FW<= 192" (FH<=104")
	45	75	
	48	70	
	48	70	

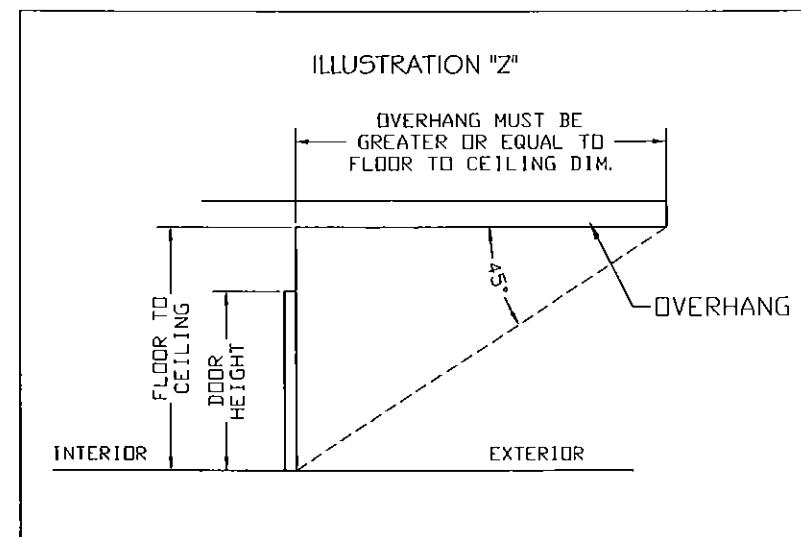
DOOR ARE NOT RATED FOR WATER INFILTRATION, INSTALLATION TO MEET ILLUSTRATION "Z" BELOW.

SYSTEM GT 1175 SERIES - MODEL 1175 FS

TABLE 2 - MODEL 1175-FS  
ALLOWABLE DESIGNED PRESSURES (PSF)

FH ( IN)	DM ( IN)	PRESSURE ( PSF) +/-	MODEL 1175-FS CONFIGURATIONS NOTES:
92	36	105	1- SLIDING GLASS DOOR CAN BE CONFIGURED IN DIFFERENT WAYS BY USING THE APPROVED SECTIONS FOR EACH MODEL. 2- CONFIGURATIONS CAN BE MADE WITH 2 OR 4 MODULES AS LONG AS IT DOES NOT EXCEED THE MAXIMUM MODULE SIZES AND PRESSURES LISTED IN TABLE 2. 3- USE SECTIONS 10/7 AND 30/7 FOR HEADER DETAILS 4- USE SECTIONS 20/8 AND 40/8 FOR SILL DETAILS 5- USE SECTIONS 50/9 AND 50A/9 FOR JAMB DETAILS 6- USE SECTION 60/9 FOR INTERLOCK DETAIL 7- USE SECTION 70/9 FOR MEETING STILES DETAIL 8- OPTIONAL MID RAIL SECTION 9/8 (ANY PANEL)
	39	97	
	42	90	
	45	84	
	48	79	
96	54	70	
	36	101	
	39	93	
	42	87	
	45	81	
100	48	76	
	52	70	
	36	97	
	39	90	
	42	83	
104	45	78	
	48	73	
	49	70	
	36	93	
	39	86	
104	42	80	EXAMPLE FOR ALTERNATE CONFIGURATIONS  2 PANELS - 0 SX - FW<= 108" (FH<= 92") 2 PANELS - 0 SX - FW<= 96" (FH<= 104") 4 PANELS - 0 SX-SX 0 - FW<= 216" (FH<=92") 4 PANELS - 0 SX-SX 0 - FW<= 192" (FH<=104")
	45	75	
	48	70	
	48	70	

DOOR ARE NOT RATED FOR WATER INFILTRATION, INSTALLATION TO MEET ILLUSTRATION "Z" BELOW.



**NABCO ENTRANCES INC**  
 882 W18717 GEMINI DRIVE  
 MUSKEGO, WISCONSIN 53150  
 PHONE: (877) 622-2694  
 FAX: (262) 679-2505

PRODUCT:  
**SYSTEM GT1175**  
 LARGE & SMALL MISSILE  
 IMPACT RATED  
 AUTOMATIC SLIDING GLASS DOOR

ENGINEERING:  
**ENGCO INC.** CA 8116  
 5595 ORANGE DR. 201  
 DAVIE, FL. 33314  
 Tel.: (954) 585-0304  
 WWW.ENGCOINC.COM



JUL 22 2015  
 Engineer Seal  
 Pedro De Figueiredo - PE 52609

MIAMI-DADE BCCO:  
**PRODUCT REVISED**  
 as complying with the Florida  
 Building Code  
 Acceptance No. 15-0323-05  
 Expiration Date 12/26/18  
 By *Ismael J. Hernandez*  
 Miami Dade Product Control

DATE: 02/19/2015  
 SCALE: NA  
 DESIGN BY: PPMF

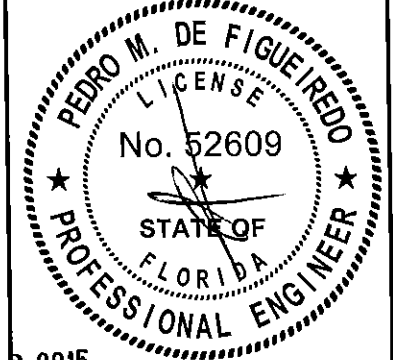
SHEET 2.1 OF 21  
 DRAWING #: 15-048

# SYSTEM GT 1175 SERIES - MODEL 1175 FS

MANUFACTURER:  
**NABCO**  
 NABCO ENTRANCES INC  
 S82 W18717 GEMINI DRIVE  
 MUSKEGO, WISCONSIN 53150  
 PHONE: (877) 622-2694  
 FAX: (262) 679-2505

PRODUCT:  
**SYSTEM GT1175**  
 LARGE & SMALL MISSILE  
 IMPACT RATED  
 AUTOMATIC SLIDING GLASS DOOR

ENGINEERING:  
**ENGCO INC.** CA 8116  
 5595 ORANGE DR. 201  
 DAVIE, FL. 33314  
 Tel.: (954) 585-0304  
 WWW.ENGCOINC.COM

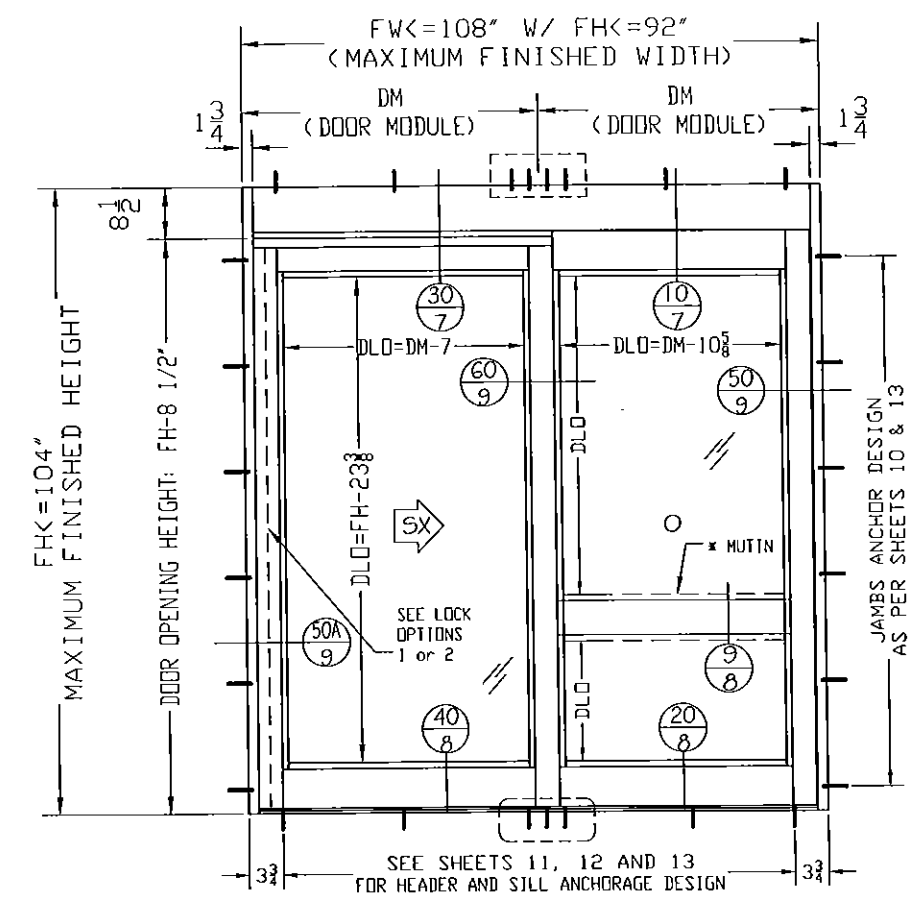
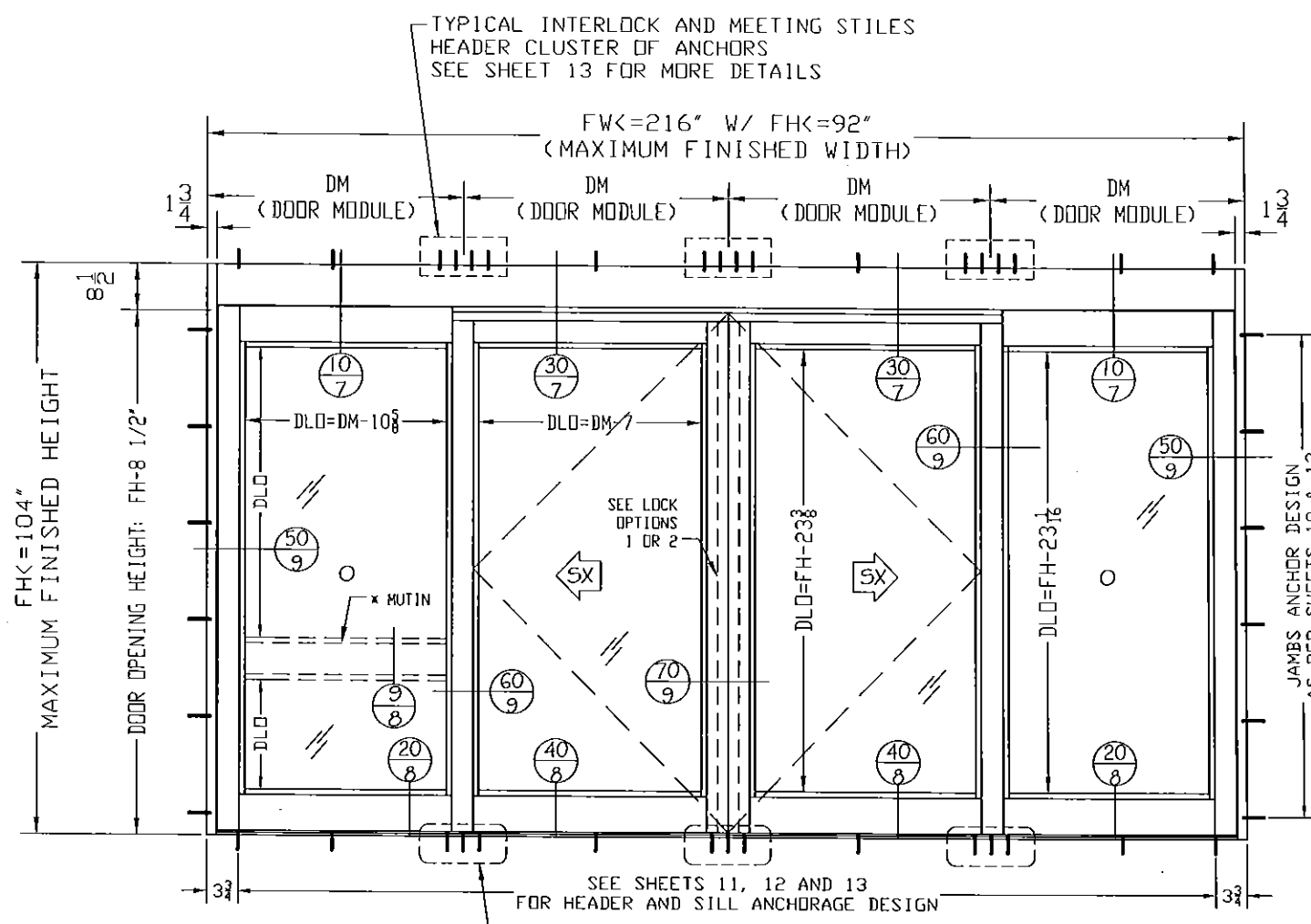


JUL 22 2015  
 Engineer Seal  
 Pedro De Figueiredo - PE 52609

MIAMI-DADE BCCO:  
**PRODUCT REVISED**  
 as complying with the Florida  
 Building Code  
 Acceptance No. 15-0323-05  
 Expiration Date 12/26/18  
 By *[Signature]*  
 Manual Product Control

DATE: 02/19/2015  
 SCALE: NA  
 DESIGN BY: PPMF

SHEET 3 OF 21  
 DRAWING #: 15-048



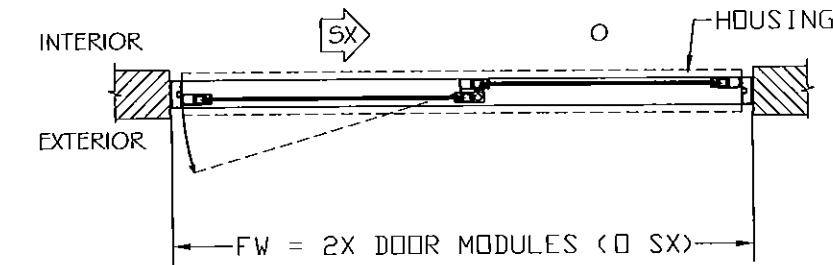
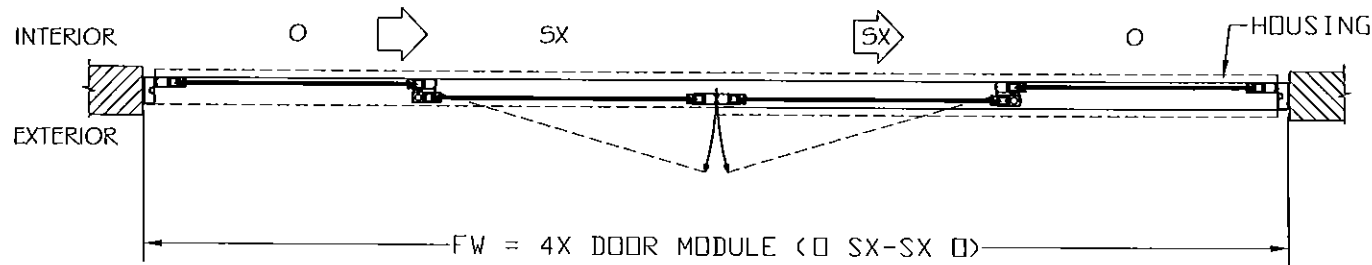
TYPICAL INTERLOCK AND MEETING STILES  
 SILL CLUSTER OF ANCHORS  
 SEE SHEET 13 FOR MORE DETAILS

\* MUTIN IS OPTIONAL FOR FS MODEL DOOR  
 THEY CAN BE INSTALLED IN SX OR O PANELS

SO SX-SX SO  
 EXTERIOR VIEW

SEE TABLE 2 ON SHEET 2.1 OF 21  
 FOR DESIGN PRESSURES

SX SO  
 EXTERIOR VIEW



DOOR MODULE:  
 DM = FW/4 FOR (O SX-SX O)  
 DM = FW/2 FOR (O SX)

(4 PANELS) DOOR OPENING WIDTH: DOW = 2X DM-12  
 (2 PANELS) DOOR OPENING WIDTH: DOW = 1X DM-6  
 DOOR OPENING HEIGHT: DOH = FH-8 1/2"

# HEADER SECTION DETAILS - 1175 FBO

MANUFACTURER:



**NABCO ENTRANCES INC**

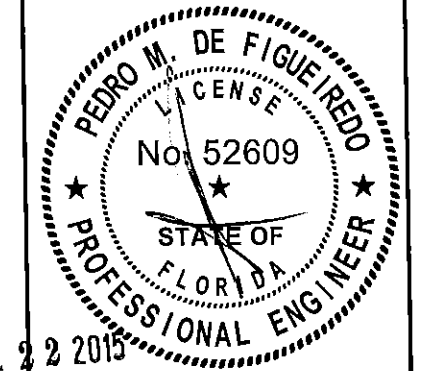
S82 W18717 GEMINI DRIVE  
MUSKEGO, WISCONSIN 53150  
PHONE: (877) 622-2694  
FAX: (262) 679-2505

PRODUCT:

**SYSTEM GT1175**  
LARGE & SMALL MISSILE  
IMPACT RATED  
AUTOMATIC SLIDING GLASS DOOR

ENGINEERING:

**ENGCO INC.** CA 8116  
5595 ORANGE DR. 201  
DAVIE, FL. 33314  
Tel.: (954) 585-0304  
WWW.ENGCOINC.COM



Engineer Seal  
Pedro De Figueiredo - PE 52609

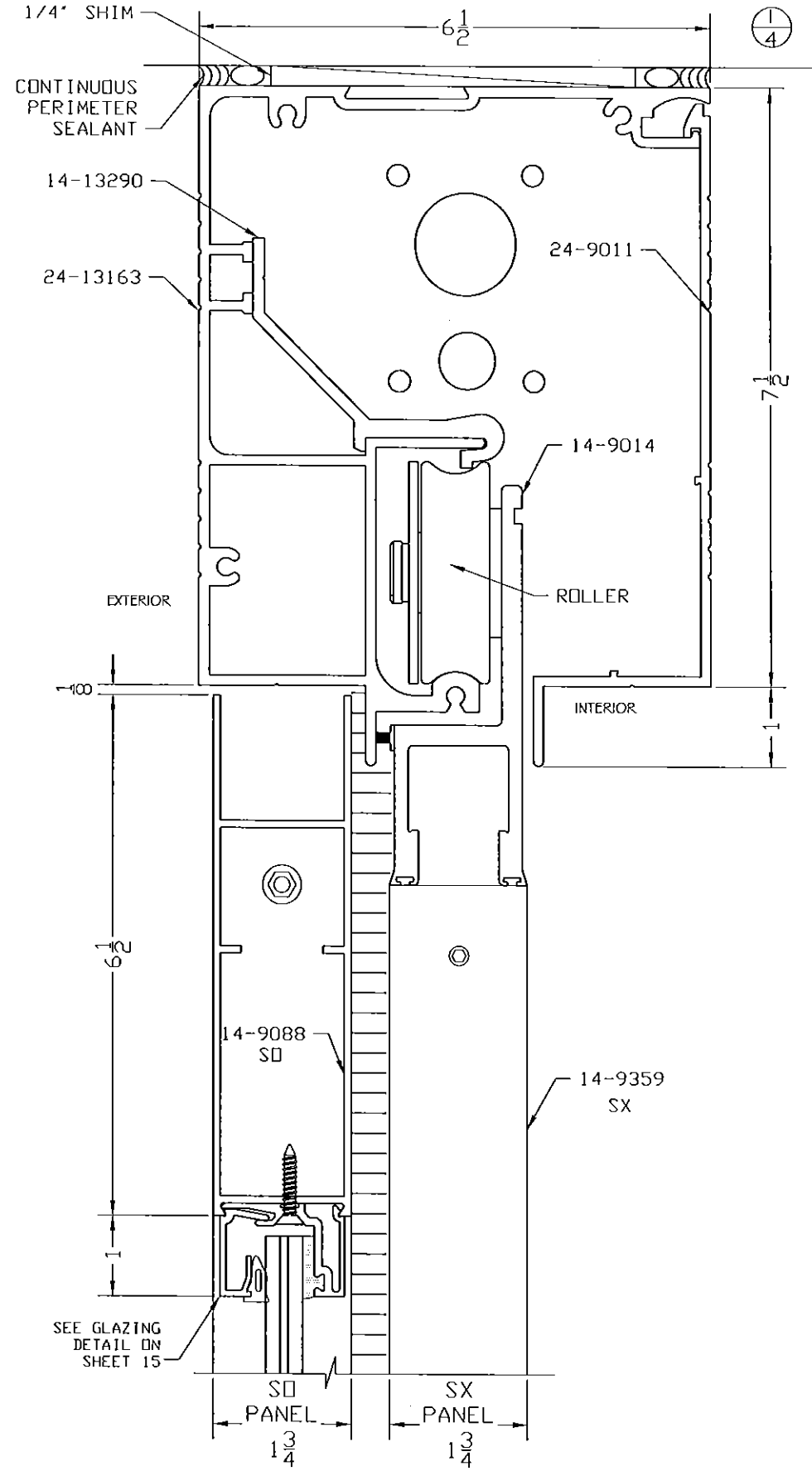
MIAMI-DADE BCCO:

**PRODUCT REVISED**  
as complying with the Florida  
Building Code  
Acceptance No. 15-0323-05  
Expiration Date 12/26/18  
By [Signature]  
Miami Dade Product Control

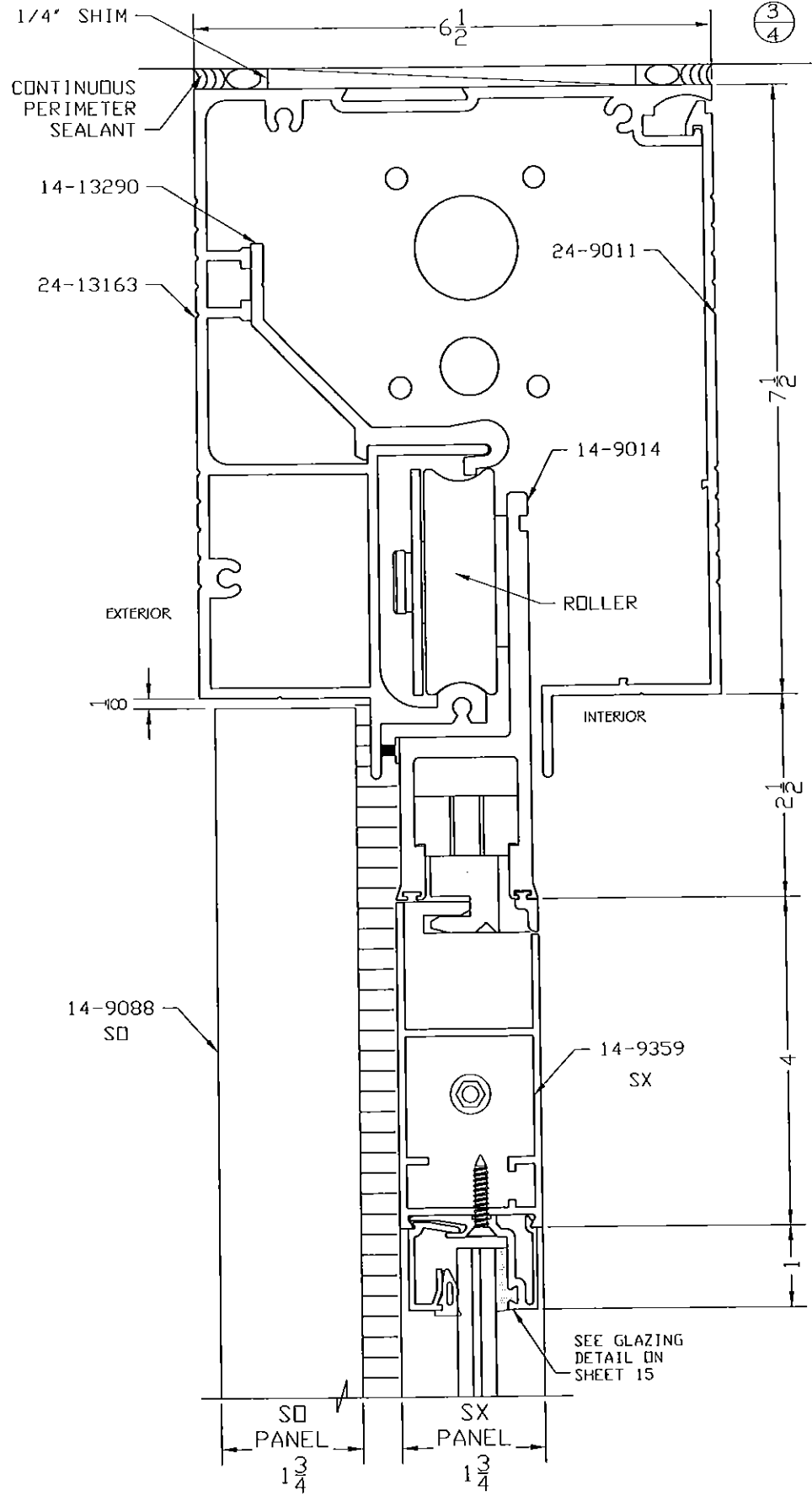
DATE: 02/19/2015  
SCALE: NA  
DESIGN BY: PPMF

SHEET 4 OF 21      DRAWING #: 15-048

SEE SHEET 11, 12 & 13  
FOR ANCHORAGE DESIGN

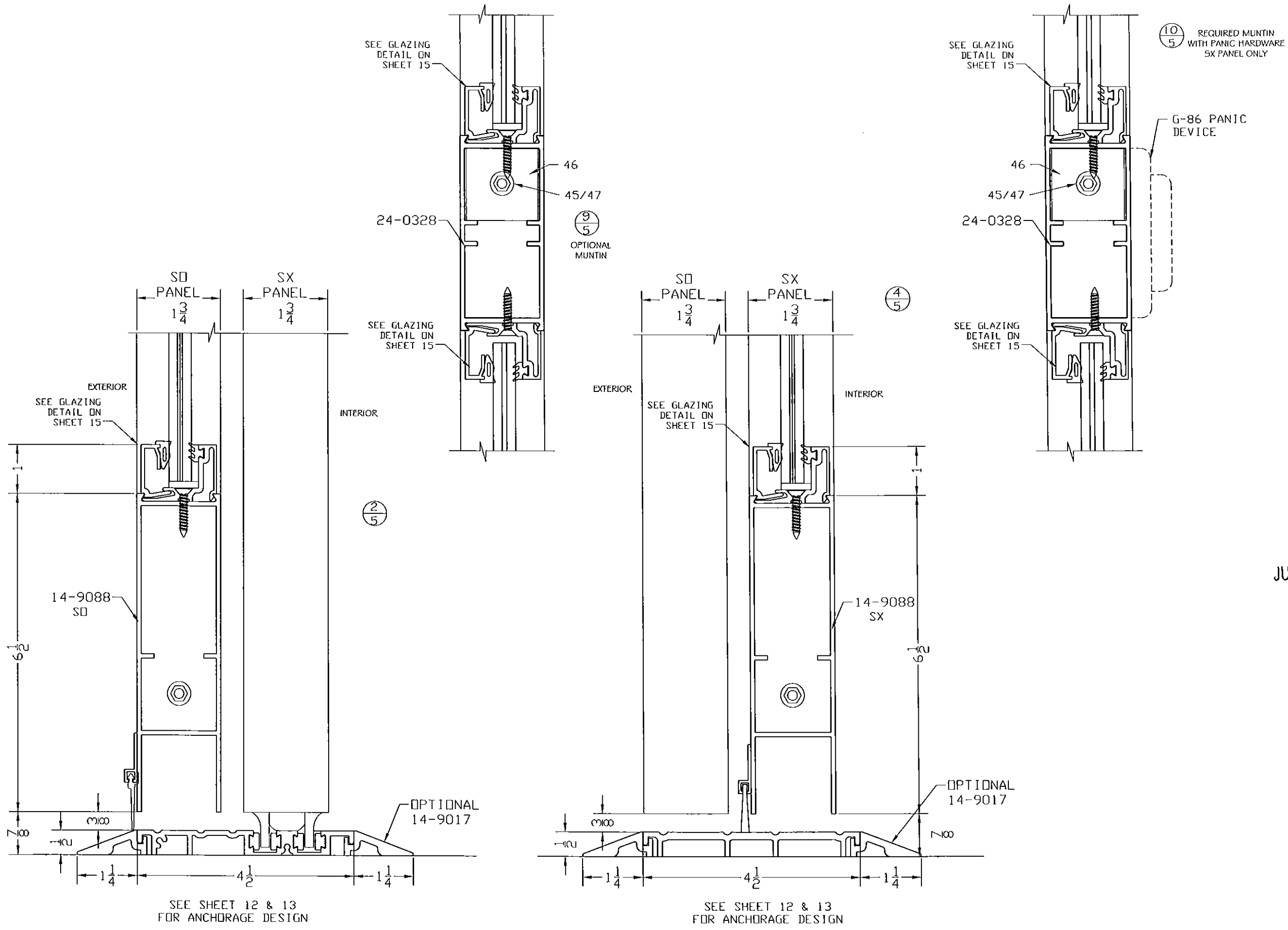


SEE SHEET 11, 12 & 13  
FOR ANCHORAGE DESIGN





SILL SECTION DETAILS - 1175 FBO



SEE SHEET 12 & 13 FOR ANCHORAGE DESIGN

SEE SHEET 12 & 13 FOR ANCHORAGE DESIGN

MANUFACTURER:



NABCO ENTRANCES INC

S82 W18717 GEMINI DRIVE  
MUSKEGO, WISCONSIN 53150  
PHONE: (877) 622-2694  
FAX: (262) 679-2505

PRODUCT:

SYSTEM GT1175  
LARGE & SMALL MISSILE  
IMPACT RATED  
AUTOMATIC SLIDING GLASS DOOR

ENGINEERING:

ENGCO INC. CA 8116  
5595 ORANGE DR. 201  
DAVIE, FL. 33314  
Tel.: (954) 585-0304  
WWW.ENGCOINC.COM



JUL 22 2015  
Engineer Seal  
Pedro De Figueiredo - PE 52609

MIAMI-DADE BCCO:

PRODUCT REVISED  
as complying with the Florida  
Building Code  
Acceptance No. 15-0323-05  
Expiration Date 12/26/18  
By *[Signature]*  
Miami Dade Product Control

DATE: 02/19/2015  
SCALE: NA  
DESIGN BY: PPMF

SHEET 5 OF 21 DRAWING #: 15-048

JAMB, INTERLOCK AND MEETING SECTION DETAILS - 1175 FBO

MANUFACTURER:



NABCO ENTRANCES INC

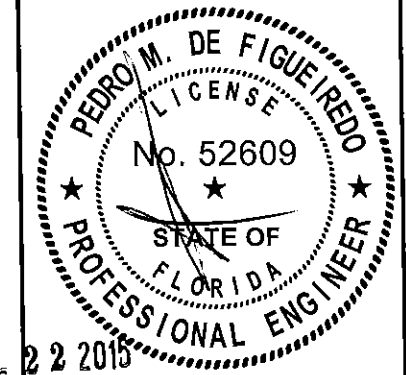
S82 W18717 GEMINI DRIVE  
MUSKEGO, WISCONSIN 53150  
PHONE: (877) 622-2694  
FAX: (262) 679-2505

PRODUCT:

SYSTEM GT1175  
LARGE & SMALL MISSILE  
IMPACT RATED  
AUTOMATIC SLIDING GLASS DOOR

ENGINEERING:

ENGCO INC. CA 8116  
5595 ORANGE DR. 201  
DAVIE, FL. 33314  
Tel.: (954) 585-0304  
WWW.ENGCOINC.COM



Engineer Seal  
Pedro De Figueiredo - PE 52609

MIAMI-DADE BCCO:

PRODUCT REVISED  
as complying with the Florida  
Building Code  
Acceptance No. 15-0323.05  
Expiration Date 12/26/18  
By *Iskay Wilbank*  
Miami Dade Product Control

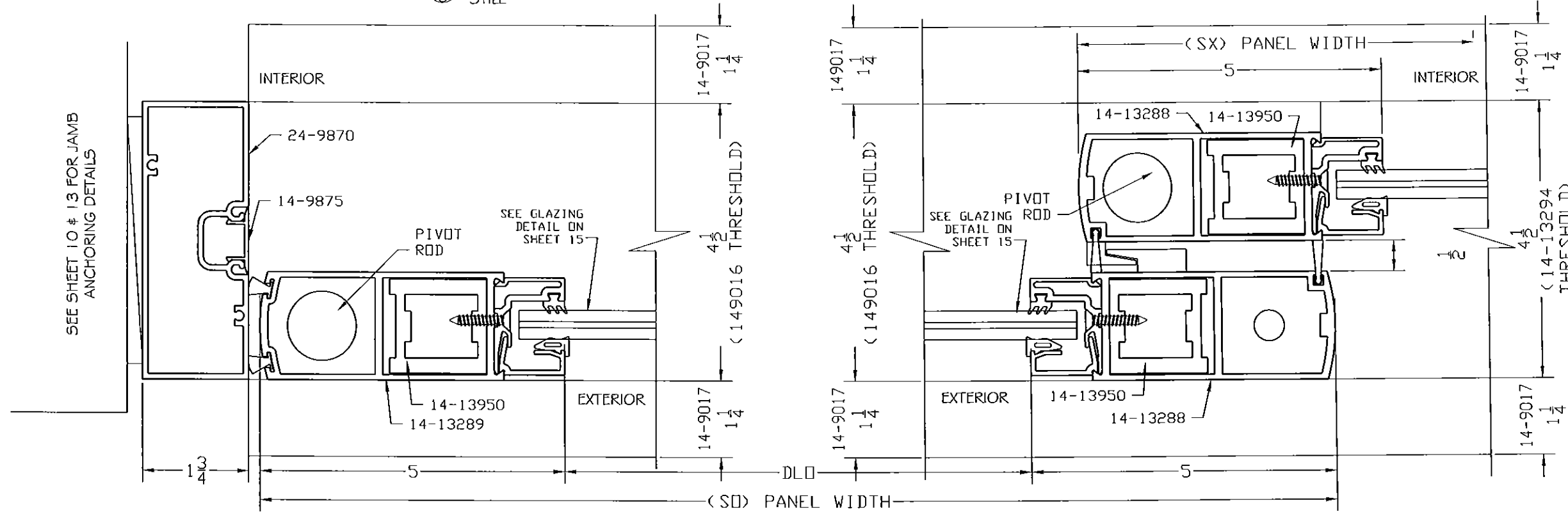
DATE: 02/19/2015  
SCALE: NA  
DESIGN BY: PPMF

SHEET  
6 OF 21

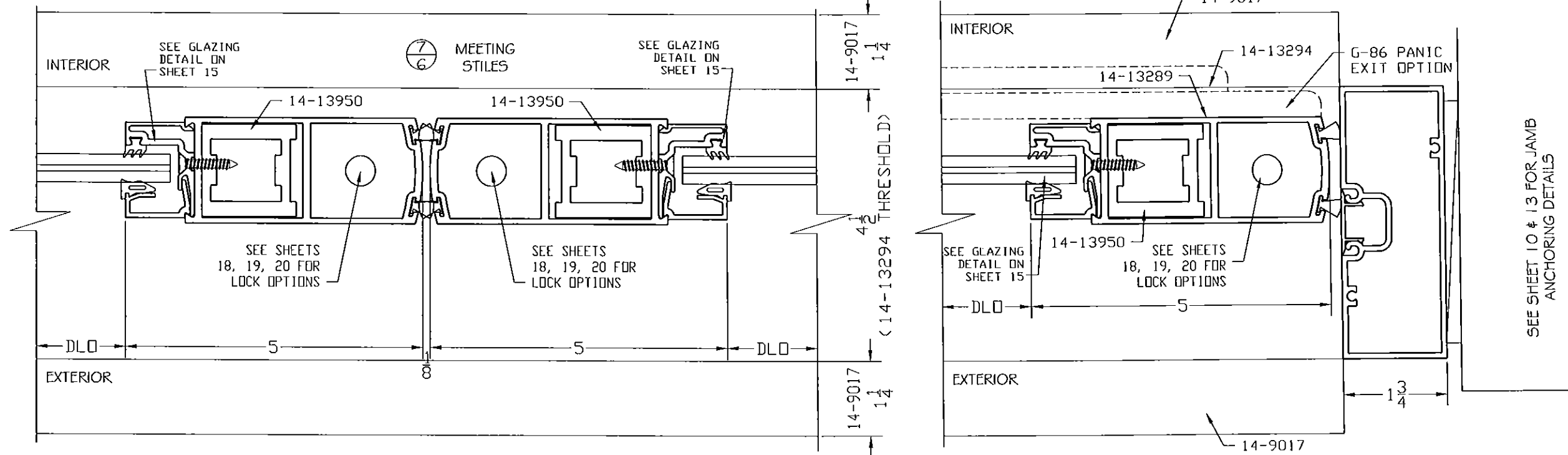
DRAWING #:  
15-048

5  
6 JAMB  
STILE

6  
6 INTERLOCK  
STILE



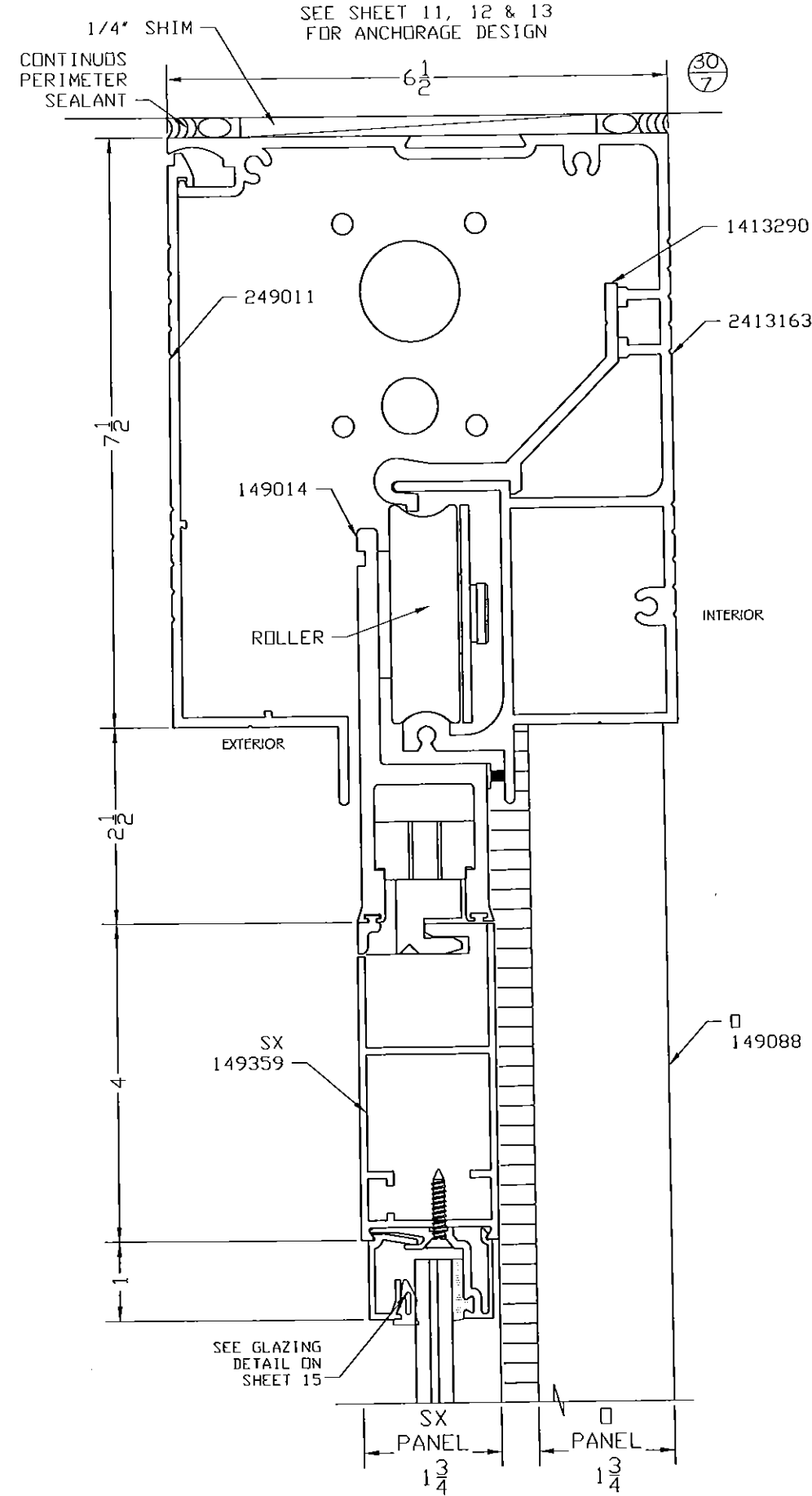
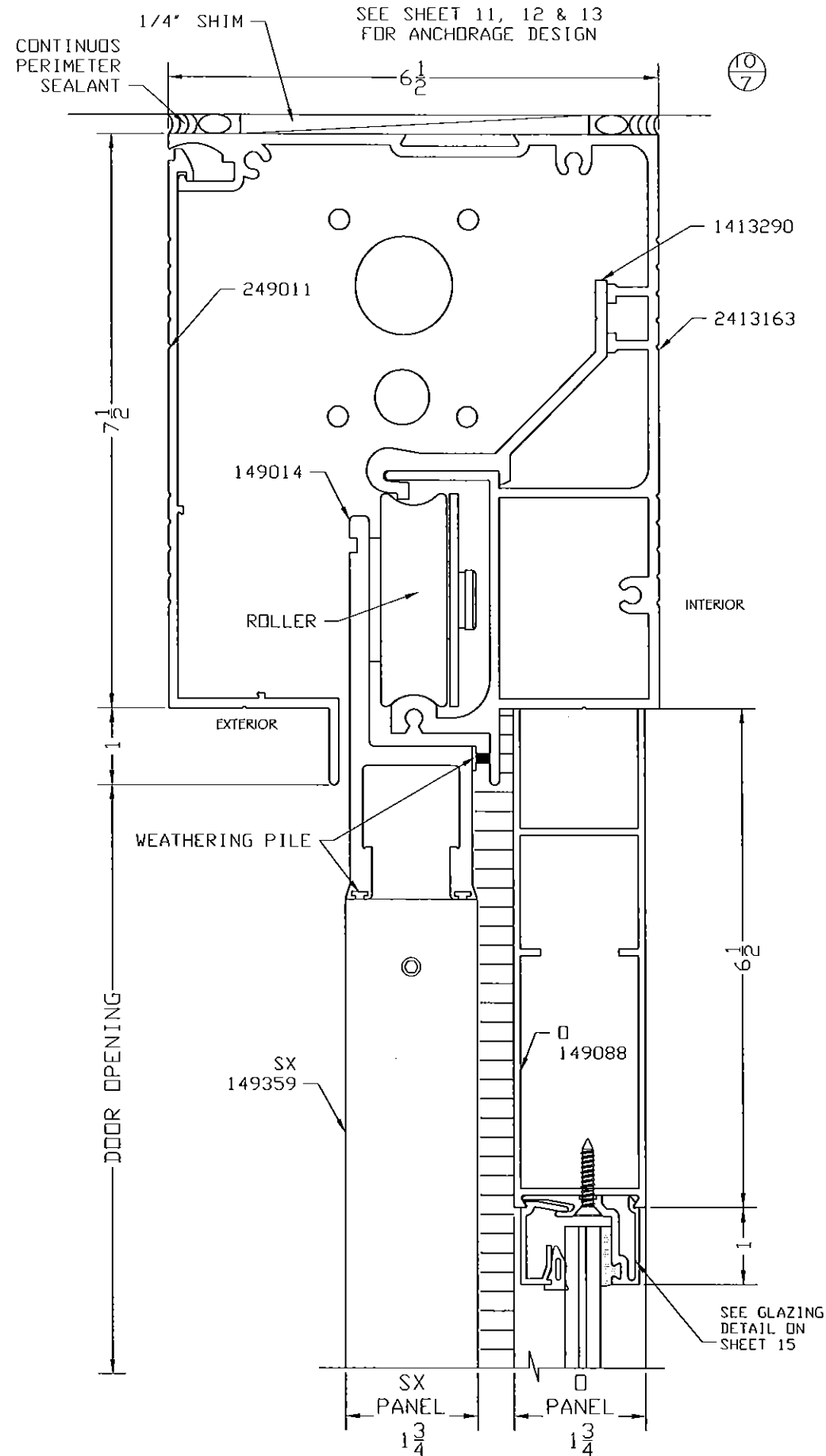
5A  
6 SX JAMB STILE:  
(SO SX) 2 PANELS  
TYPE DOOR



SEE SHEET 10 & 13 FOR JAMB ANCHORING DETAILS

SEE SHEET 10 & 13 FOR JAMB ANCHORING DETAILS

# HEADER SECTION DETAILS - 1175 FS



MANUFACTURER:



NABCO ENTRANCES INC

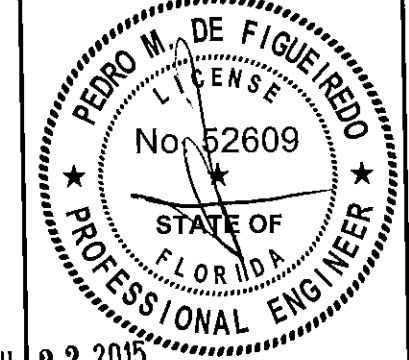
S82 W18717 GEMINI DRIVE  
MUSKEGO, WISCONSIN 53150  
PHONE: (877) 622-2694  
FAX: (262) 679-2505

PRODUCT:

SYSTEM GT1175  
LARGE & SMALL MISSILE  
IMPACT RATED  
AUTOMATIC SLIDING GLASS DOOR

ENGINEERING:

ENGCO INC. CA 8116  
5595 ORANGE DR. 201  
DAVIE, FL. 33314  
Tel.: (954) 585-0304  
WWW.ENGCOINC.COM



JUL 22 2015  
Engineer Seal  
Pedro De Figueiredo - PE 52609

MIAMI-DADE BCCO:

PRODUCT REVISED  
as complying with the Florida  
Building Code  
Acceptance No. 15-0323-05  
Expiration Date 12/26/18  
By *[Signature]*  
Miami Dade Product Control

DATE: 02/19/2015  
SCALE: NA  
DESIGN BY: PPMF

SHEET  
7 OF 21

DRAWING #:  
15-048

SILL SECTION DETAILS - 1175 FS

MANUFACTURER:  
**NABCO**  
 NABCO ENTRANCES INC  
 882 W18717 GEMINI DRIVE  
 MUSKEGO, WISCONSIN 53150  
 PHONE: (877) 622-2694  
 FAX: (262) 679-2505

PRODUCT:  
**SYSTEM GT1175**  
 LARGE & SMALL MISSILE  
 IMPACT RATED  
 AUTOMATIC SLIDING GLASS DOOR

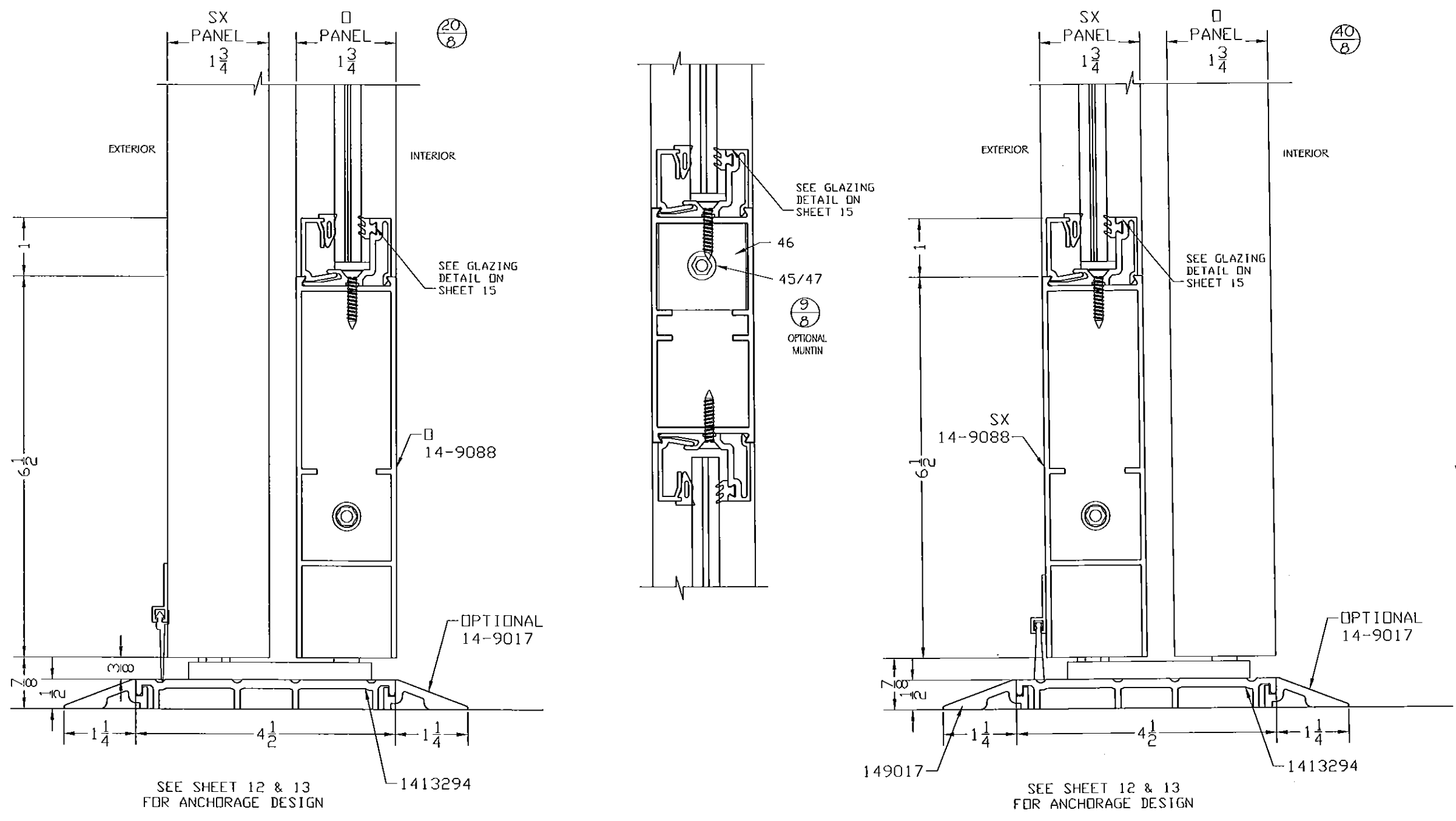
ENGINEERING:  
**ENGCO INC.** CA 8116  
 5595 ORANGE DR. 201  
 DAVIE, FL. 33314  
 Tel.: (954) 585-0304  
 WWW.ENGCOINC.COM

**PEDRO M. DE FIGUEIREDO**  
 LICENSE  
 No. 52609  
 STATE OF  
 FLORIDA  
 PROFESSIONAL ENGINEER  
 JUL 22 2015  
 Engineer Seal  
 Pedro De Figueiredo - PE 52609

MIAMI-DADE BCCO:  
**PRODUCT REVISED**  
 as complying with the Florida  
 Building Code  
 Acceptance No. 15-0322-05  
 Expiration Date 12/26/18  
 By *[Signature]*  
 Miami Dade Product Control

DATE: 02/19/2015  
 SCALE: NA  
 DESIGN BY: PPMF

SHEET 8 OF 21 DRAWING #: 15-048



JAMB, INTERLOCK AND MEETING SECTION DETAILS - 1175 FS

50  
9 JAMB STILE

60  
9 INTERLOCK STILE

MANUFACTURER:



NABCO ENTRANCES INC

S82 W18717 GEMINI DRIVE  
MUSKEGO, WISCONSIN 53150  
PHONE: (877) 622-2694  
FAX: (262) 679-2505

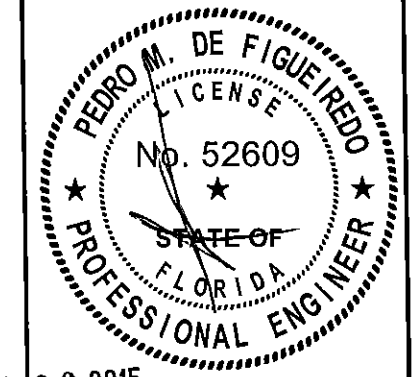
PRODUCT:

SYSTEM GT1175  
LARGE & SMALL MISSILE  
IMPACT RATED  
AUTOMATIC SLIDING GLASS DOOR

ENGINEERING:

ENGCO INC. CA 8116

5595 ORANGE DR. 201  
DAVIE, FL. 33314  
Tel.: (954) 585-0304  
WWW.ENGCOINC.COM



JUL 22 2015 Engineer Seal  
Pedro De Figueiredo - PE 52609

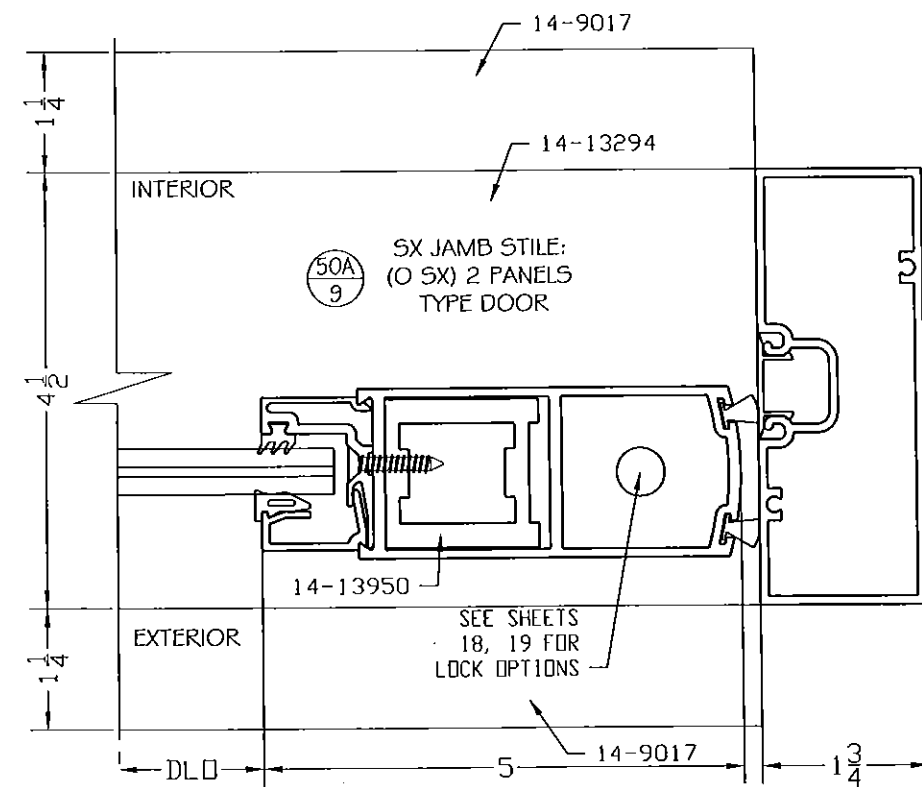
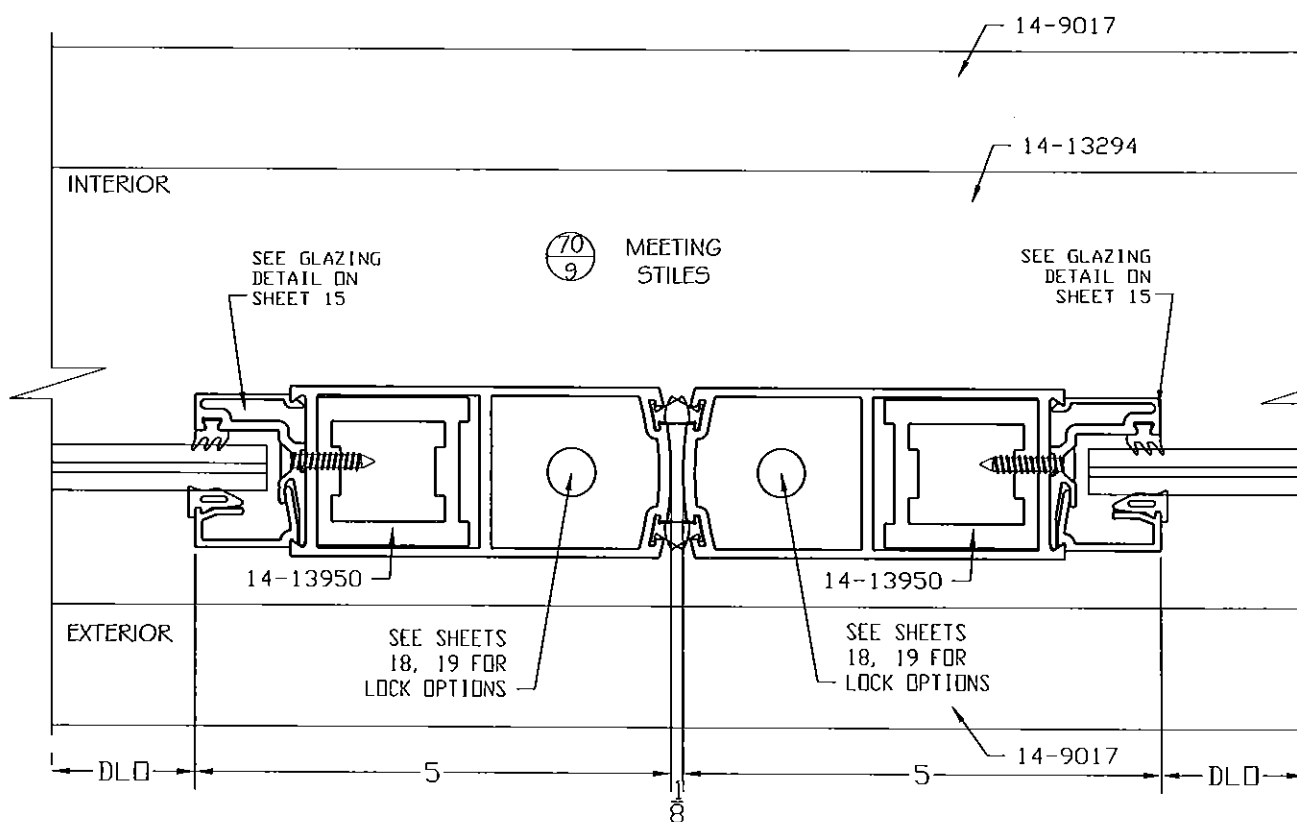
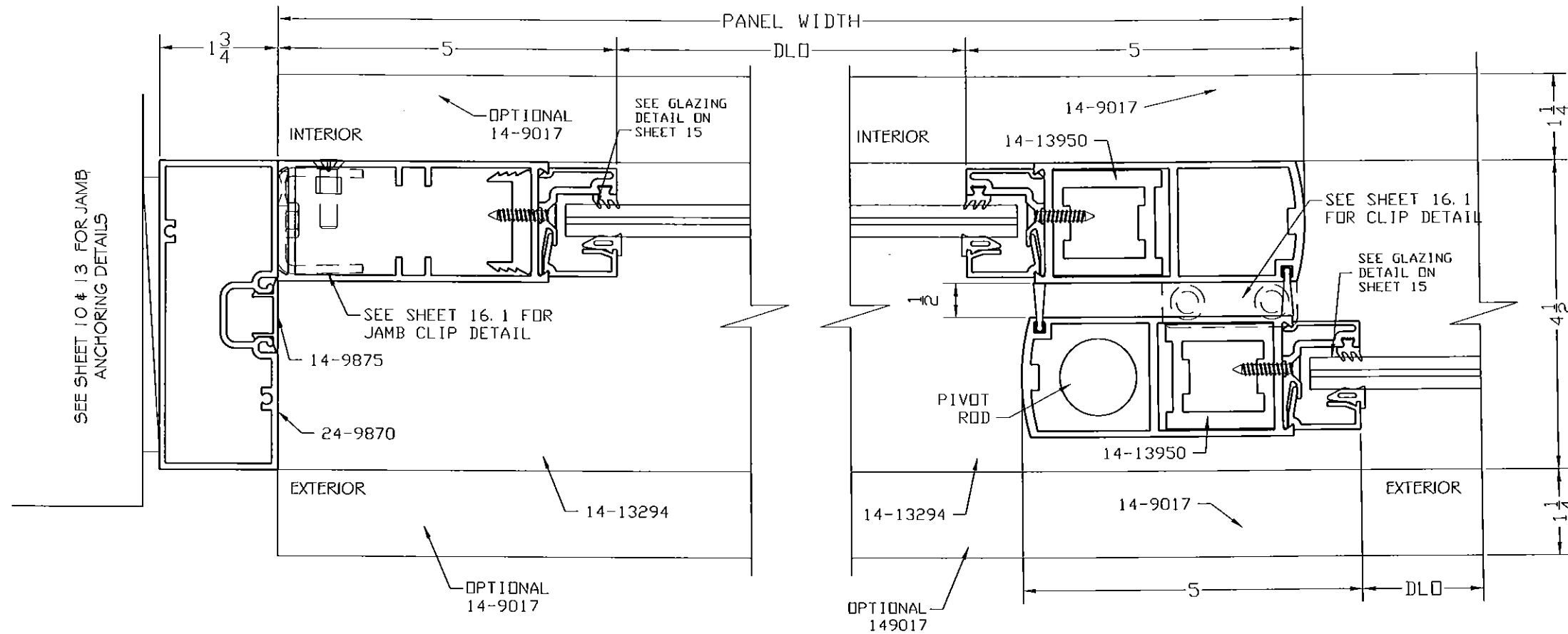
MIAMI-DADE BCCO:

PRODUCT REVISED  
as complying with the Florida  
Building Code  
Acceptance No. 15-0323-05  
Expiration Date 12/26/18  
By *Cheryl L. Henderson*  
Miami Dade Product Control

DATE: 02/19/2015  
SCALE: NA  
DESIGN BY: PPMF

SHEET  
9 OF 21

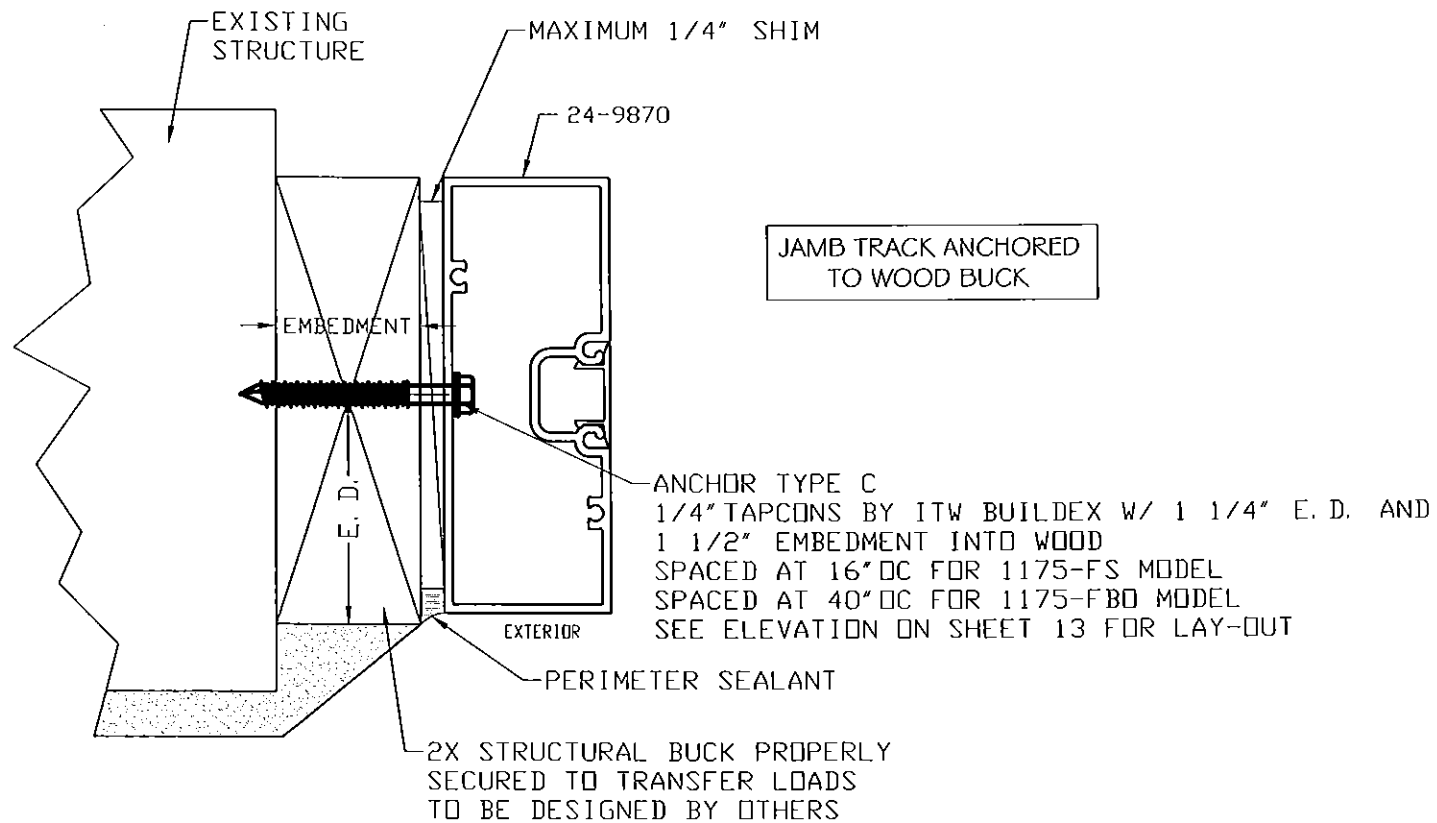
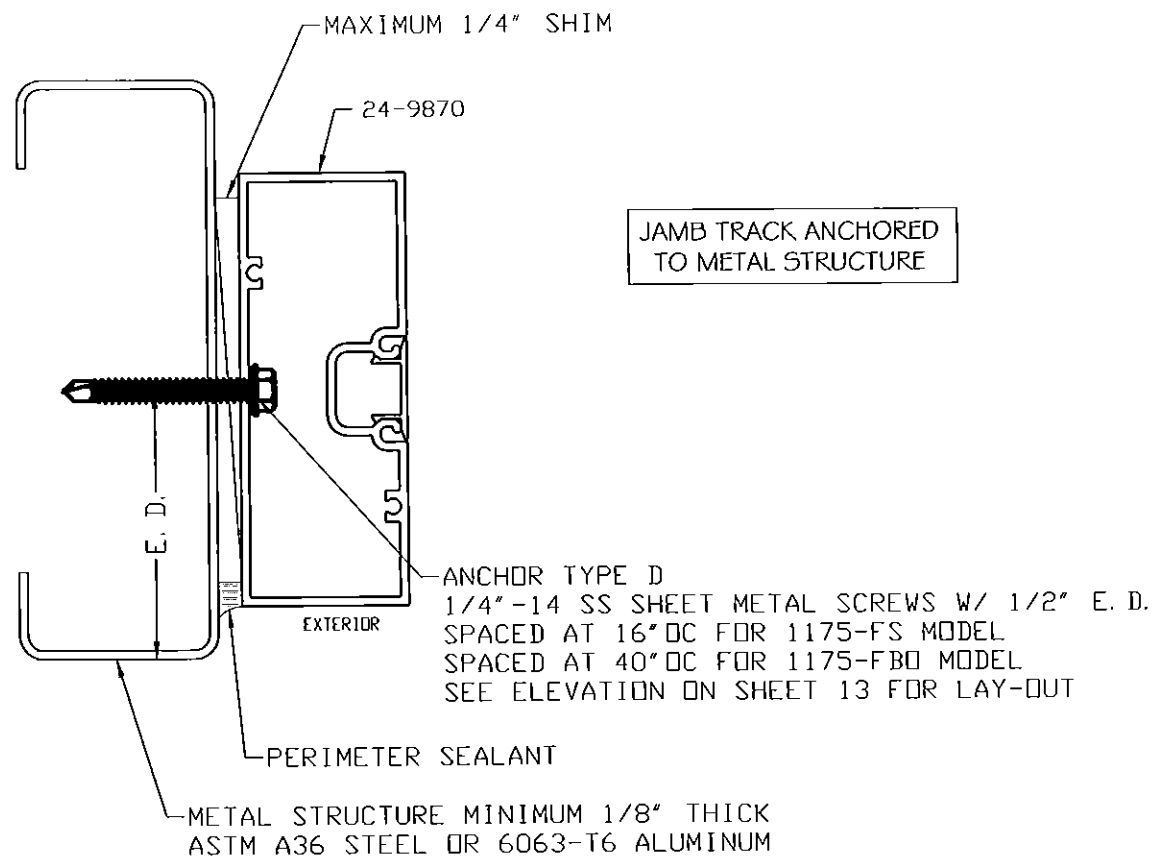
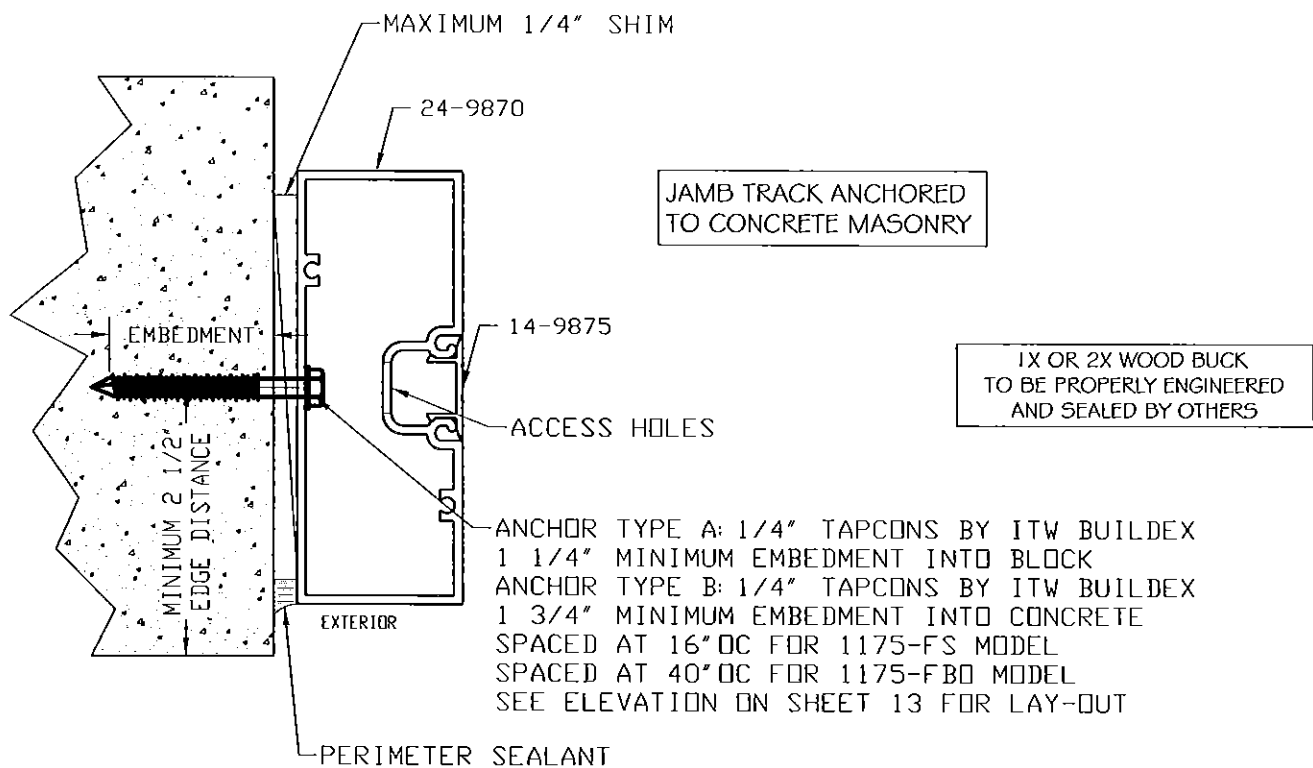
DRAWING #:  
15-048



SEE SHEET 10 & 13 FOR JAMB ANCHORING DETAILS

SEE SHEET 10 & 13 FOR JAMB ANCHORING DETAILS

JAMB FRAMING ANCHORAGE DETAILS



MANUFACTURER:



NABCO ENTRANCES INC

S82 W18717 GEMINI DRIVE  
MUSKEGO, WISCONSIN 53150  
PHONE: (877) 622-2694  
FAX: (262) 679-2505

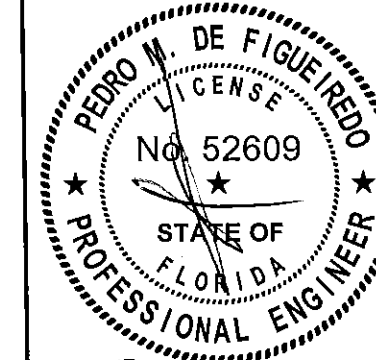
PRODUCT:

SYSTEM GT1175  
LARGE & SMALL MISSILE  
IMPACT RATED  
AUTOMATIC SLIDING GLASS DOOR

ENGINEERING:

ENGCO INC. CA 8116

5595 ORANGE DR. 201  
DAVIE, FL. 33314  
Tel.: (954) 585-0304  
WWW.ENGCOINC.COM



JUL 22 2015  
Engineer Seal  
Pedro De Figueiredo - PE 52609

MIAMI-DADE BCCO:

PRODUCT REVISED  
as complying with the Florida  
Building Code  
Acceptance No. 15-0323-05  
Expiration Date 12/26/18  
By *[Signature]*  
Miami Dade Product Control

DATE: 02/19/2015  
SCALE: NA  
DESIGN BY: PPMF

SHEET 10 OF 21 DRAWING #: 15-048

HEADER FRAMING ANCHORAGE DETAILS

MANUFACTURER:



NABCO ENTRANCES INC

S82 W18717 GEMINI DRIVE  
MUSKEGO, WISCONSIN 53150  
PHONE: (877) 622-2694  
FAX: (262) 679-2505

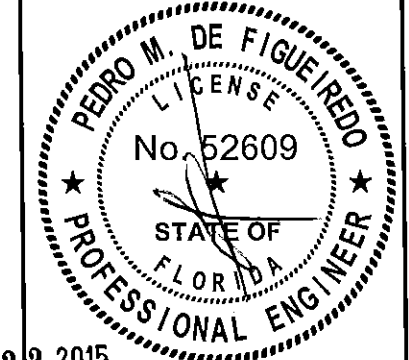
PRODUCT:

SYSTEM GT1175  
LARGE & SMALL MISSILE  
IMPACT RATED  
AUTOMATIC SLIDING GLASS DOOR

ENGINEERING:

ENGCO INC. CA 8116

5595 ORANGE DR. 201  
DAVIE, FL. 33314  
Tel.: (954) 585-0304  
WWW.ENGCOINC.COM



JUL 22 2015

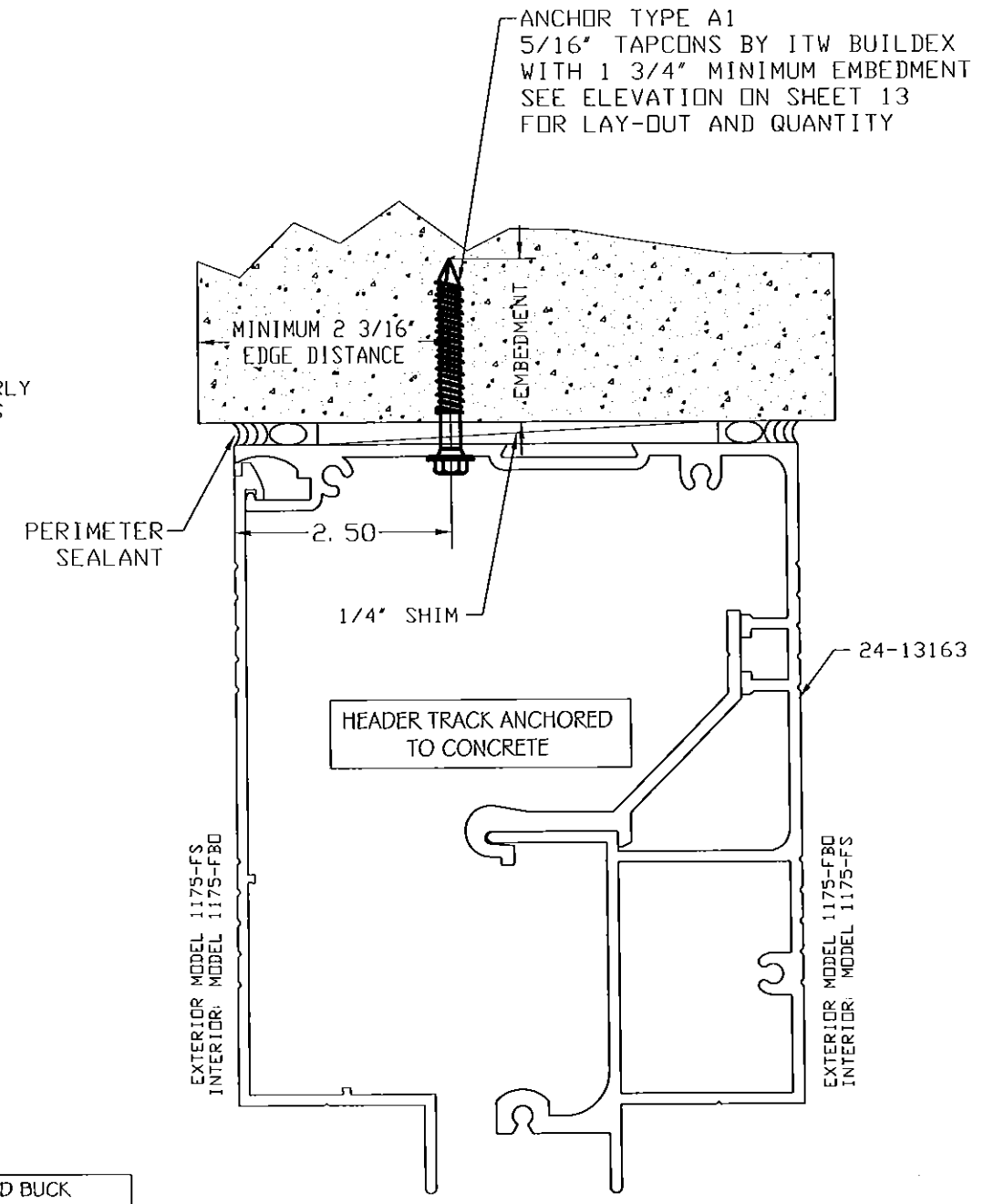
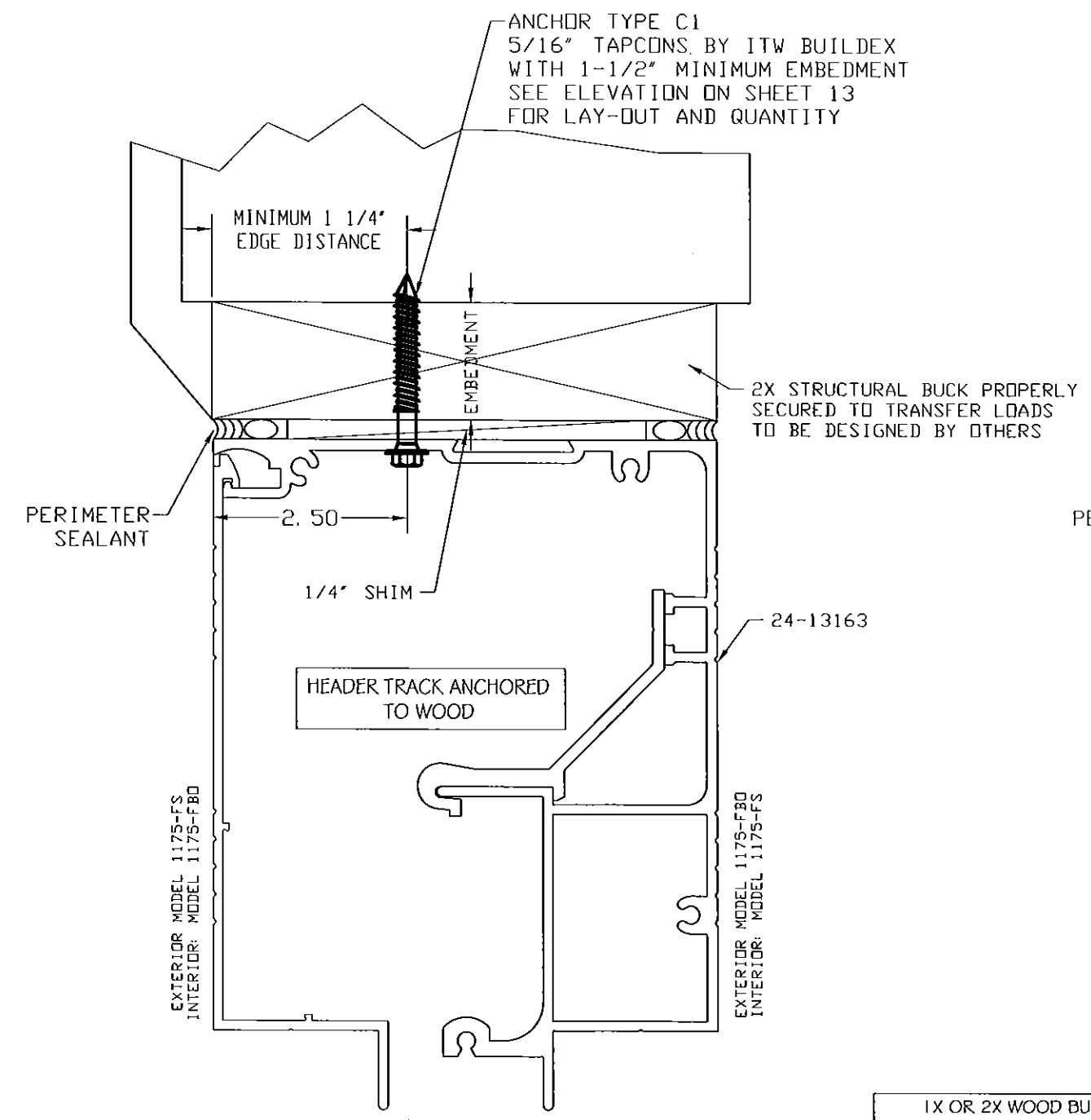
Engineer Seal  
Pedro De Figueiredo - PE 52609

MIAMI-DADE BCCO:

**PRODUCT REVISED**  
as complying with the Florida  
Building Code  
Acceptance No. 15-0323.05  
Expiration Date 12/24/15  
By *[Signature]*  
Miami Dade Product Control

DATE: 02/19/2015  
SCALE: NA  
DESIGN BY: PPMF

SHEET 11 OF 21 DRAWING #: 15-048



1X OR 2X WOOD BUCK  
TO BE PROPERLY ENGINEERED  
AND SEALED BY OTHERS

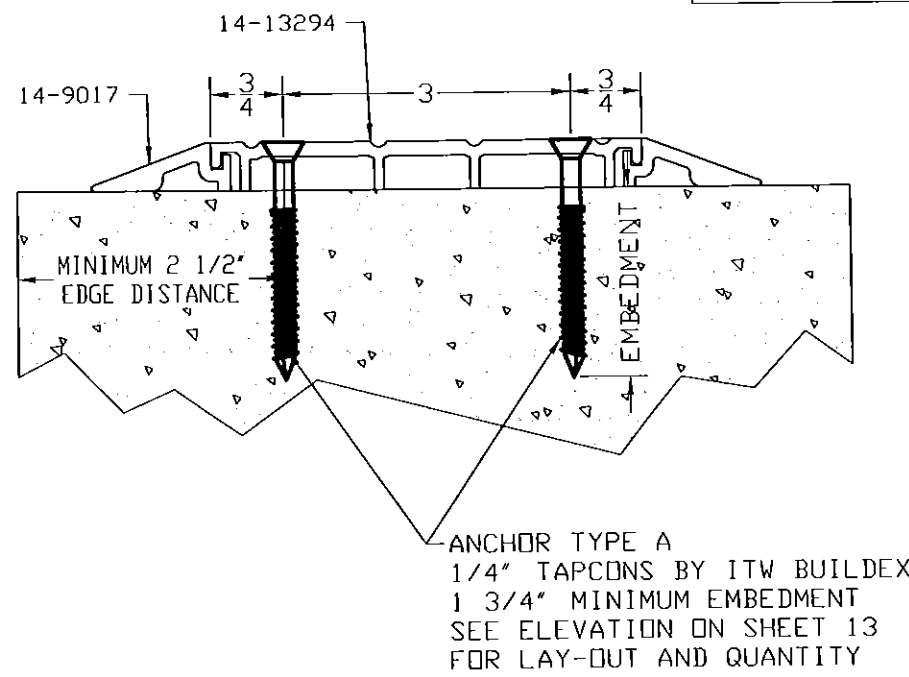
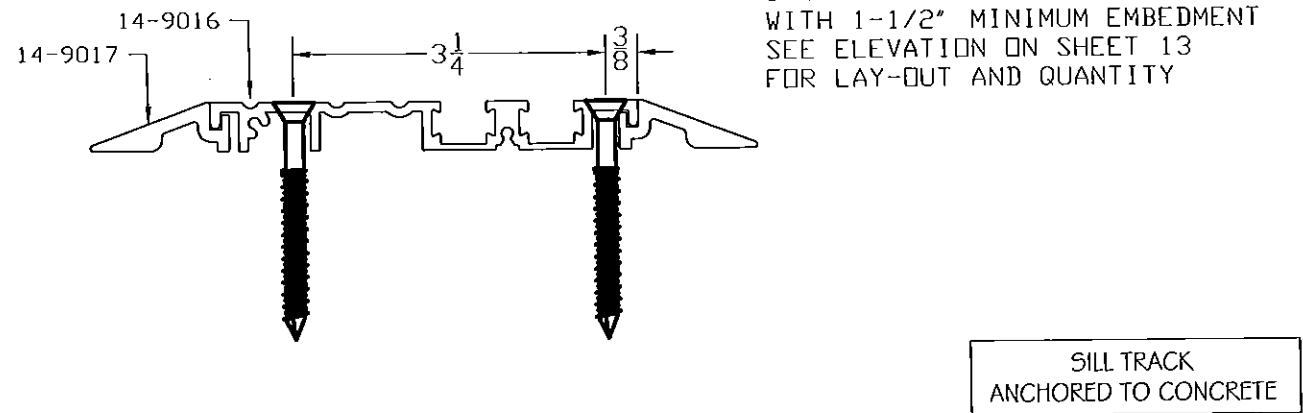
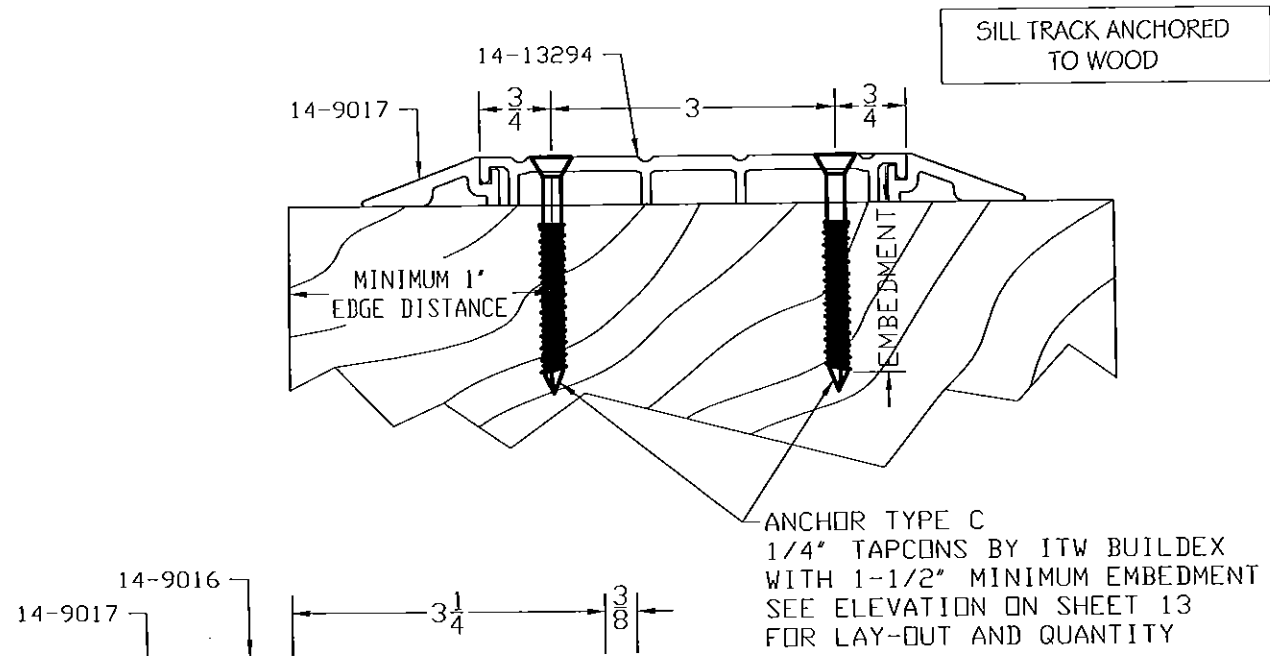
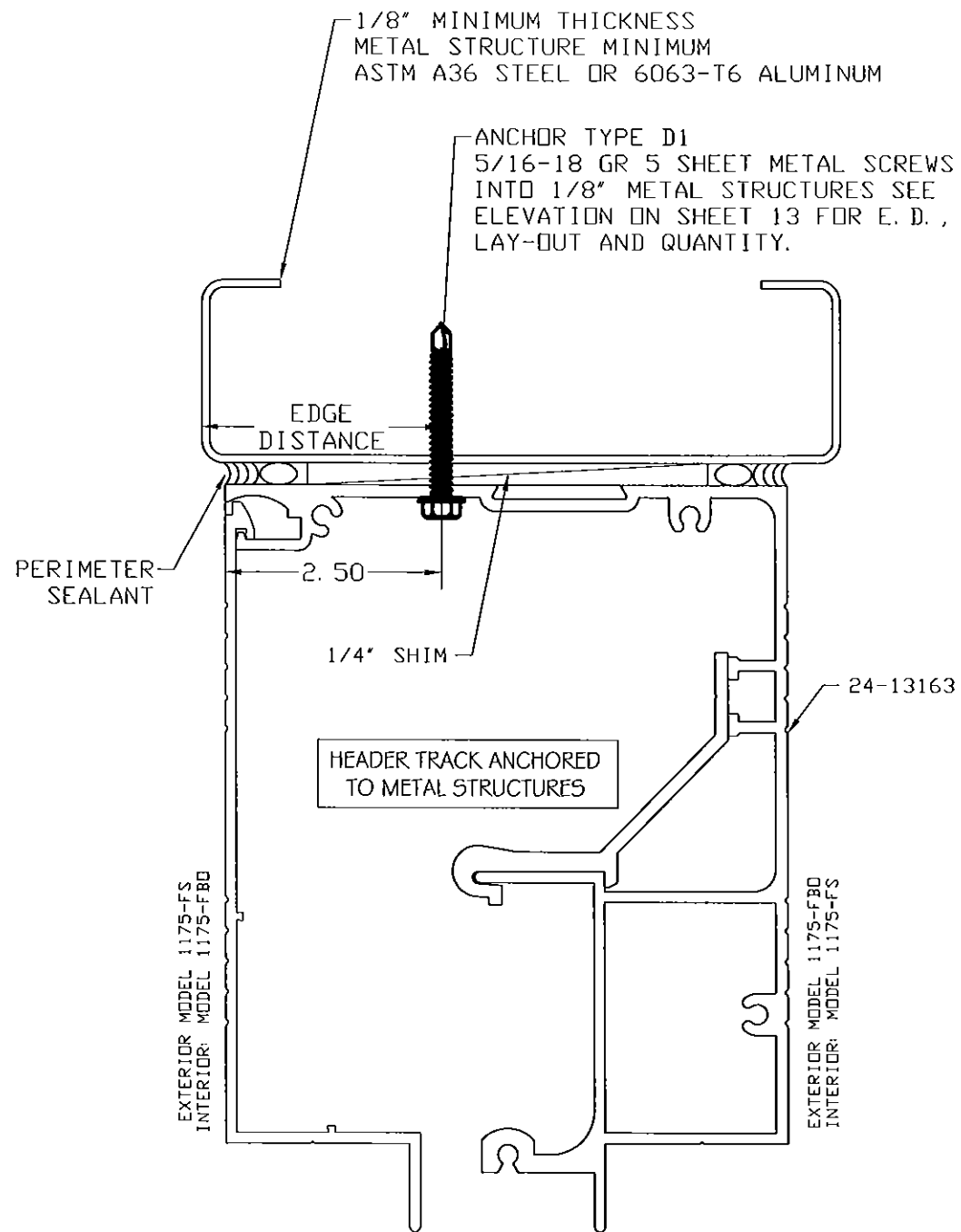
EXTERIOR MODEL 1175-FS  
INTERIOR: MODEL 1175-FBD

EXTERIOR MODEL 1175-FBD  
INTERIOR: MODEL 1175-FS

EXTERIOR MODEL 1175-FS  
INTERIOR: MODEL 1175-FBD

EXTERIOR MODEL 1175-FBD  
INTERIOR: MODEL 1175-FS

HEADER & SILL FRAMING ANCHORAGE DETAILS



MANUFACTURER:



NABCO ENTRANCES INC

S82 W18717 GEMINI DRIVE  
MUSKEGO, WISCONSIN 53150  
PHONE: (877) 622-2694  
FAX: (262) 679-2505

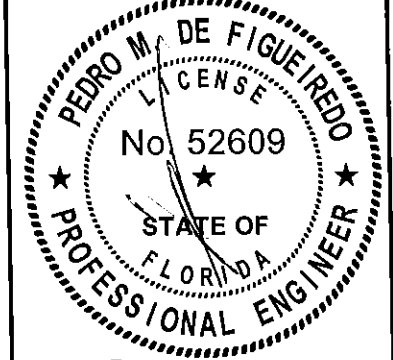
PRODUCT:

SYSTEM GT1175  
LARGE & SMALL MISSILE  
IMPACT RATED  
AUTOMATIC SLIDING GLASS DOOR

ENGINEERING:

ENGCO INC. CA 8116

5595 ORANGE DR. 201  
DAVIE, FL. 33314  
Tel.: (954) 585-0304  
WWW.ENGCOINC.COM



JUL 22 2015 Engineer Seal  
Pedro De Figueiredo - PE 52609

MIAMI-DADE BCCO:

PRODUCT REVISED  
as complying with the Florida  
Building Code  
Acceptance No. 15-0323-05  
Expiration Date 12/26/18  
By *Sheryl L. ...*  
Miami Dade Product Control

DATE: 02/19/2015  
SCALE: NA  
DESIGN BY: PPMF

SHEET 12 OF 21 DRAWING #: 15-048



TABLE 3 - FRAMING SILL TRACK ANCHORAGE CAPACITY IN PSF  
FUNCTION OF ANCHOR TYPE AND NUMBER OF PAIR CLUSTERS  
AT MEETING AND INTERLOCK STILES

FH (IN)	DM (IN)	ANCHOR TYPE AND # OF PAIR / CLUSTERS	
		TYPE A OR C 3 PAIR CLUSTERS	2 PAIR CLUSTERS
92	36	105	70
	39	97	65
	42	90	60
	45	84	56
	48	79	53
96	54	70	47
	36	101	67
	39	93	62
	42	87	58
	45	81	54
100	48	76	51
	52	70	47
	36	97	65
	39	90	60
	42	83	55
104	45	78	52
	48	73	48
	49	70	47
	36	93	62
	39	86	57
104	42	80	53
	45	75	50
	48	70	47

### FRAMING ANCHORAGE SELECTION

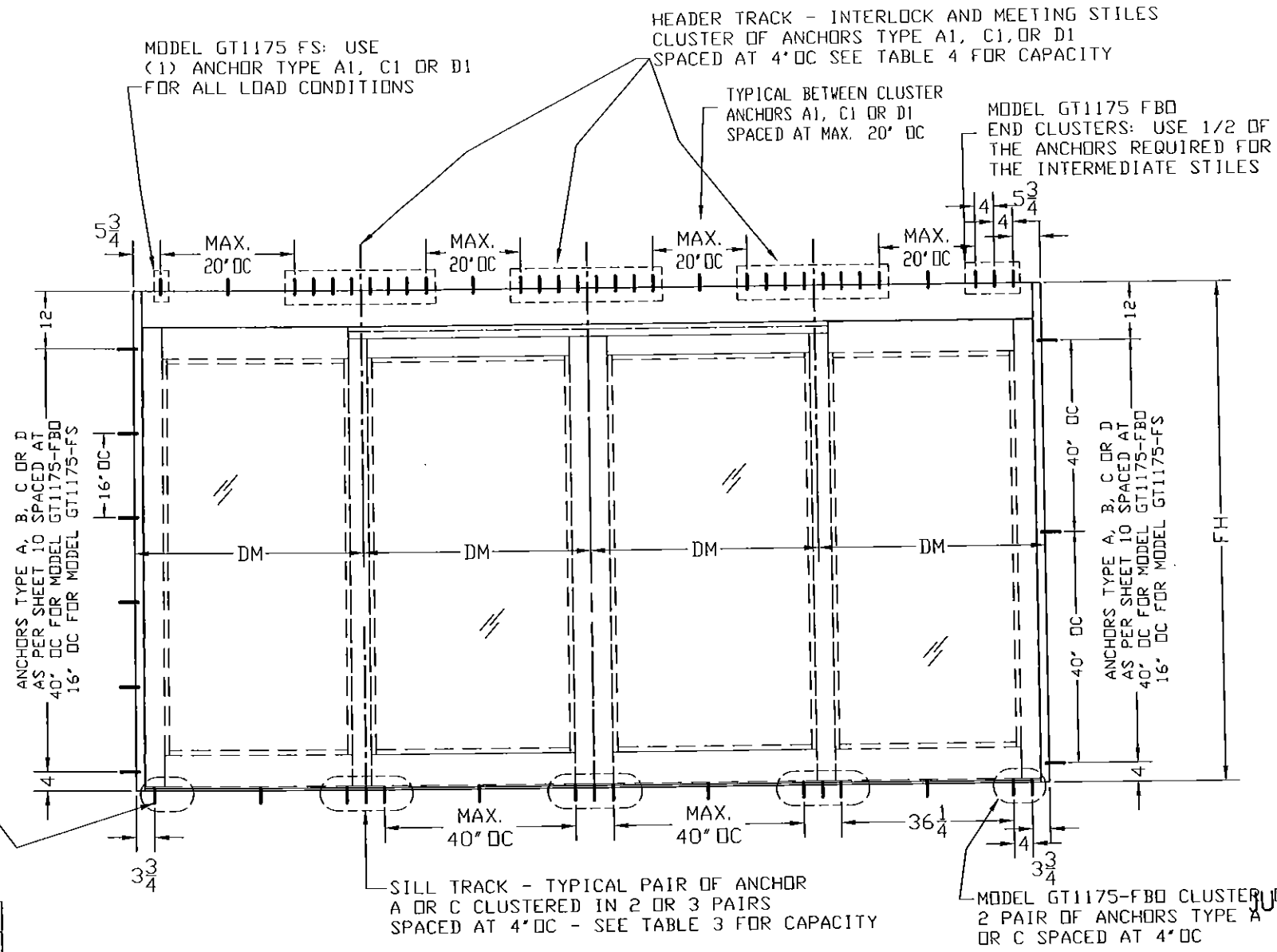
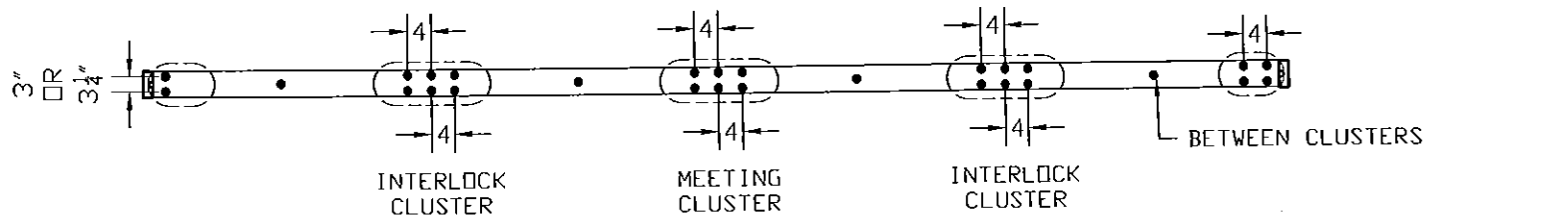


TABLE 4 - FRAMING HEADER TRACK ANCHORAGE CAPACITY IN PSF  
FUNCTION OF ANCHOR TYPE AND NUMBER OF CLUSTERS  
AT MEETING AND INTERLOCK STILES

FH IN	DM IN	ANCHOR TYPE AND # OF SINGLE ROW/CLUSTERS												TYPE CLUSTERS
		A1				C1				D1				
92	36	105	105	79	53	105	96	72	48	105	90	68	45	
	39	97	97	73	49	97	89	67	44	97	83	63	42	
	42	90	90	68	45	90	82	62	41	90	77	58	39	
	45	84	84	63	42	84	77	58	38	84	72	54	36	
	48	79	79	59	40	79	72	54	36	79	68	51	34	
96	54	70	70	53	35	70	64	48	32	70	60	45	30	
	36	101	101	76	51	101	92	69	46	101	87	65	43	
	39	93	93	70	47	93	85	64	42	93	80	60	40	
	42	87	87	65	43	87	79	59	39	87	74	56	37	
	45	81	81	61	41	81	74	55	37	81	69	52	35	
100	48	76	76	57	38	76	69	52	35	76	65	49	32	
	52	70	70	53	35	70	64	48	32	70	60	45	30	
	36	97	97	73	49	97	88	66	44	97	83	62	42	
	39	90	90	67	45	90	82	61	41	90	77	58	38	
	42	83	83	63	42	83	76	57	38	83	71	53	36	
104	45	78	78	58	39	78	71	53	35	78	67	50	33	
	48	73	73	55	36	73	66	50	33	73	62	47	31	
	49	70	70	53	35	70	64	48	32	70	60	45	30	
	36	93	93	70	47	93	85	64	42	93	80	60	40	
	39	86	86	65	43	86	78	59	39	86	74	55	37	
104	42	80	80	60	40	80	73	55	36	80	69	51	34	
	45	75	75	56	37	75	68	51	34	75	64	48	32	
	48	70	70	53	35	70	64	48	32	70	60	45	30	



ANCHOR TYPES:	MINIMUM EDGE DISTANCE
A- 1/4" TAPCON BY ITW WITH 1 3/4" MIN. EMBEDMENT INTO 3000 PSI CONCRETE	2 1/2"
A1- 5/16" TAPCON BY ITW WITH 1 3/4" MIN. EMBEDMENT INTO 3000 PSI CONCRETE	2 3/16"
B- 1/4" TAPCON BY ITW WITH 1 1/4" MIN. EMBEDMENT INTO HOLLOW BLOCK	2 1/2"
C- 1/4" TAPCON BY ITW WITH 1 1/2" MIN. EMBEDMENT INTO PT WOOD (SG=0.55)	1"
C1- 5/16" TAPCON (Fy=115 Ksi) BY ITW WITH 1 1/2" MIN. EMBEDMENT INTO PT WOOD (SG=0.55)	1 1/4"
D- 1/4-14 GR 5 SHEET METAL SCREWS INTO 1/8" METAL STRUCTURES	1/2"
D1- 5/16-18 GR 5 SHEET METAL SCREWS INTO 1/8" METAL STRUCTURES	1"

NOTES:  
 1- MINIMUM EMBEDMENT ARE BEYOND WALL DRESSING  
 2- TAPCONS WITH FLAT, HEX AND/OR PAN HEADS CAN BE USED  
 3- METAL STRUCTURES ARE ASTM A36 STEEL OR 6063-T6 ALUMINUM  
 4- ANCHOR TYPE D MUST HAVE A MINIMUM 3 THREADS EMBEDMENT  
 5- HEADER & JAMB ANCHORS ARE INSTALLED INTO A SINGLE ROW  
 6- SILL ANCHORS ARE DISTRIBUTED INTO TWO IN LINE ROWS

MANUFACTURER:  
  
**NABCO ENTRANCES INC**  
 S82 W18717 GEMINI DRIVE  
 MUSKEGO, WISCONSIN 53150  
 PHONE: (877) 622-2694  
 FAX: (262) 679-2505

PRODUCT:  
**SYSTEM GT1175**  
 LARGE & SMALL MISSILE  
 IMPACT RATED  
 AUTOMATIC SLIDING GLASS DOOR

ENGINEERING:  
**ENGCO INC.** CA 8116  
 5595 ORANGE DR. 201  
 DAVIE, FL. 33314  
 Tel.: (954) 585-0304  
 WWW.ENGCOINC.COM

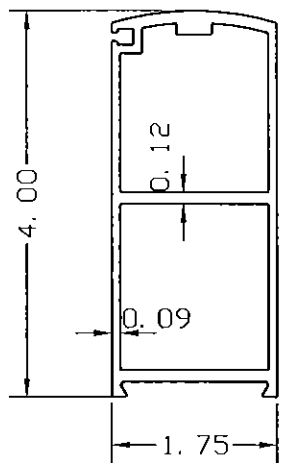
JUL 22 2015  
 Engineer Seal  
 Pedro De Figueiredo - PE 52609

MIAMI-DADE BCCO:  
**PRODUCT REVISED**  
 as complying with the Florida  
 Building Code  
 Acceptance No. 15-0323-05  
 Expiration Date 12/26/18  
 By: *[Signature]*  
 Mr. and Mrs. Product Control

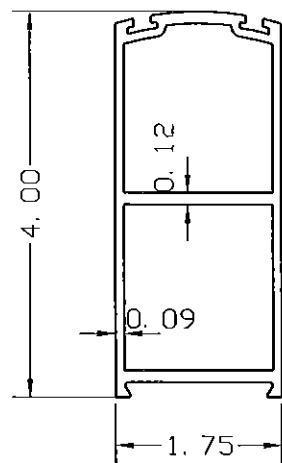
DATE: 02/19/2015  
 SCALE: NA  
 DESIGN BY: PPMF

SHEET 13 OF 21  
 DRAWING #: 15-048

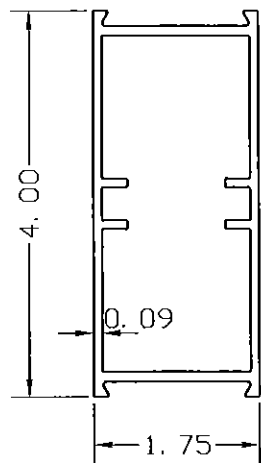
DOOR COMPONENTS



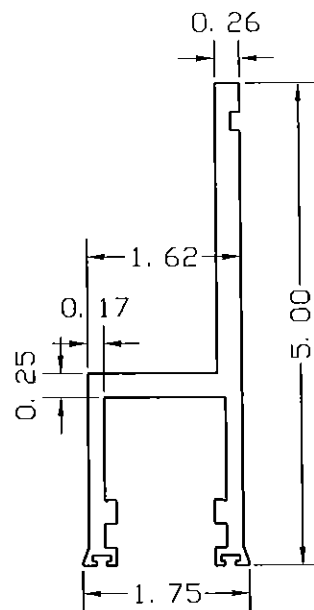
14-13288  
4" PIVOT STILE  
ALLOY: 6063-T5



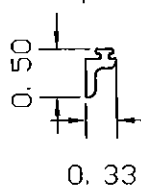
14-13289  
4" STILE  
ALLOY: 6063-T5



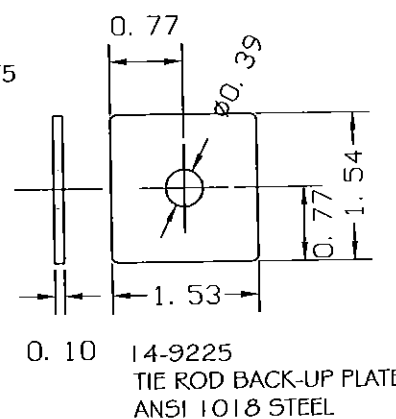
24-0328  
4" FIXED VERTICAL  
STILE AND MUNTIN  
ALLOY: 6063-T5



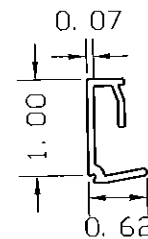
14-9014  
DOOR CARRIER  
ALLOY: 6063-T5



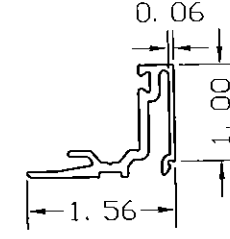
14-9015  
INTERFACE LEG  
ALLOY: 6063-T5



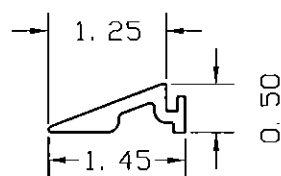
14-9225  
TIE ROD BACK-UP PLATE  
ANSI 1018 STEEL



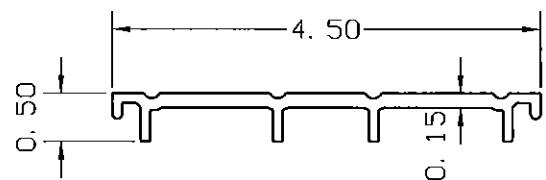
24-13292  
GLASS STOP  
ALLOY: 6063-T5



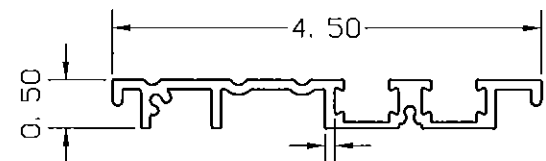
24-13291  
GLASS STOP BASE  
ALLOY 6063-T5



14-9017  
THRESHOLD RAMP  
ALLOY: 6063-T5



14-13294 - THRESHOLD  
GT1175 - F5 & FBO THRESHOLD  
ALLOY: 6063-T5

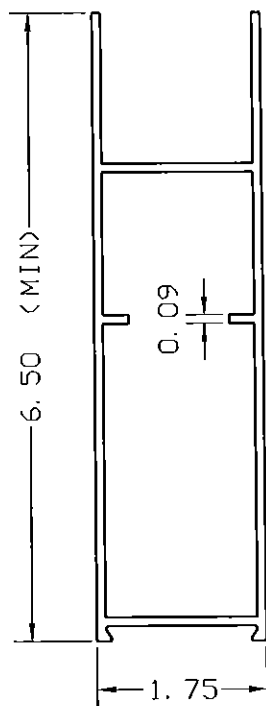


14-9016 - THRESHOLD  
GT1175 - FBO  
ALLOY: 6063-T5

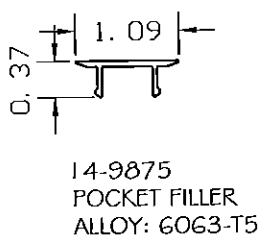
THRESHOLD 14-13294 INSTALLED FROM JAMB TO JAMB  
ON GT1175-F5 (0 5X-5X 0 AND 0 5X) APPLICATIONS

THRESHOLD 14-13294 INSTALLED ONLY IN THE DOOR OPENING (5X)  
ON GT1175-FBO (50 5X-5X 50 AND 50 5X) APPLICATIONS

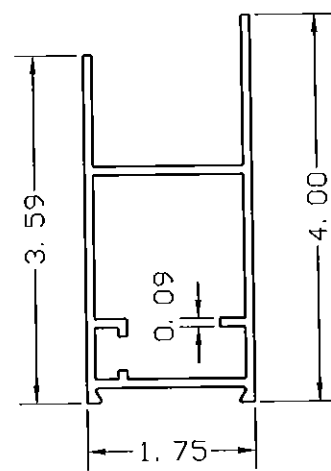
THRESHOLD 14-9016 INSTALLED ONLY UNDER THE DOOR FIXED PANELS (50)  
ON GT1175-FBO (50 5X-5X 50 AND 50 5X) APPLICATIONS



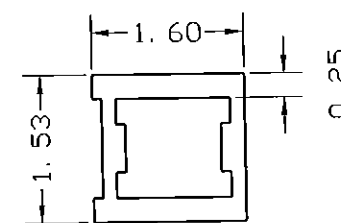
14-9088  
SIDELITE TOP & BOTTOM RAIL  
DOOR BOTTOM RAIL  
ALLOY: 6063-T5



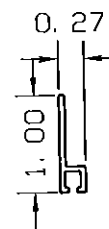
14-9875  
POCKET FILLER  
ALLOY: 6063-T5



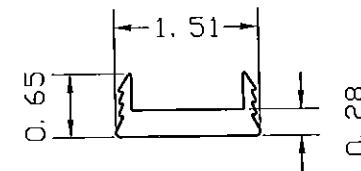
14-9359  
DOOR TOP RAIL  
ALLOY: 6063-T5



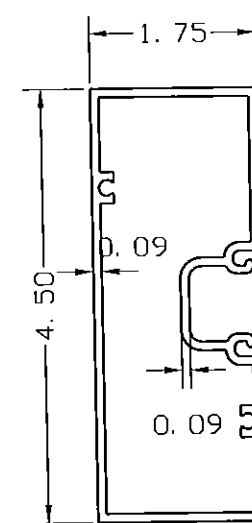
14-13950  
ALUMINUM STIFFENER  
ALLOY 6063-T5



14-5636  
BRUSH HOLDER  
ALLOY 6063-T5



24-2967  
RAIL CLIP  
ALLOY 6063-T5



24-9870 - JAMB  
ALLOY 6063-T5

MANUFACTURER:



NABCO ENTRANCES INC

S82 W18717 GEMINI DRIVE  
MUSKEGO, WISCONSIN 53150  
PHONE: (877) 622-2694  
FAX: (262) 679-2505

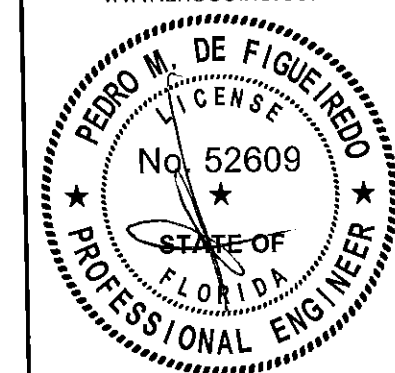
PRODUCT:

SYSTEM GT1175  
LARGE & SMALL MISSILE  
IMPACT RATED  
AUTOMATIC SLIDING GLASS DOOR

ENGINEERING:

ENGCO INC. CA 8116

5595 ORANGE DR. 201  
DAVIE, FL. 33314  
Tel.: (954) 585-0304  
WWW.ENGCOINC.COM



JUL 29 2015

Engineer Seal  
Pedro De Figueiredo - PE 52609

MIAMI-DADE BCCO:

PRODUCT REVISED  
as complying with the Florida  
Building Code  
Acceptance No. 15-0323.03  
Expiration Date 12/26/18  
By *[Signature]*  
Miami Door Product Control

DATE: 02/19/2015  
SCALE: NA  
DESIGN BY: PPMF

SHEET  
14 OF 21

DRAWING #:  
15-048

MANUFACTURER:



NABCO ENTRANCES INC

S82 W18717 GEMINI DRIVE  
MUSKEGO, WISCONSIN 53150  
PHONE: (877) 622-2694  
FAX: (262) 679-2505

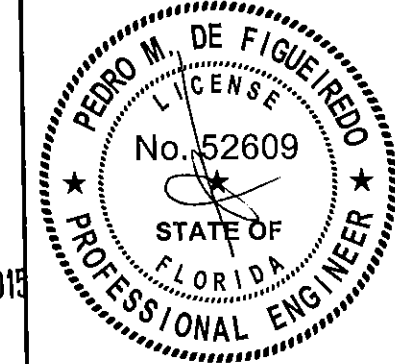
PRODUCT:

SYSTEM GT1175  
LARGE & SMALL IMPACT  
IMPACT RATED  
AUTOMATIC SLIDING GLASS DOOR

ENGINEERING:

ENGCO INC. CA 8116

5595 ORANGE DR. 201  
DAVIE, FL. 33314  
Tel.: (954) 585-0304  
WWW.ENGCOINC.COM



Engineer Seal  
Pedro De Figueiredo - PE 52609

JUL 22 2015

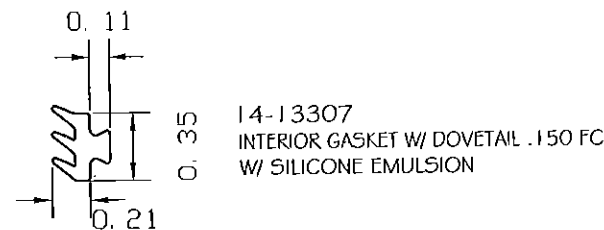
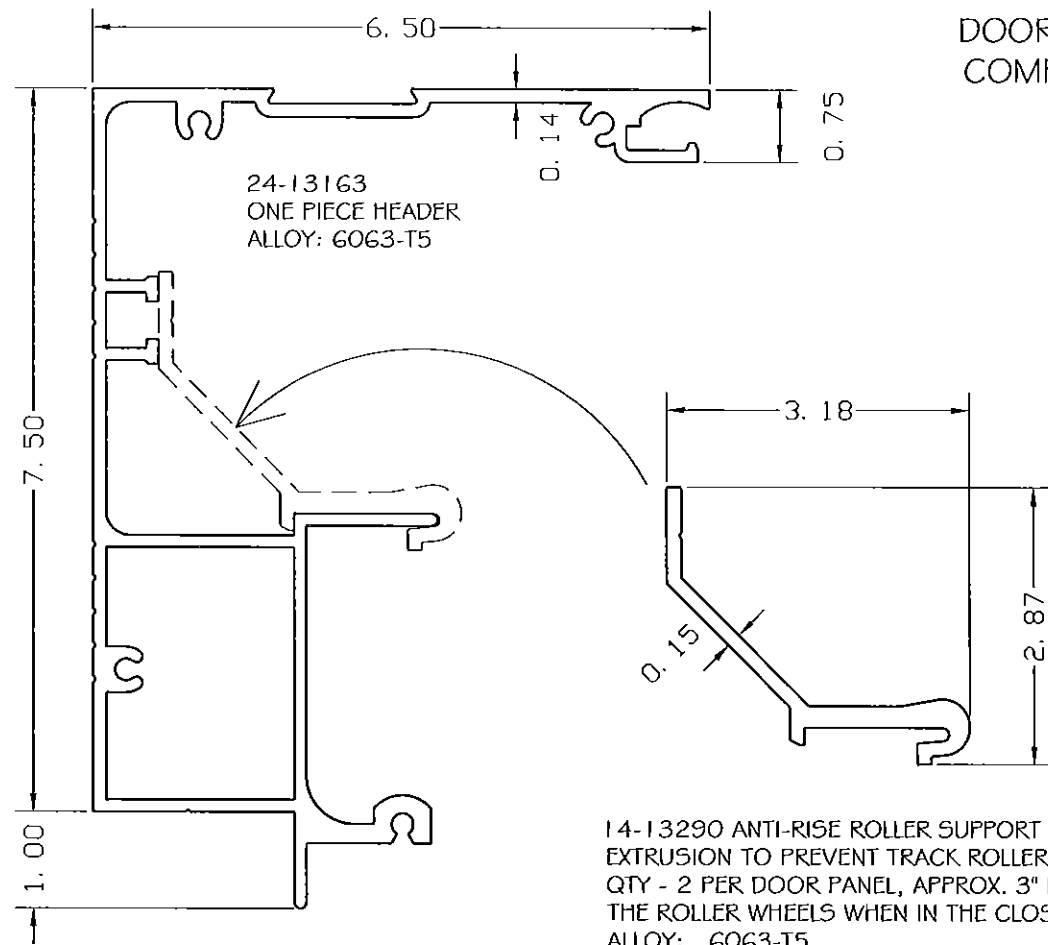
MIAMI-DADE BCCO:

PRODUCT REVISED  
as complying with the Florida  
Building Code  
Acceptance No. 15-0323.05  
Expiration Date 12/24/18  
By *[Signature]*  
Miami Dade Product Control

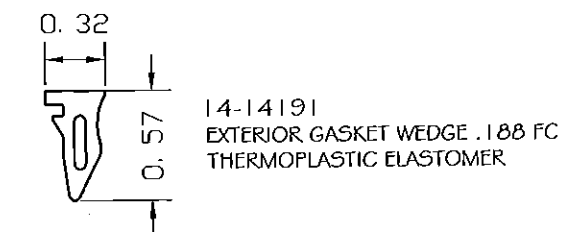
DATE: 02/19/2015  
SCALE: NA  
DESIGN BY: PPMF

SHEET 15 OF 21  
DRAWING #: 15-048

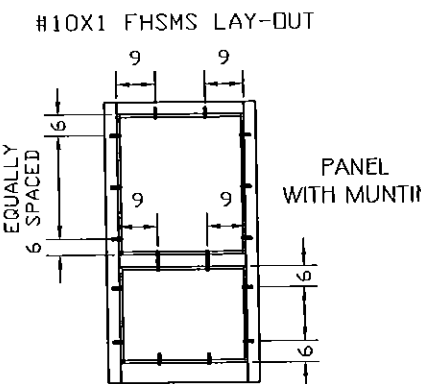
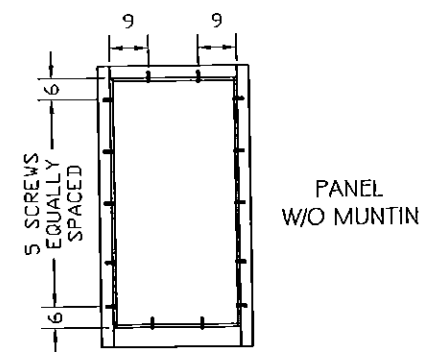
DOOR HEADER COMPONENTS



EPDM GLAZING  
MANUFACTURER: TRELLEBORG  
HARDNESS: 70 SHORE A  
TENSILE STRENGTH: 1410 PSI  
TEAR STRENGTH: 126 lb/in  
ELONGATION (BREAK) 266%

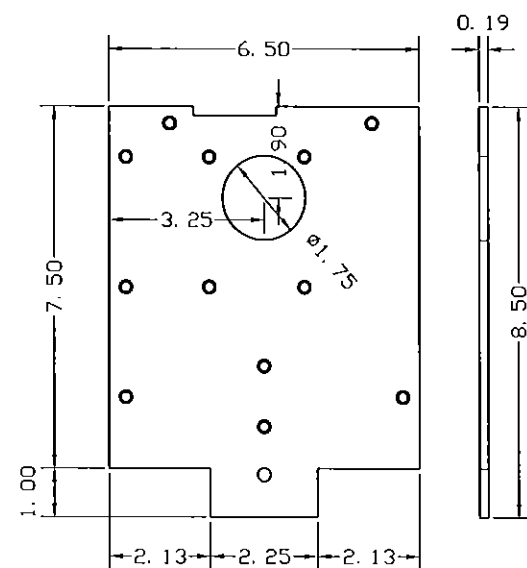


THERMOPLASTIC ELASTOMER GLAZING (W514)  
MANUFACTURER: REED RUBBER PRODUCTS  
HARDNESS: 66 SHORE A  
TENSILE STRENGTH: 798 PSI  
TEAR STRENGTH: 166 lb/in  
ELONGATION (BREAK): 320%  
SPECIFIC GRAVITY: .97



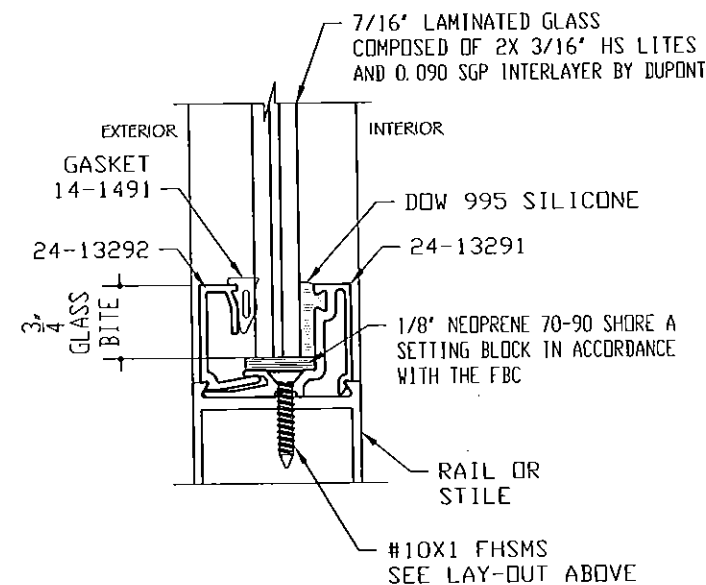
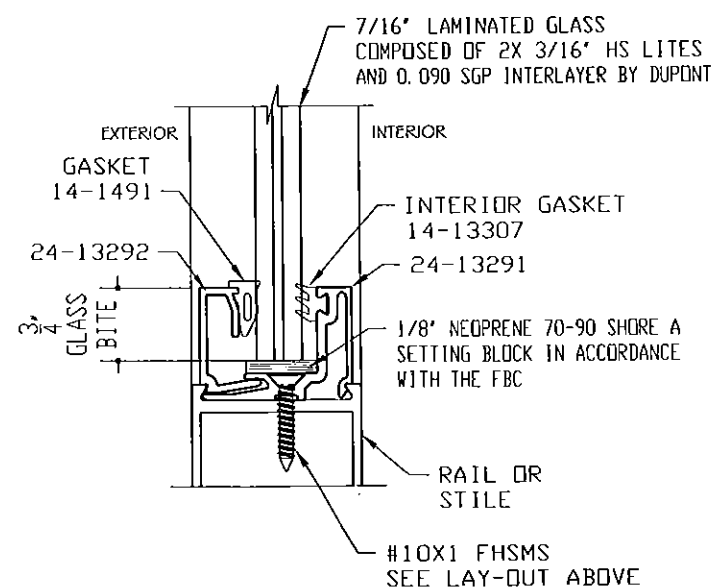
DRY GLAZING DETAIL  
ENTIRE PERIMETER ALL LITES  
LARGE & SMALL IMPACT

WET GLAZING DETAIL  
ENTIRE PERIMETER ALL LITES  
LARGE & SMALL IMPACT



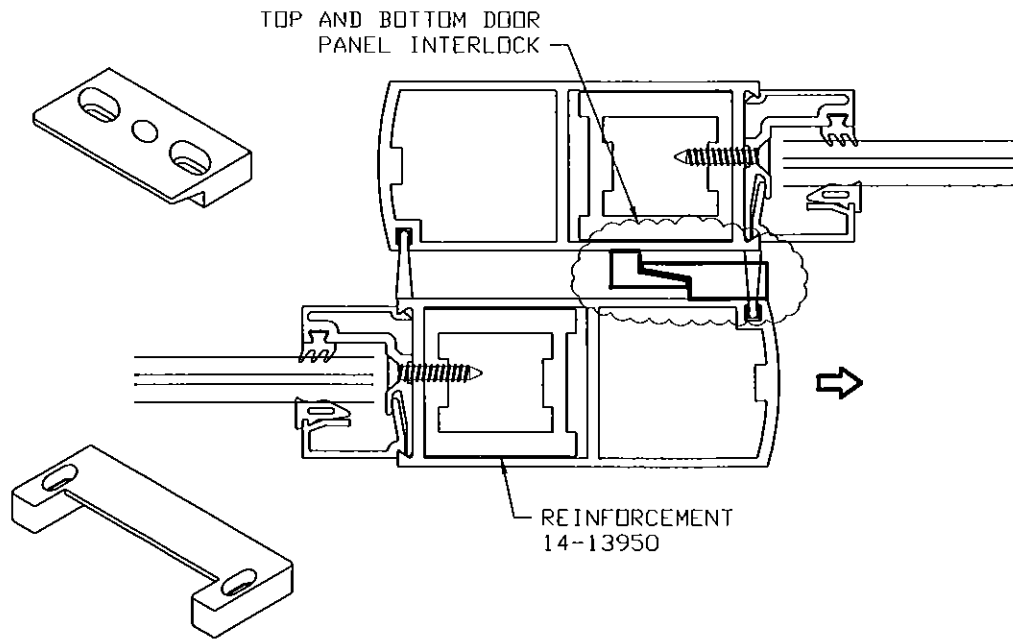
24-13282  
ALUMINUM END CAPS  
ALLOY 5052-H32

24-9011  
HEADER COVER  
ALLOY: AA-6063-T5

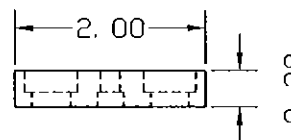
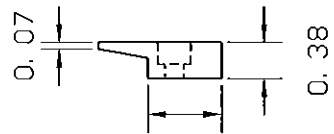
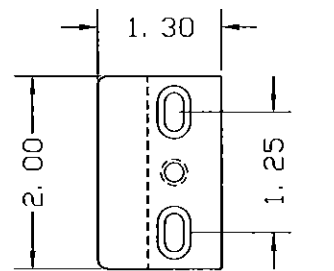


FBO  
PANEL CORNER CONSTRUCTION DETAILS

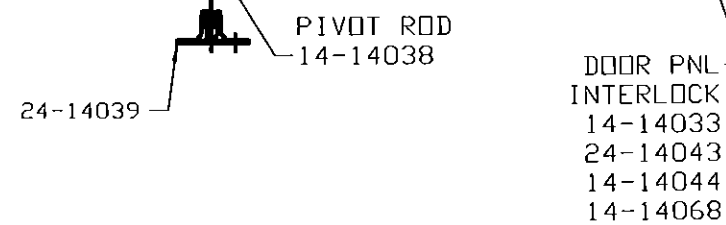
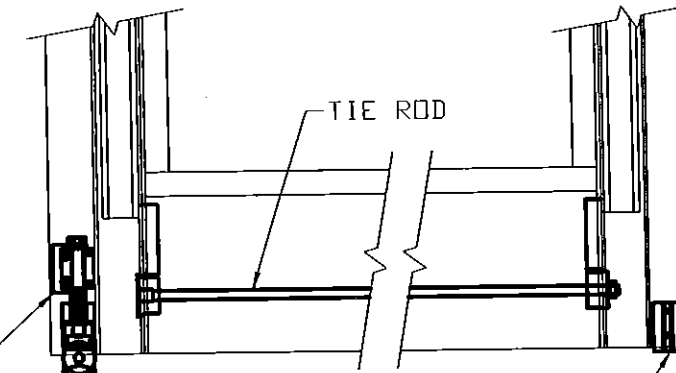
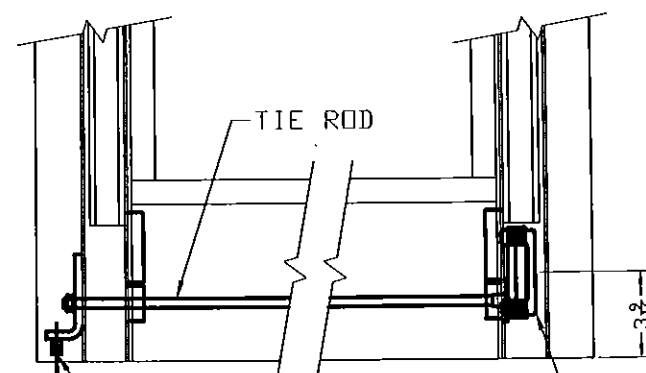
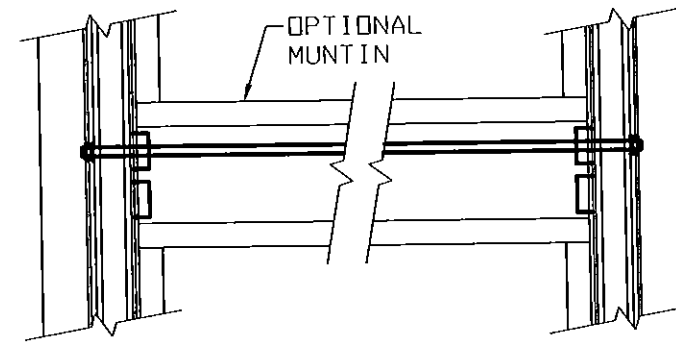
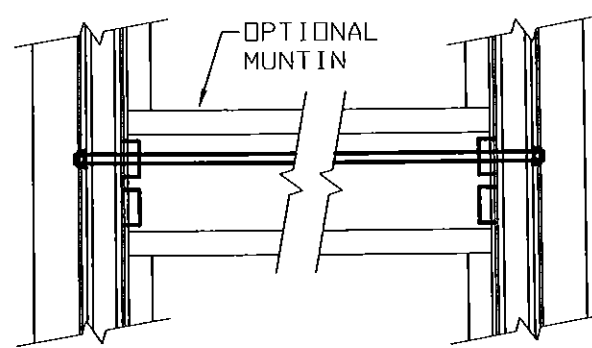
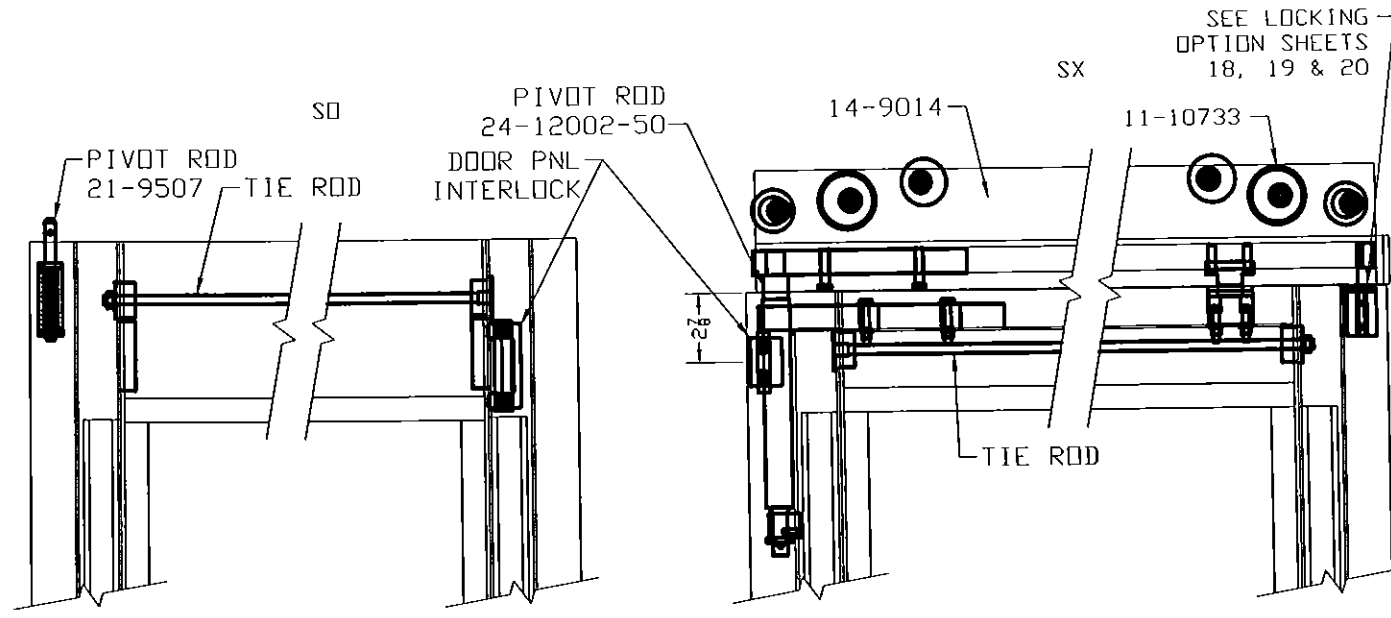
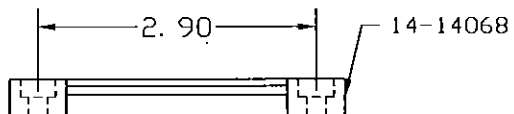
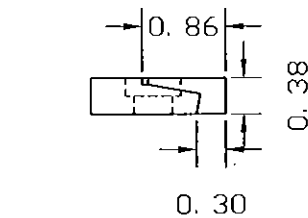
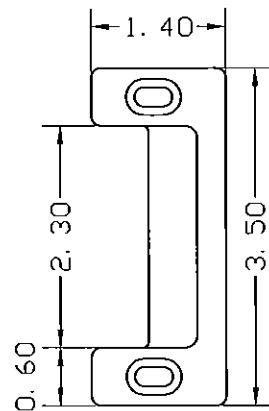
DOOR PANEL INTERLOCK  
APPLICABLE FOR 1175- FBO ONLY



DOOR PANEL INTERLOCK (MALE)  
14-14044



DOOR PANEL INTERLOCK (FEMALE)  
24-14043



SEE LOCKING  
OPTION SHEETS  
18, 19 & 20

SEE LOCKING  
OPTION SHEETS  
18, 19 & 20

MANUFACTURER:



NABCO ENTRANCES INC

S82 W18717 GEMINI DRIVE  
MUSKEGO, WISCONSIN 53150  
PHONE: (877) 622-2694  
FAX: (262) 679-2505

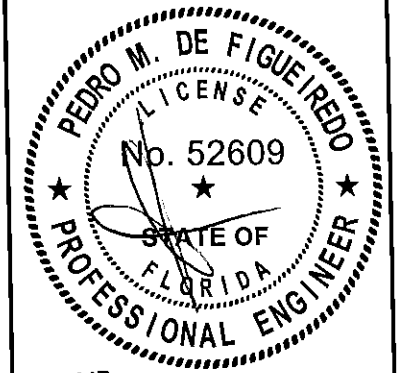
PRODUCT:

SYSTEM GT1175  
LARGE & SMALL MISSILE  
IMPACT RATED  
AUTOMATIC SLIDING GLASS DOOR

ENGINEERING:

ENGCO INC. CA8116

5595 ORANGE DR. 201  
DAVIE, FL. 33314  
Tel.: (954) 585-0304  
WWW.ENGCOINC.COM



JUL 22 2015 Engineer Seal  
Pedro De Figueiredo - PE 52609

MIAMI-DADE BCCO:

PRODUCT REVISED  
as complying with the Florida  
Building Code  
Acceptance No. 15-032305  
Expiration Date 12/26/18  
By *Sheng Li*  
Miami Door Product Control

DATE: 02/19/2015  
SCALE: NA  
DESIGN BY: PPMF

SHEET  
16 OF 21

DRAWING #:  
15-048

MANUFACTURER:



NABCO ENTRANCES INC

S82 W18717 GEMINI DRIVE  
MUSKEGO, WISCONSIN 53150  
PHONE: (877) 622-2694  
FAX: (262) 679-2505

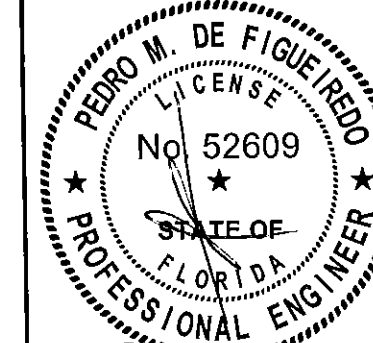
PRODUCT:

SYSTEM GT1175  
LARGE & SMALL MISSILE  
IMPACT RATED  
AUTOMATIC SLIDING GLASS DOOR

ENGINEERING:

ENGCO INC. CA 8116

5595 ORANGE DR. 201  
DAVIE, FL. 33314  
Tel.: (954) 585-0304  
WWW.ENGCOINC.COM



JUL 22 2015

Engineer Seal  
Pedro De Figueiredo - PE 52609

MIAMI-DADE BCCO:

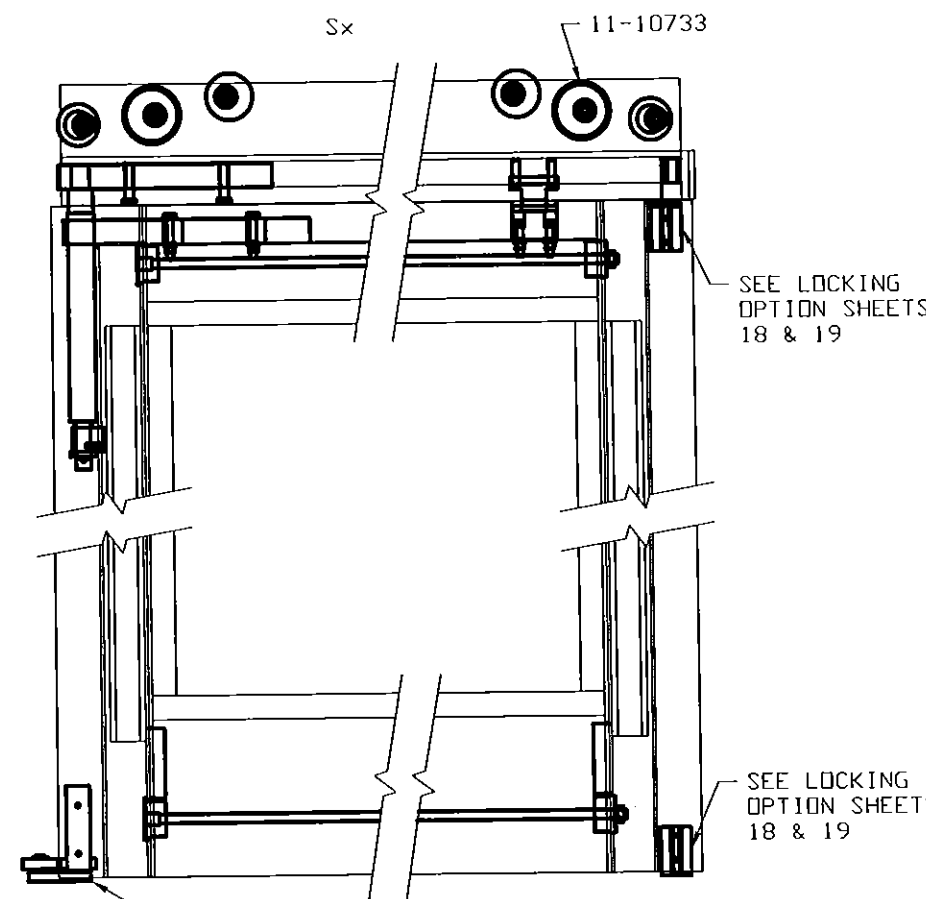
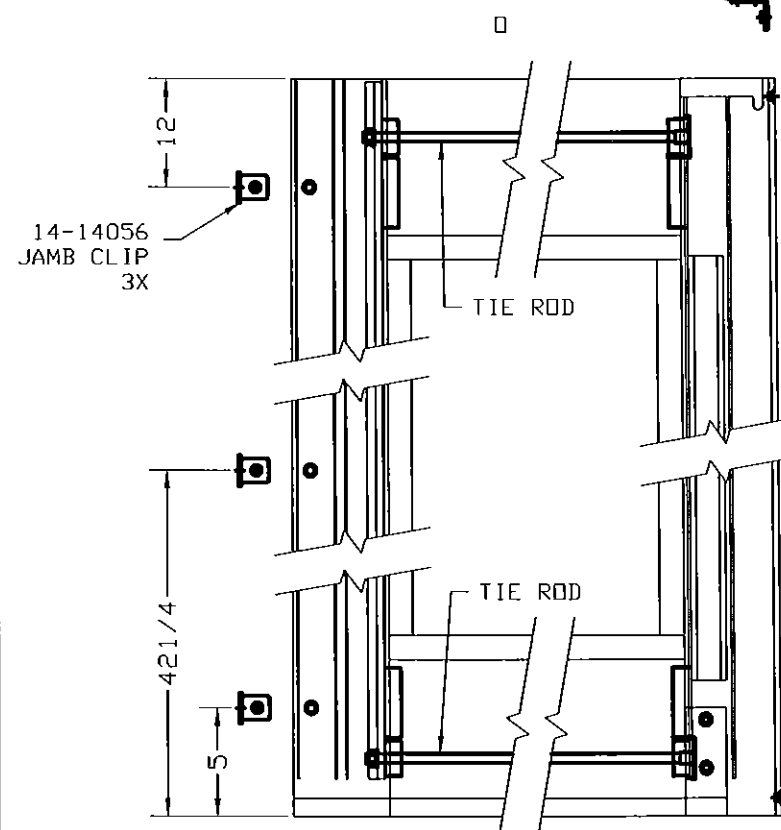
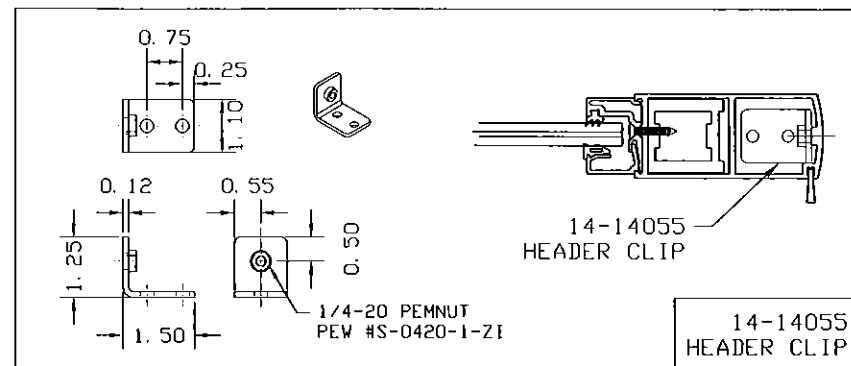
PRODUCT REVISED  
as complying with the Florida  
Building Code  
Acceptance No. 15-0223.05  
Expiration Date 12/26/18  
By: [Signature]  
Miami Product Control

DATE: 02/19/2015  
SCALE: NA  
DESIGN BY: PPMF

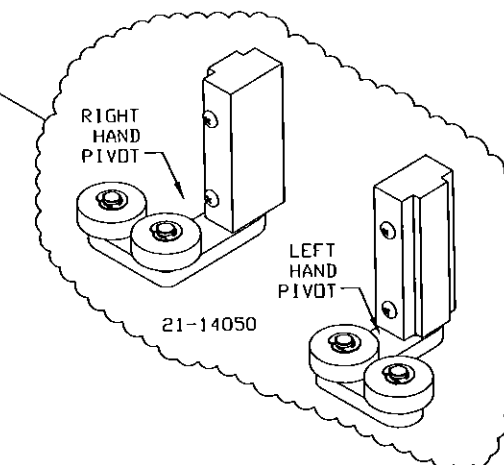
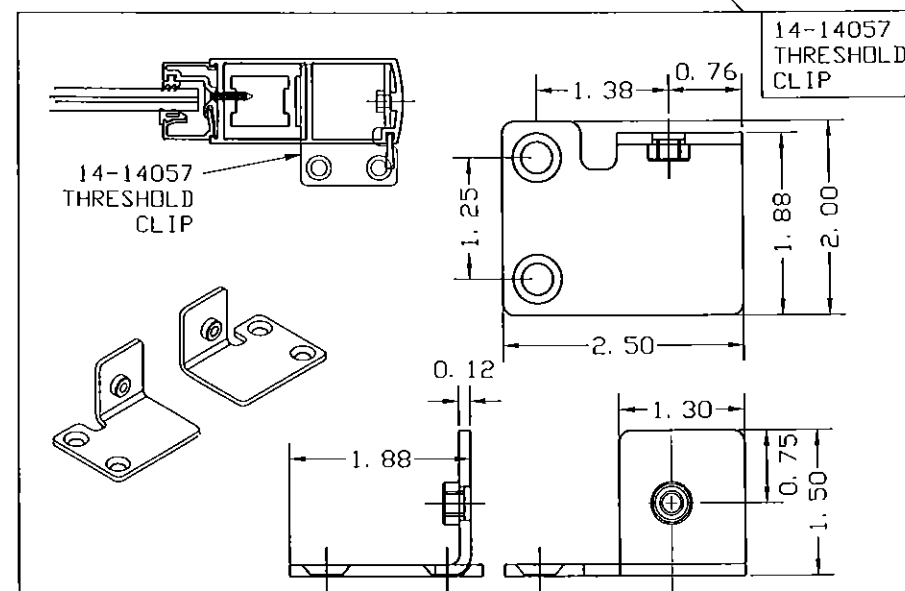
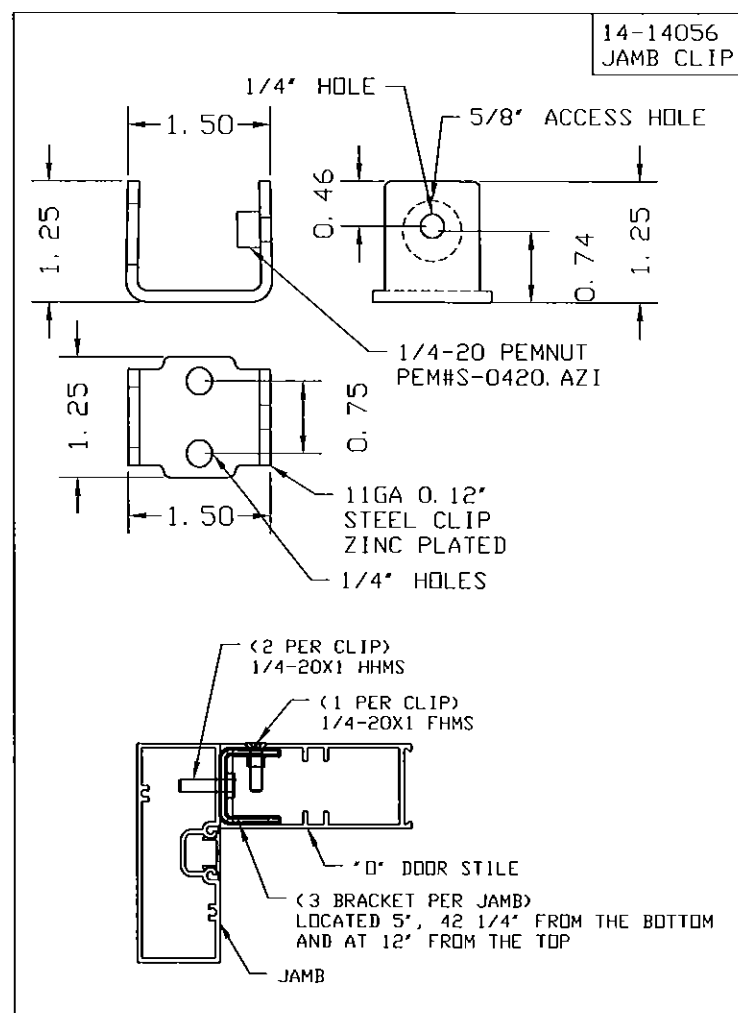
SHEET  
16.1 OF 21

DRAWING #:  
15-048

### FS PANEL CORNER CONSTRUCTION DETAILS

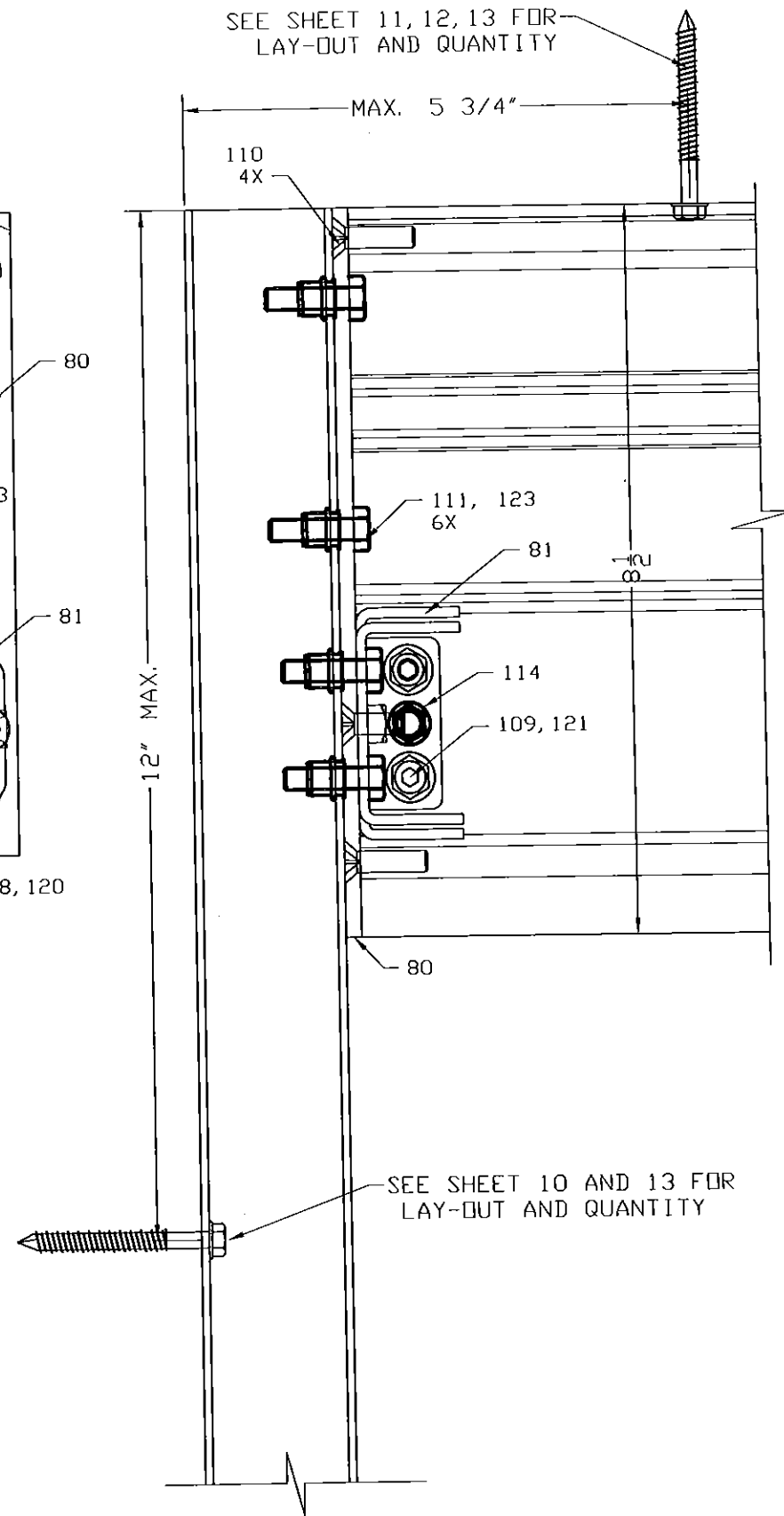
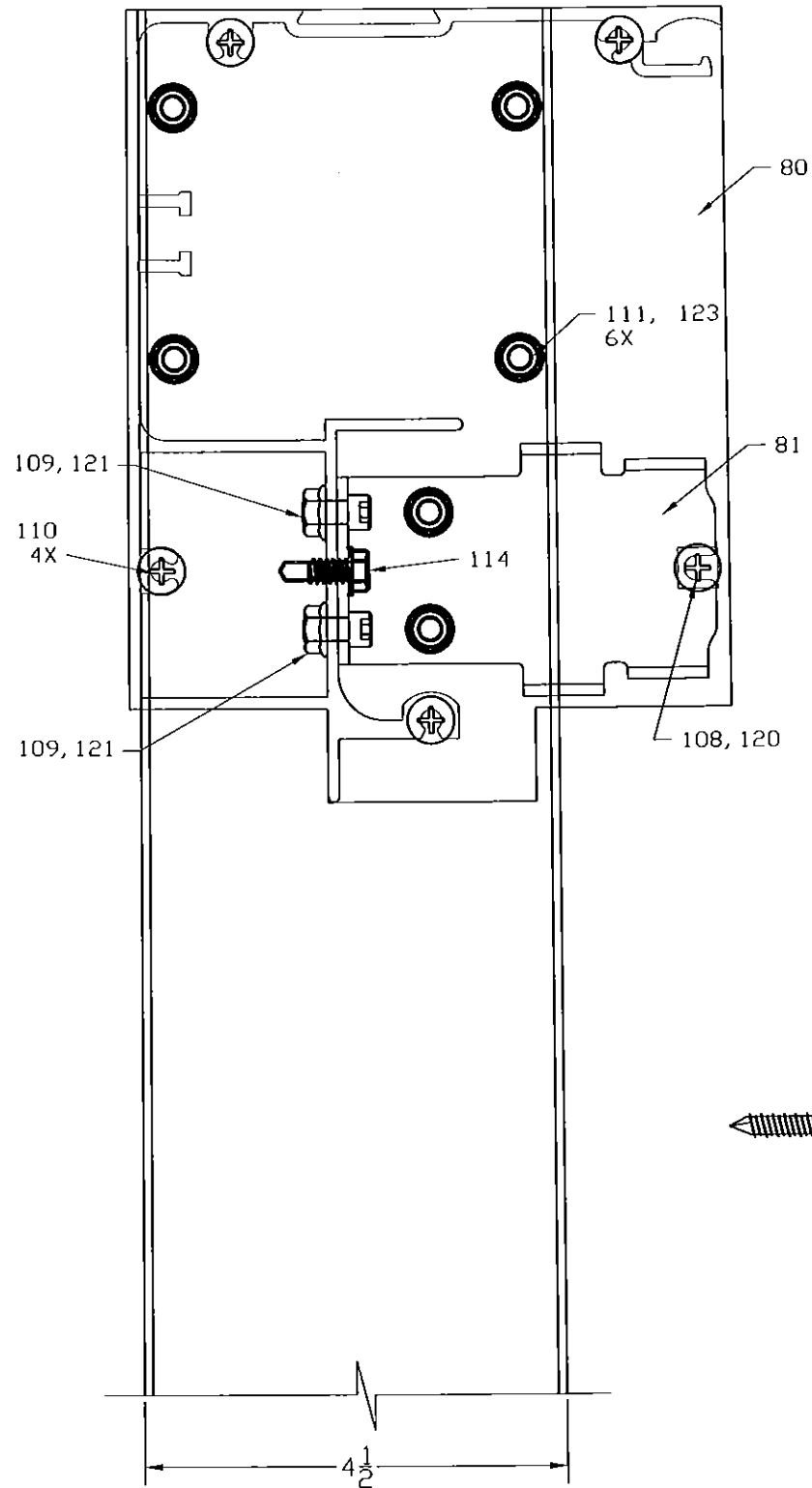
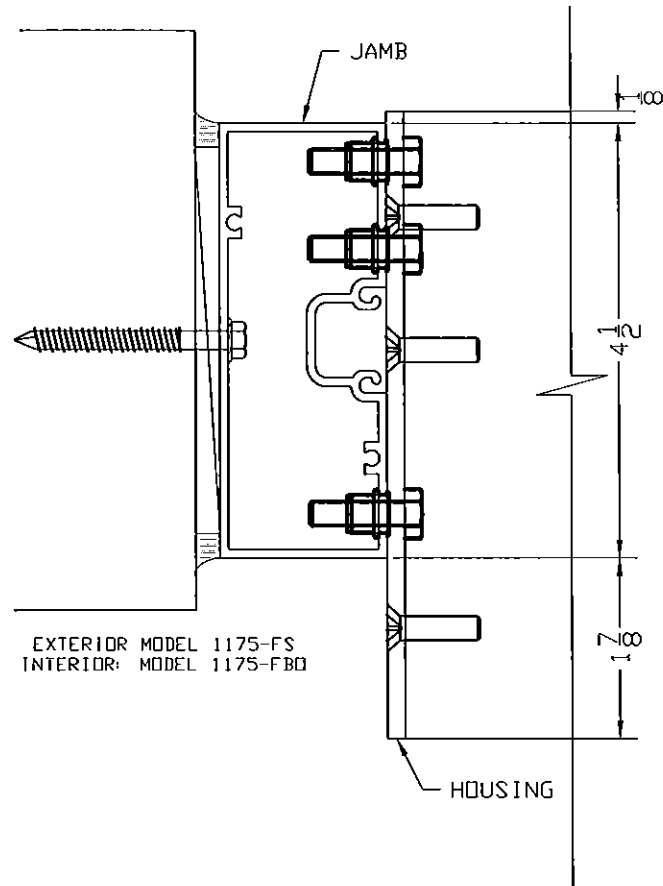


FIXED PANEL ATTACHMENT TO JAMB  
APPLICABLE FOR 1175- FS ONLY



# HOUSING HEADER AND JAMB CONNECTION

SEE SHEET 10 & 13 FOR JAMB ANCHORING DETAILS



SEE SHEET 11, 12, 13 FOR LAY-OUT AND QUANTITY

MAX. 5 3/4"

12" MAX.

SEE SHEET 10 AND 13 FOR LAY-OUT AND QUANTITY

MANUFACTURER:



NABCO ENTRANCES INC

S82 W18717 GEMINI DRIVE  
MUSKEGO, WISCONSIN 53150  
PHONE: (877) 622-2694  
FAX: (262) 679-2505

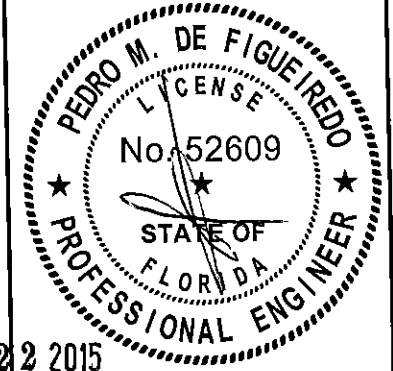
PRODUCT:

SYSTEM GT1175  
LARGE & SMALL MISSILE  
IMPACT RATED  
AUTOMATIC SLIDING GLASS DOOR

ENGINEERING:

ENGCO INC. CA 8116

5595 ORANGE DR. 201  
DAVIE, FL. 33314  
Tel.: (954) 585-0304  
WWW.ENGCOINC.COM



JUL 22 2015

Engineer Seal  
Pedro De Figueiredo - PE 52609

MIAMI-DADE BCCO:

PRODUCT REVISED  
as complying with the Florida  
Building Code  
Acceptance No. 15-0323-05  
Expiration Date 12/26/18  
By: *Sheng J. Chen*  
Miami-Dade Product Control

DATE: 02/19/2015  
SCALE: NA  
DESIGN BY: PPMF

SHEET  
17 OF 21

DRAWING #:  
15-048

MANUFACTURER:



NABCO ENTRANCES INC

S82 W18717 GEMINI DRIVE  
MUSKEGO, WISCONSIN 53150  
PHONE: (877) 622-2694  
FAX: (262) 679-2505

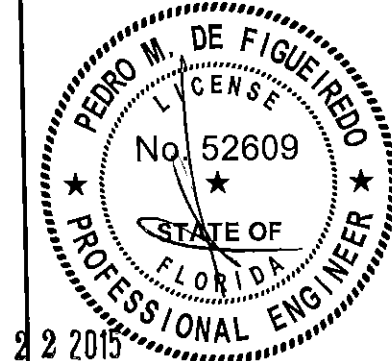
PRODUCT:

SYSTEM GT1175  
LARGE & SMALL MISSILE  
IMPACT RATED  
AUTOMATIC SLIDING GLASS DOOR

ENGINEERING:

ENGCO INC. CA 8116

5595 ORANGE DR. 201  
DAVIE, FL. 33314  
Tel.: (954) 585-0304  
WWW.ENGCOINC.COM



Engineer Seal  
Pedro De Figueiredo - PE 52609

MIAMI-DADE BCCO:

PRODUCT REVISED  
as complying with the Florida  
Building Code  
Acceptance No. 15-0323-05  
Expiration Date 12/26/18  
By *[Signature]*  
Miami Door Product Control

DATE: 02/19/2015  
SCALE: NA  
DESIGN BY: PPMF

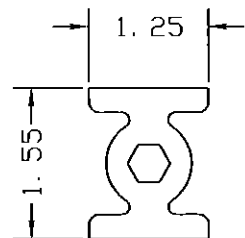
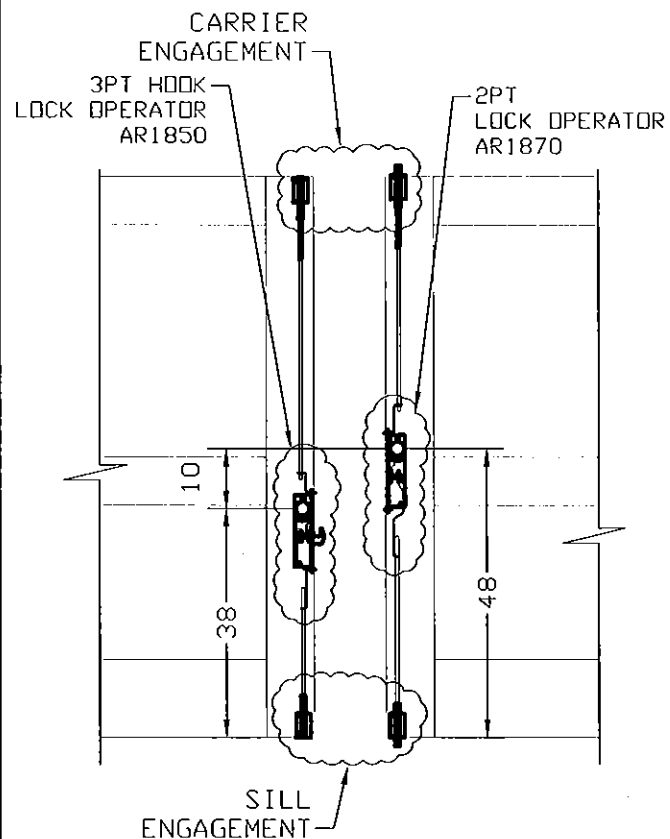
SHEET  
18 OF 21

DRAWING #:  
15-048

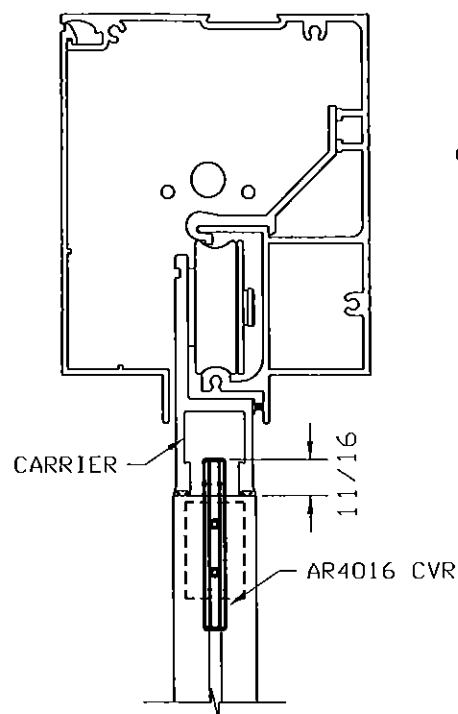
### HARDWARE LOCK OPTION 1

3 PT AR MS 1850 HOOK LOCK AND  
2 PT AR MS 1870 LOCK  
WITH TOP AND BOTTOM AR 4015 /4016 RODS (CVR)  
INTERIOR THUMBTURN OR AR 4550 HANDLE  
2 EXTERNAL KEY CYLINDERS  
2 INDICATORS (BELOW THUMBTURN)

#### TYPICAL LOCK PANEL ELEVATION

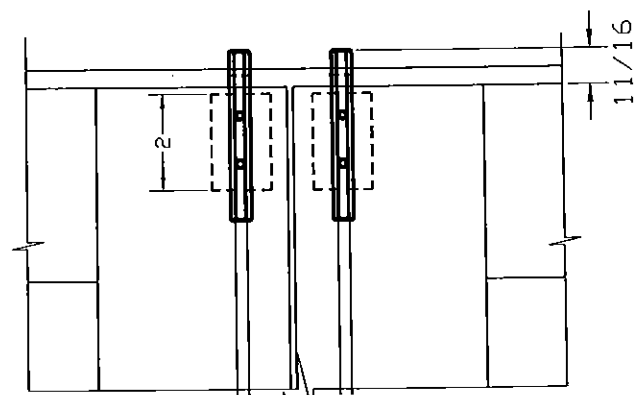
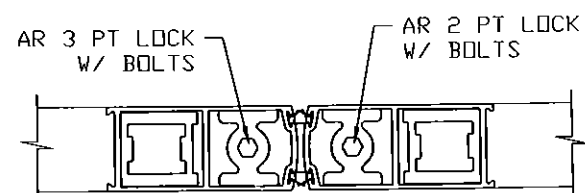


14-13855  
LOCKROD GUIDE  
ALLOY: 6063-T5

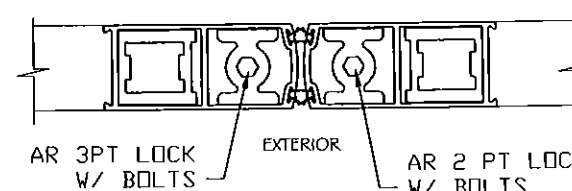
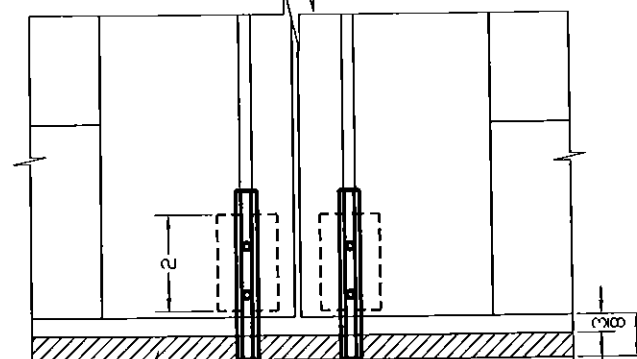


AR 4015 CVR  
SILL ENGAGEMENT

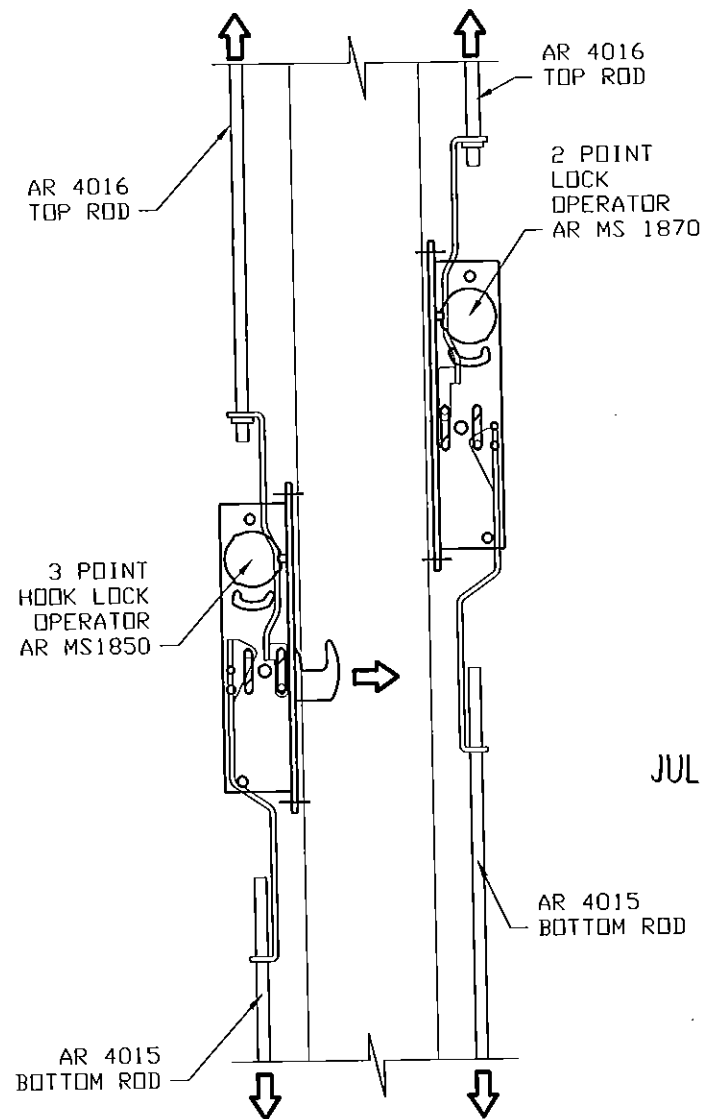
AR 4016 CVR  
CARRIER ENGAGEMENT



THRESHOLD



#### LOCK OPERATOR



AR 3 PT LOCK  
W/ BOLTS

AR 2 PT LOCK  
W/ BOLTS

MANUFACTURER:



NABCO ENTRANCES INC

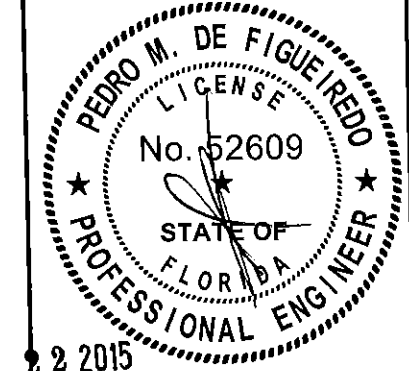
S82 W18717 GEMINI DRIVE  
MUSKEGO, WISCONSIN 53150  
PHONE: (877) 622-2694  
FAX: (262) 679-2505

PRODUCT:

SYSTEM GT1175  
LARGE & SMALL MISSILE  
IMPACT RATED  
AUTOMATIC SLIDING GLASS DOOR

ENGINEERING:

ENGCO INC. CA 8116  
5595 ORANGE DR. 201  
DAVIE, FL. 33314  
Tel.: (954) 585-0304  
WWW.ENGCOINC.COM



JUL 22 2015

Engineer Seal  
Pedro De Figueiredo - PE 52609

MIAMI-DADE BCCO:

PRODUCT REVISED  
as complying with the Florida  
Building Code  
Acceptance No. 15-0323.05  
Expiration Date 12/24/18  
By *[Signature]*  
Miami Dade Product Control

DATE: 02/19/2015  
SCALE: NA  
DESIGN BY: PPMF

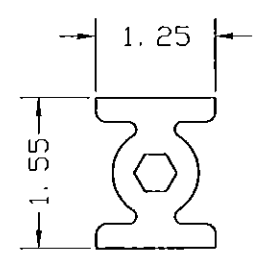
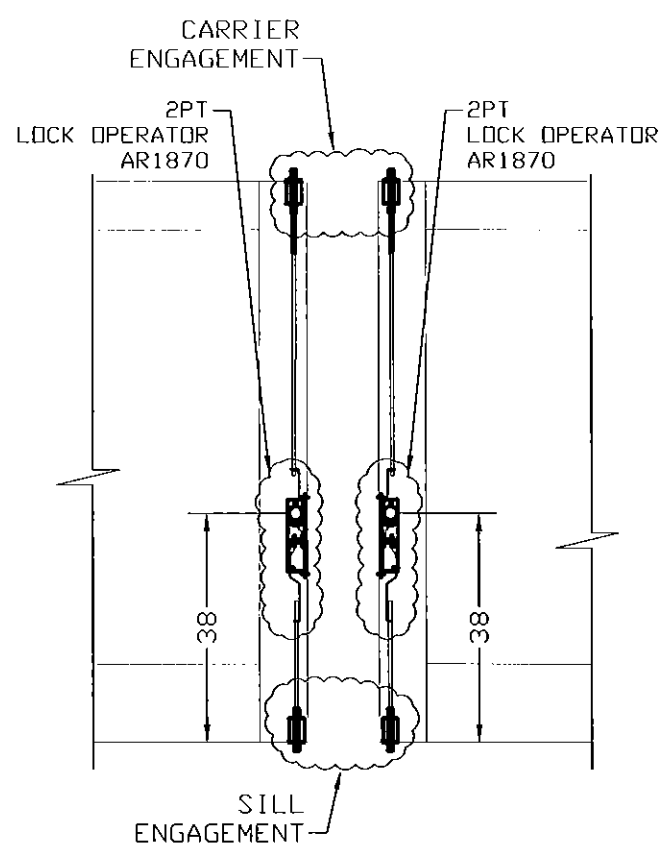
SHEET  
19 OF 21

DRAWING #:  
15-048

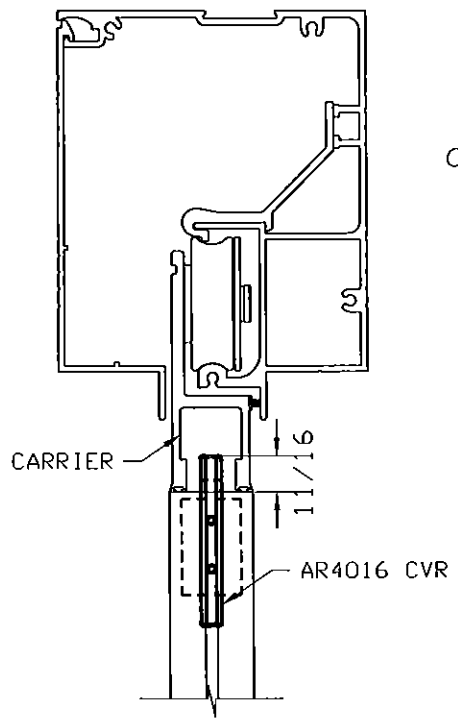
### HARDWARE LOCK OPTION 2

(2X) 2 PT AR MS 1870 LOCK  
WITH TOP AND BOTTOM AR 4015/ 4016 RODS (CVR)  
INTERIOR THUMBTURN OR AR 4550 HANDLE  
2 EXTERNAL KEY CYLINDERS  
2 INDICATORS (BELOW THUMBTURN)

### TYPICAL LOCK PANEL ELEVATION

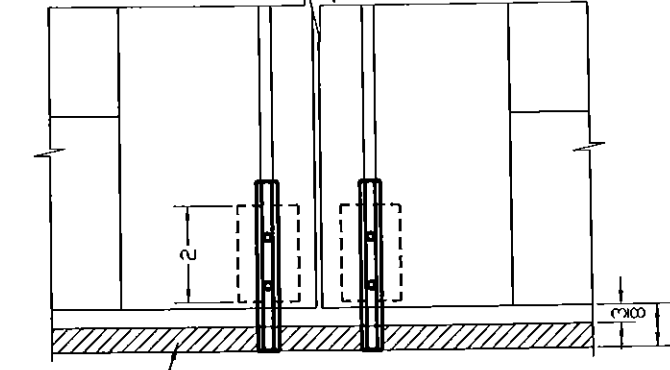
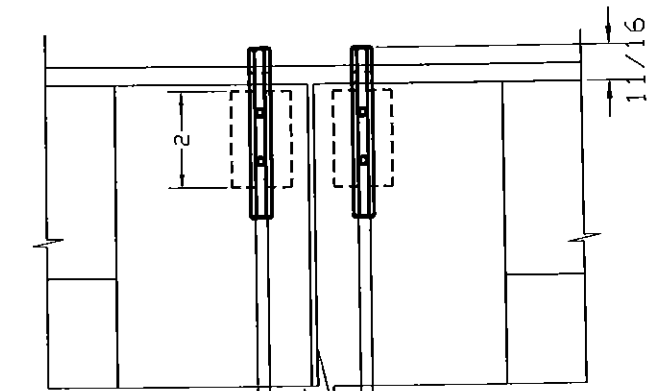
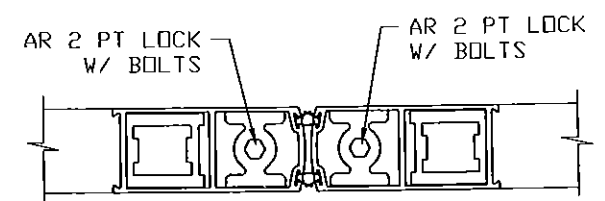


14-13855  
LOCKROD GUIDE  
ALLOY: 6063-T5

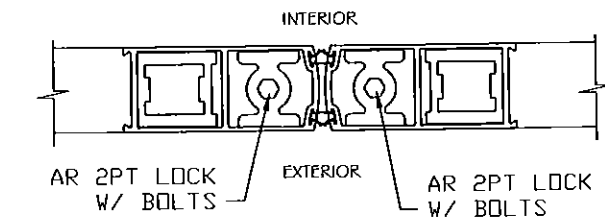


AR 4015 CVR  
SILL ENGAGEMENT

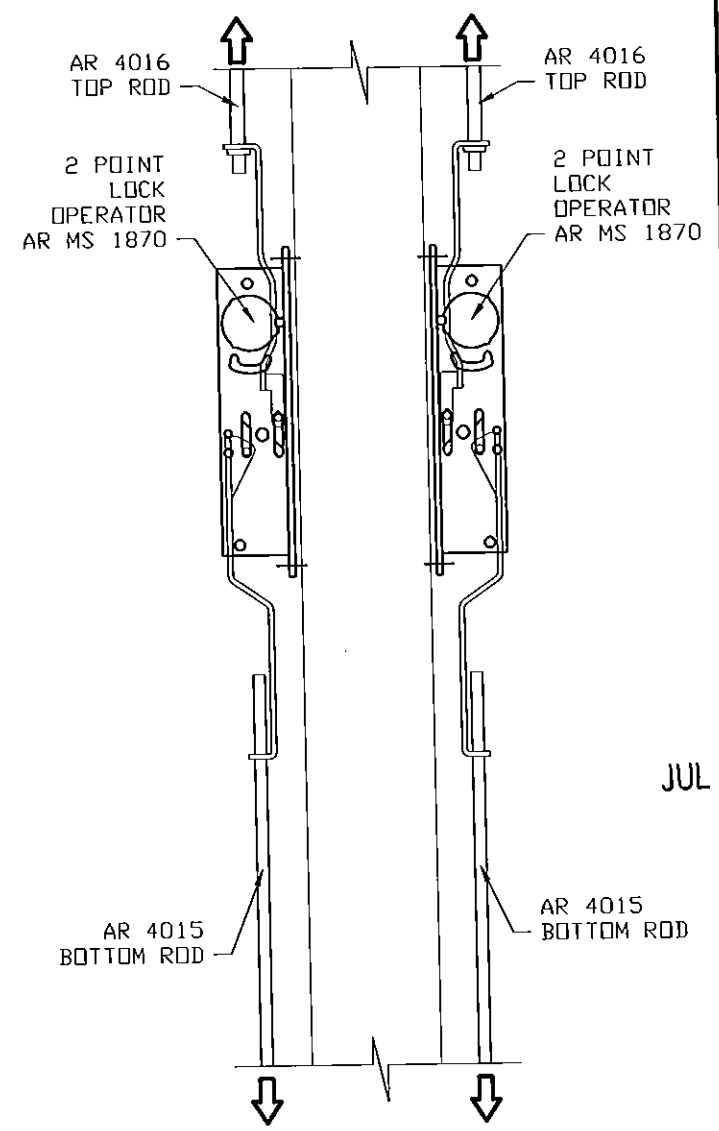
### AR 4016 CVR CARRIER ENGAGEMENT



THRESHOLD



### LOCK OPERATOR



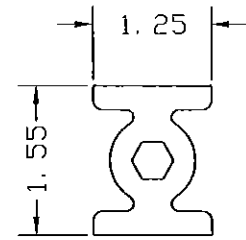
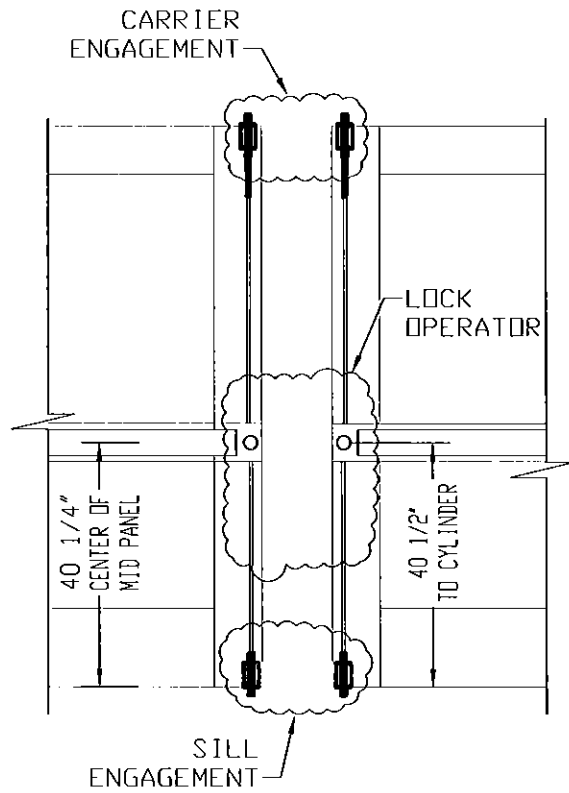
AR 2PT LOCK  
W/ BOLTS  
EXTERIOR  
AR 2PT LOCK  
W/ BOLTS



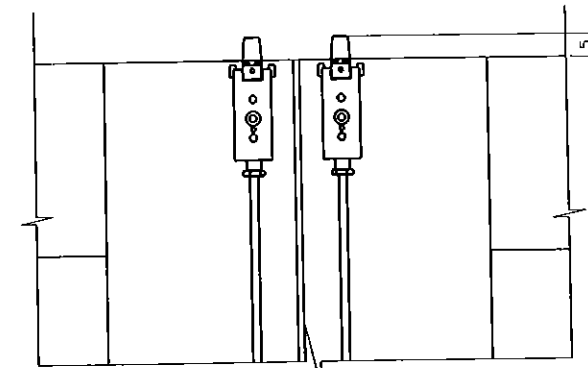
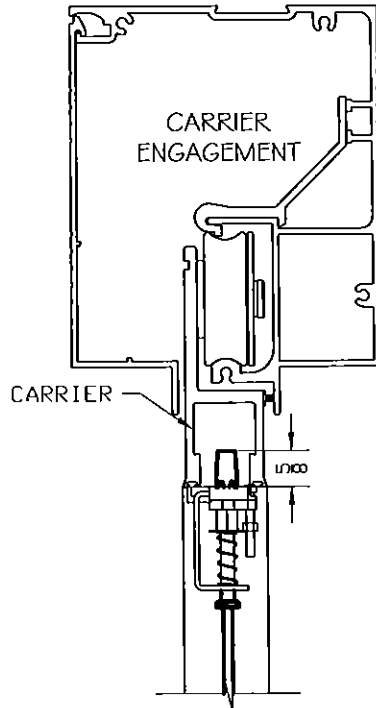
# HARDWARE LOCK OPTION 3

(2X) 2 POINTS G86 PANIC DEVICES  
 2 EXTERNAL KEY CYLINDERS (OPTIONAL)  
 APPLICABLE ONLY FOR FULL OPEN PANELS (FBO MODEL)  
 WITH MID HORIZONTAL RAIL

TYPICAL LOCK  
 PANEL ELEVATION



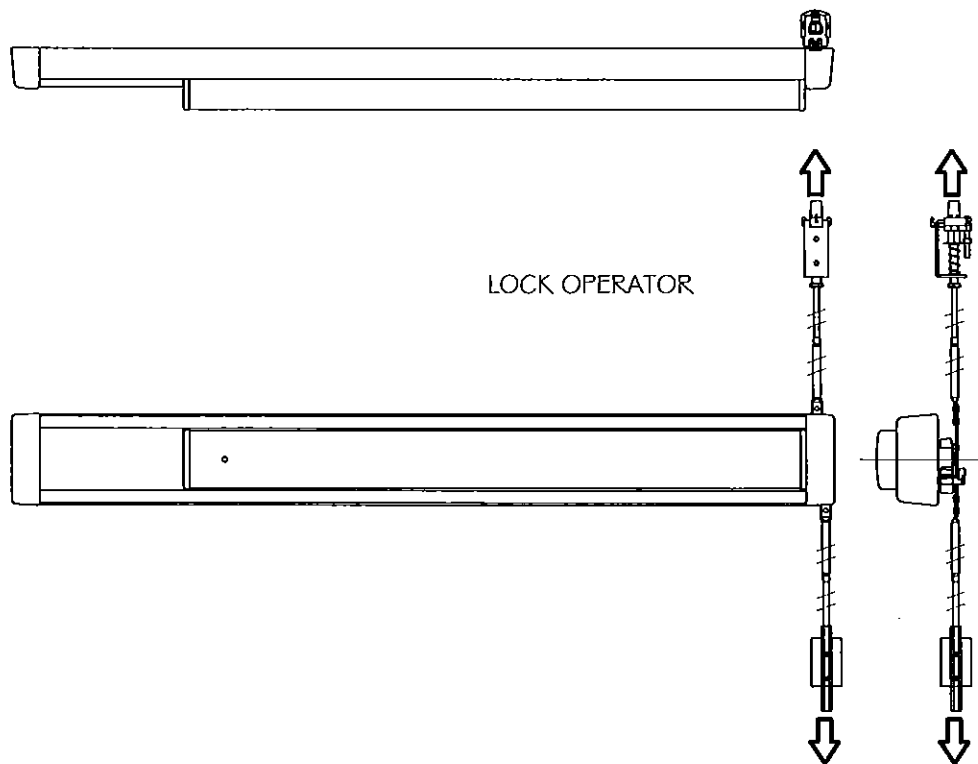
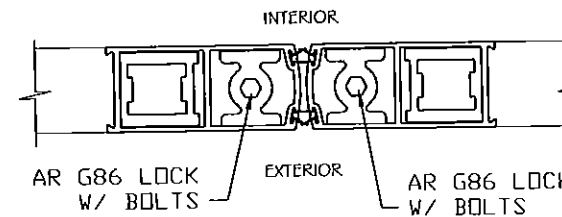
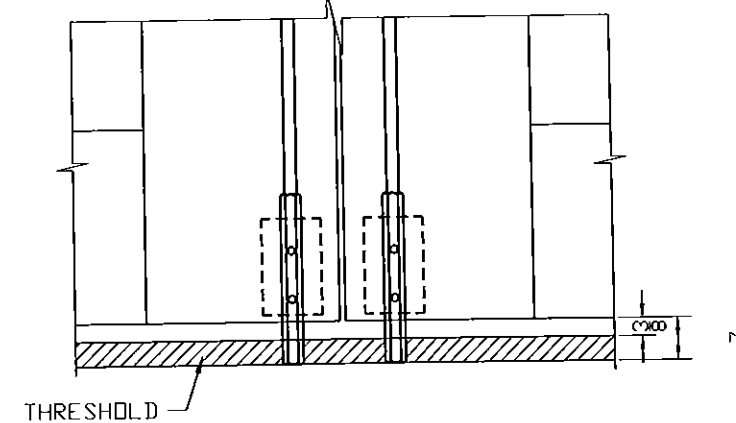
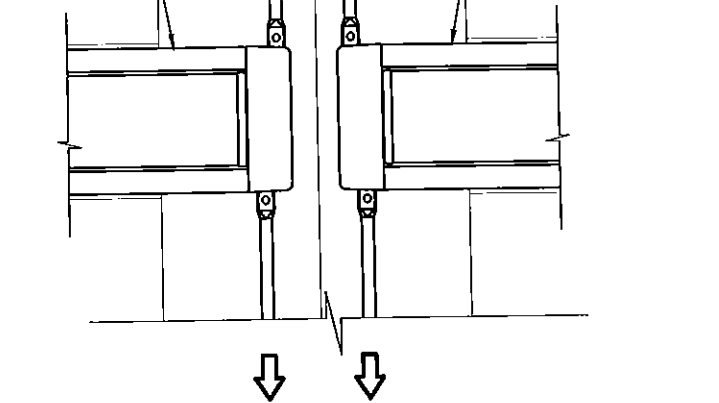
14-13855  
 LOWER LOCKROD GUIDE  
 ALLOY: 6063-T5



G86 PUSH BAR  
 2 POINT LOCK CVR  
 PANIC OPERATOR

G86 PUSH BAR  
 2 POINT LOCK CVR  
 PANIC OPERATOR

LOCK OPERATOR



MANUFACTURER:



NABCO ENTRANCES INC

S82 W18717 GEMINI DRIVE  
 MUSKEGO, WISCONSIN 53150  
 PHONE: (877) 622-2694  
 FAX: (262) 679-2505

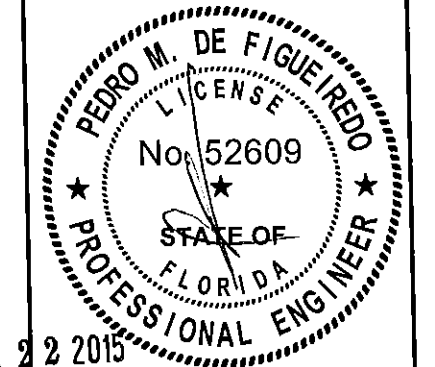
PRODUCT:

SYSTEM GT1175  
 LARGE & SMALL MISSILE  
 IMPACT RATED  
 AUTOMATIC SLIDING GLASS DOOR

ENGINEERING:

ENGCO INC. CA8116

5595 ORANGE DR. 201  
 DAVIE, FL. 33314  
 Tel.: (954) 585-0304  
 WWW.ENGCOINC.COM



JUL 22 2015

Engineer Seal  
 Pedro De Figueiredo - PE 52609

MIAMI-DADE BCCO:

PRODUCT REVISED  
 as complying with the Florida  
 Building Code  
 Acceptance No. 15-0323.05  
 Expiration Date 12/26/18  
 By *Lyng L. Clark*  
 Miami Dade Product Control

DATE: 02/19/2015  
 SCALE: NA  
 DESIGN BY: PPMF

SHEET  
 20 OF 21

DRAWING #:  
 15-048

## BILL OF MATERIAL (BOM)

ITEM	PART #	DESCRIPTION
1	24-13163	EXTRUSION, HEADER, 1 PIECE
2	24-9011	EXTRUSION, COVER, HEADER
3	14-13290	EXTRUSION, SUPPORT, ANTI-RISE
4	24-9870	EXTRUSION, JAMB, POCKETED, 1.75 X 4.50
5	14-9875	EXTRUSION, FILLER, POCKETED JAMB
6	14-13294	EXTRUSION, THRESHOLD, FIXED SIDELITE
7	14-9016	EXTRUSION, THRESHOLD, FULL OPEN
8	14-9017	EXTRUSION, THRESHOLD, RAMP
9	14-13288	EXTRUSION, STILE, 4", SINGLE WEATHERING
10	14-13289	EXTRUSION, STILE, 4", DOUBLE WEATHERING
11	14-13950	EXTRUSION, STIFFENER, STILE
12	14-9359	EXTRUSION, RAIL, 4", TOP
13	24-0328	EXTRUSION, MUNTIN, 4"
14	14-9088	EXTRUSION, RAIL, 6.5"
15	14-5636	EXTRUSION, BRUSH HOLDER
16	24-2967	EXTRUSION, RAIL CLIP
17	14-13855	EXTRUSION, LOCKROD
18	14-9014	EXTRUSION, HANGER
19	14-9015	EXTRUSION, INTERFACE LEG
20	14-13295	EXTRUSION, ENDCAP
21	24-13291	EXTRUSION, GLASS STOP, BASE, HURRICANE
22	24-13292	EXTRUSION, GLASS STOP, TOP, IMPACT GLASS, HURRICANE
30	14-2279-04	PILE, FELT, .25" TALL, .187 WIDE
31	14-2279-05	PILE, FELT, .25" TALL, .270 WIDE W/ ADHESIVE
32	14-8326-05	PILE, FELT, .37" TALL, .270 WIDE
33	14-2279-09	PILE, FELT, .45" TALL, .270 WIDE
34	14-4899-60	BRUSH, NYLON, .73" TALL
35	14-4899-100	BRUSH, NYLON, 1.00" TALL
36	14-3933-02	GASKET, VINYL, 1.00" TALL
37	14-8161	TAPE, FOAM, .25 X .50
38	14-14191	GASKET, WEDGE, .187 FACE CLEARANCE
39	14-13307	GASKET, GLAZING, .150 FACE CLEARANCE
40		ADHESIVE, SILICONE, DOW #995
45	14-9279	T-NUT, TIE ROD
46	14-9225	PLATE, BACKING, TIE ROD
47	14-3624	TIE ROD, 3/8"-16
48	14-0984	CLIP, RAIL, TIE ROD
49	14-14192	CLIP, RAIL, 2.9" LONG
50	24-12002-50	ASM, CARRIER BAR, MEDIUM STILE HURRICANE
51	21-14040	ASM, RETAINER, CARRIER, ECCENTRIC
52	11-10733	ASM, ROLLER, HANGER, 1175
53	21-14035	ASM, ANTI-RISE, HURRICANE
54	24-9483	BLOCK, PANIC CATCH, CARRIER
55	24-9485	BLOCK, PANIC CATCH, TOP RAIL
56	21-14030	ASM, ENDCAP, CARRIER
57	14-14060	BLOCK, GUIDE, LOCKROD
58	14-14062	LOCKROD, 1/4"-20
59	14-14064	LOCKROD, #12-24
60	21-9507	ASM, TOP PIVOT, SWING PANEL
61	14-14038	PIVOT, BOTTOM, SWING PANEL
62	24-14039	PIVOT, FLOOR, SWING PANEL

ITEM	PART #	DESCRIPTION
63	24-2458	BUSHING, BOTTOM PIVOT, SWING PANEL
64	24-14043	INTERLOCK, FEMALE
65	14-14068	BAR, NUT, FEMALE INTERLOCK
66	14-14044	INTERLOCK, MALE
67	14-14033	BAR, NUT, MALE INTERLOCK
68	21-14045	ASM, BOTTOM GUIDE, FULL OPEN
70	14-14055	BRACKET, HEADER, FIXED SIDELITE
71	14-14056	BRACKET, JAMB TUBE, FIXED SIDELITE
72	14-14057	BRACKET, THRESHOLD, FIXED SIDELITE
73	14-14053	PLATE, COVER, FIXED SIDELITE
74	14-14054	PLATE, NUT
75	21-14050	ASM, DOUBLE WHEEL ROLLER, HURRICANE
80	24-13282	ENDCAP, ONE PIECE HEADER
81	24-9022	BRACKET, HEADER, 1175
90	24-0564	LOCK, 3PT, ADAMS RITE MS1850S
91	14-2046	LOCK, 2 PT, ADAMS RITE 1870
92	24-14072	LOCK, PANIC, ADAMS RITE #G86-11-36
93	22-0090	CYLINDER, THUMBTURN
94	22-4495	CYLINDER, KEY
95	12-1400	INDICATOR, EXIT, ADAMS RITE #4089
96	14-14073	KIT, ESCUTCHEON, ADAMS RITE #8651-X-XXX
97	22-10256	ADAMS RITE 4016 TOP ROD CVR
98	22-4412	ADAMS RITE 4015 BOTTOM ROD CVR
100	24-0011-72	SCREW, #10-24 X .38 LONG, FHMS, UNDERCUT
101	24-0011-53	SCREW, #10-32 X .50 LONG, FHMS
102	24-0011-131	SCREW, #10-32 X .50 LONG, FHMS, UNDERCUT
103	24-0012-14	SCREW, #10-32 X .50 LONG, PHMS
104	24-0010-62	SCREW, #10-32 X .63 LONG, SHCS
105	24-0031-24	SCREW, #10 X 1.00 LONG, FHSMS
106	24-0011-70	SCREW, 1/4"-20 X .44 LONG, FHMS, UNDERCUT
107	24-0011-144	SCREW, 1/4"-20 X .63 LONG, FHCS
108	24-0011-13	SCREW, 1/4"-20 X .75 LONG, FHMS
109	24-0010-09	SCREW, 1/4"-20 X .75 LONG, SHCS
110	24-4941-02	SCREW, 1/4"-20 X 1.00 LONG, FHMS, TRI-LOBE
111	24-0014-01	SCREW, 1/4"-20 X 1.00 LONG, HHCS
112	24-0010-16	SCREW, 1/4"-20 X 1.25 LONG, SHCS
113	24-0014-12	SCREW, 1/4"-20 X 1.75 LONG, HHCS
114	24-0014-30	SCREW, 1/4" X .75 LONG, TEKS
116	24-0014-27	SCREW, 3/8"-16 X .75 LONG, HHCS
117	24-0010-43	SCREW, 3/8"-16 X 1.50 LONG, SHCS, LOW HEAD
118	24-0016-20	SETSCREW, 5/16"-18 X .75 LONG
119	24-0016-30	SETSCREW, 5/16"-18 X 1.25 LONG
120	24-0021-27	NUT, 1/4"-20, SQUARE
121	24-0021-35	NUT, 1/4"-20, WHIZLOCK
122	24-0021-21	NUT, 3/8"-16, WHIZLOCK
123	14-8640-01	RIVNUT, 1/4"-20
124	24-0017-46	WASHER, FLAT, 1/4"

ITEMS #23, 24-29, 41-44, 69, 76-79, 82-89, 99 AND 115 ARE NOT USED IN THE BOM

MANUFACTURER:



**NABCO ENTRANCES INC**

S82 W18717 GEMINI DRIVE  
MUSKEGO, WISCONSIN 53150  
PHONE: (877) 622-2694  
FAX: (262) 679-2505

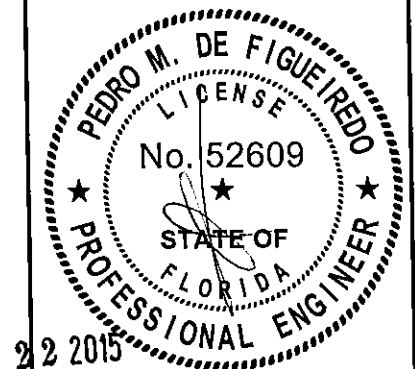
PRODUCT:

**SYSTEM GT1175**  
LARGE & SMALL MISSILE  
IMPACT RATED  
AUTOMATIC SLIDING GLASS DOOR

ENGINEERING:

**ENGCO INC.** CA 8116

5595 ORANGE DR. 201  
DAVIE, FL. 33314  
Tel.: (954) 585-0304  
WWW.ENGCOINC.COM



Engineer Seal  
Pedro De Figueiredo - PE 52609

MIAMI-DADE BCCO:

**PRODUCT REVISED**  
as complying with the Florida  
Building Code  
Acceptance No. 15-0323-05  
Expiration Date DEC 26, 2018  
By [Signature]  
Miami Dade Product Control

DATE: 02/19/2015  
SCALE: NA  
DESIGN BY: PPMF

SHEET  
21 OF 21

DRAWING #:  
15-048